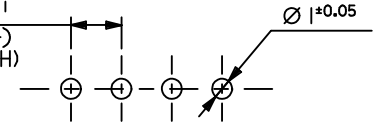


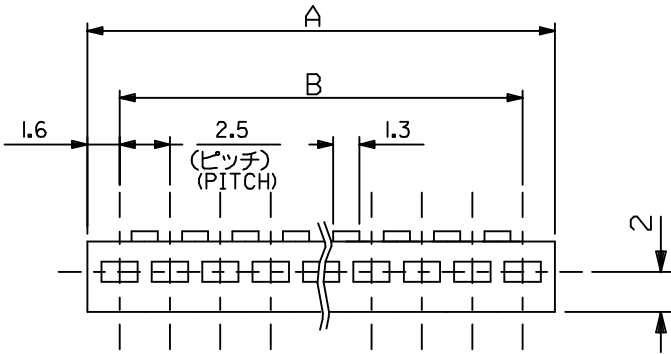
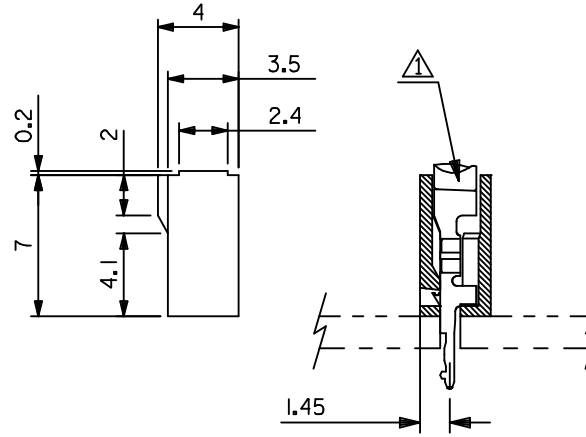
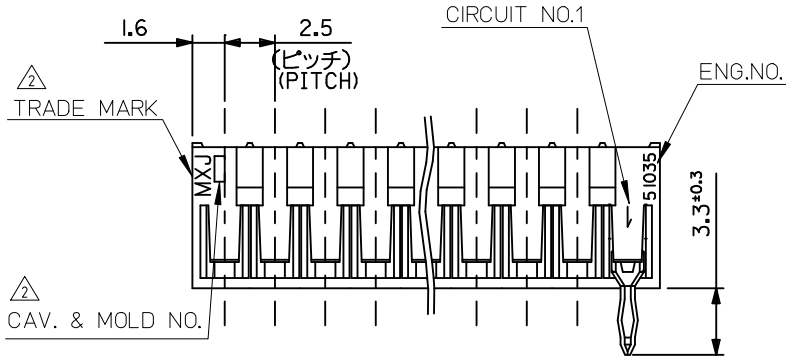
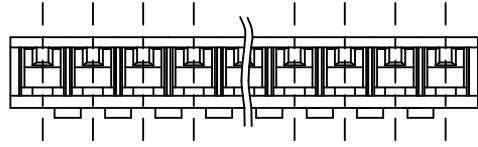
**注記
NOTE**

- △ 適合ターミナル: 500978*00
APPLICABLE: 500978*00
- △ トレードマーク: MXJにて表示。
キャビティー番号: 1桁から2桁の数字にて表示。 金型番号: アルファベット1文字にて表示。
TRADE MARK IS FORMED BY MXJ.
AND BY 1-2 DIGIT NUMBER (TO CAVITY NO.)
AND BY 1 LETTER OD ALPHABET (TO MOLD NO.)
- 3. ELV及びRoHS適合品
ELV AND RoHS COMPLIANT.

(公差非累積)
(NON-ACCUMULATIVE)
2.5^{+0.1}
(ピッチ)
(PITCH)



基板取付穴推奨寸法 (基板厚: 1.6mm)
RECOMMENDED PC BOARD HOLE DIMENSION
(THICKNESS: 1.6mm)



42.5	45.7	51035	1800	18
37.5	40.7	↑	1600	16
35.0	38.2		1500	15
32.5	35.7		1400	14
30.0	33.2		1300	13
27.5	30.7		1200	12
25.0	28.2		1100	11
22.5	25.7		1000	10
20.0	23.2		0900	9
17.5	20.7		0800	8
15.0	18.2		0700	7
12.5	15.7		0600	6
10.0	13.2		0500	5
7.5	10.7		0400	4
5.0	8.2		0300	3
2.5	5.7	51035	0200	2
B	A	ORDER NO.		電 装 部 品 番 号 CKT.

材料 MATERIAL	POLYAMIDE, UL94V-0
適用電線範囲 WIRE RANGE	AWGH24~20,KV0.2~0.5 AVS0.3~0.5
被覆外径 INS. RANGE	φ1.3~2.1

REVISIONS EC NO.: J2016-0744 2016/01/18 DRWN: CHE31 2016/01/18 CHKD: SAKIYAMA 2016/01/27 APPR: KANEKO	GENERAL TOLERANCES (UNLESS SPECIFIED)	DIMENSION STYLE MM ONLY	SCALE 4:1	DESIGN UNITS METRIC	THIRD ANGLE PROJECTION
	10 UNDER ±0.2	DRAWN BY KSANO	DATE 1996/06/30	TITLE 2.5 BOARD IN CONN. HOUSING	
	10 OVER 30 UNDER ±0.25	CHECKED BY MSAKANO	DATE 1996/06/30		
	30 OVER ±0.3	APPROVED BY MENOMOTO	DATE 1996/06/30		
ANGULAR ±3 °	DRAFT WHERE APPLICABLE MUST REMAIN WITHIN DIMENSIONS	MATERIAL NO.	DOCUMENT NO.	SHEET NO.	
		SIZE A3	THIS DRAWING CONTAINS INFORMATION THAT IS PROPRIETARY TO MOLEX INCORPORATED AND SHOULD NOT BE USED WITHOUT WRITTEN PERMISSION		