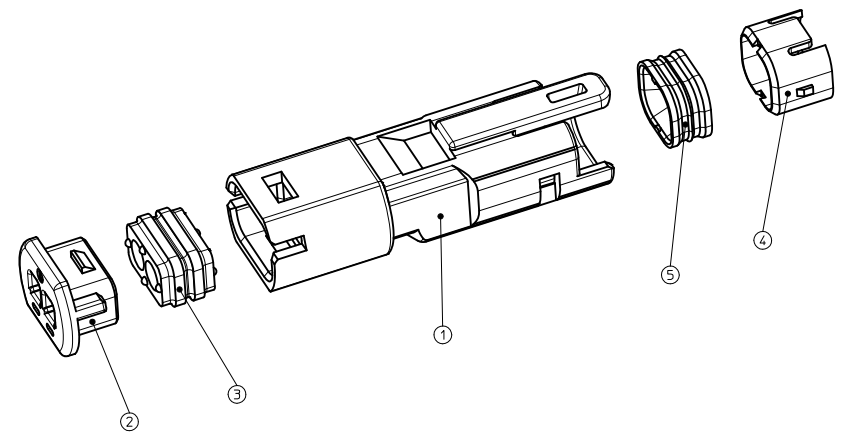


SECTION A-A  
(TERMINAL ASSEMBLY DRAWING)



- NOTES:
1. MATERIAL SEE CHART
  2. GENERAL TOLERANCE PER AS BELOW:  
 UNDER 10: +0.2  
 OVER 10, UNDER 30: +0.25  
 OVER 30: +0.3  
 ANGLE: +3°
  3. PRODUCT SPECIFICATION: PS-52213-003
  4. PACKAGING SPECIFICATION: RPK-52266-001
  5. MATES WITH: 52213-021\*
  6. APPLICABLE CRIMP PIN: 50147-8\*00
  7. APPLICATION SPECIFICATION: AS-52266-001

⑤	SEAL	SILICON	1
④	SEAL STOPPER	PBT GF15%, BLACK	1
③	MATTE SEAL	SILICON	1
②	SEAL COVER	PBT GF15%, BLACK	1
①	PLUG HOUSING	PBT GF15%, BLACK	1
ITEM NO	TITLE	MATERIAL	QTY

<b>REVISED &amp; RELEASED</b> EC NO: JTR2012-0069 DRWN: YM001 CHKD: TAITO APPR: MAYAMOTO	2012/01/18 2012/02/01 2012/02/13	QUALITY SYMBOLS ∇=0 ∇=0 ∇=0	GENERAL TOLERANCES (UNLESS SPECIFIED)		DIMENSION STYLE <b>MM ONLY</b>		SCALE <b>5:1</b>	DESIGN UNITS <b>METRIC</b>	THIRD ANGLE PROJECTION		
					DRAWN BY YM001	DATE 2011/10/18	TITLE <b>2.5 MINI WATERPROOF CONN. ASS'Y</b>				
					4 PLACES ±--- ±--- 3 PLACES ±--- ±--- 2 PLACES ±--- ±--- 1 PLACE ±--- ±---	CHECKED BY TAITO	DATE 2012/02/01				
					ANGULAR ±---°	APPROVED BY MAYAMOTO	DATE 2012/02/13	<b>MOLEX INCORPORATED</b>			
		DRAFT WHERE APPLICABLE MUST REMAIN WITHIN DIMENSIONS	MATERIAL NO. <b>52266-0213</b>		DOCUMENT NO. <b>SD-52266-001</b>		SHEET NO. <b>1 OF 1</b>				
		THIS DRAWING CONTAINS INFORMATION THAT IS PROPRIETARY TO MOLEX INCORPORATED AND SHOULD NOT BE USED WITHOUT WRITTEN PERMISSION									