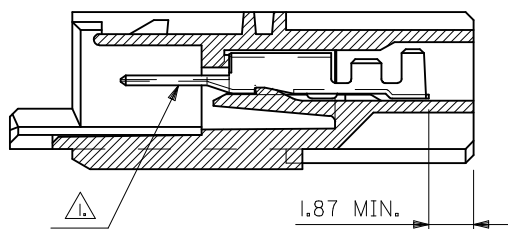
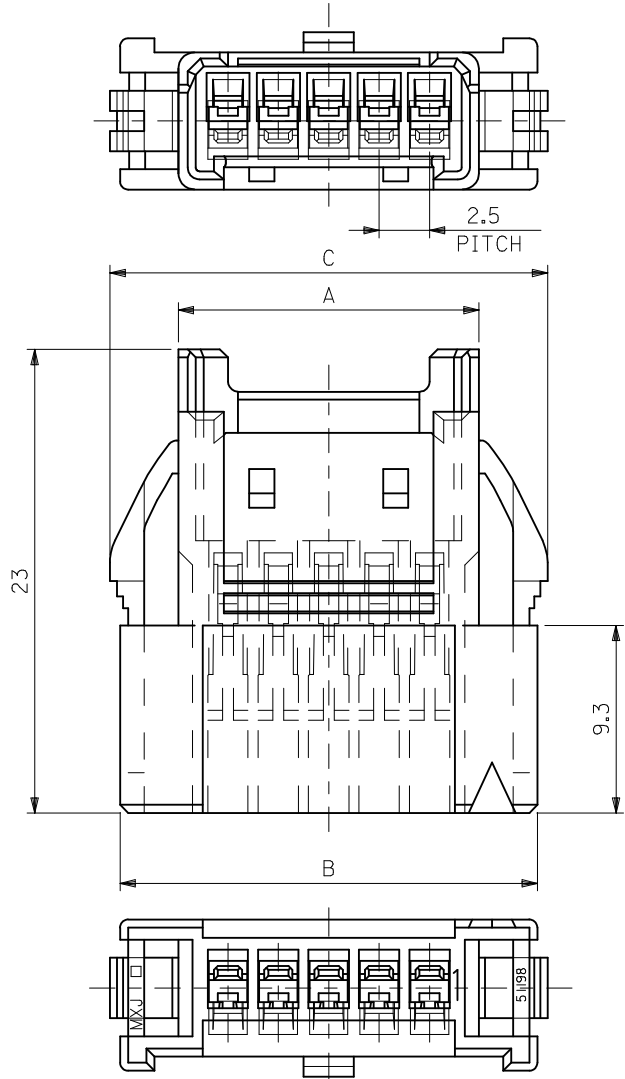
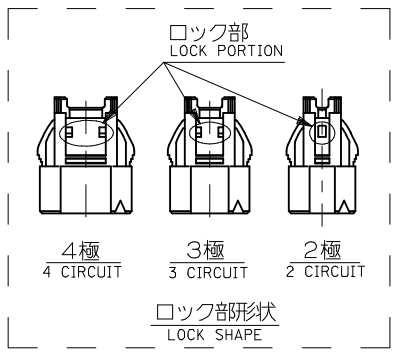


10 9 8 7 6 5 4 3 2 1

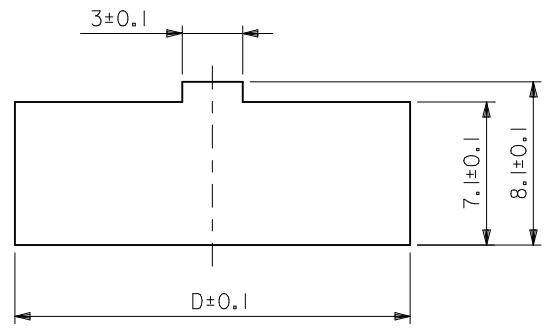


ターミナル装着状態図
TERMINAL ASSEMBLY DRAWING



注記
NOTES.

- △ 適合端子 : 50837-8*00
APPLICABLE TERMINAL
- 2.本図は、5極を示す。
5 CIRCUIT VERSION IS SHOWN
IN THIS DRAWING.
- 3.ハウジングは、パネル打ち抜き側から
挿入すること。
INSERT HOUSING FROM PUNCH
SIDE OF PANEL



参考/パネルスロット寸法
PANEL SLOT DIM.(REF.)
(パネル厚 : 0.8 ~ 2.0)
(THICKNESS : 0.8 ~ 2.0)

| | | | | | |
|------|------|------|------|----------------------|-------------------|
| 44.6 | 46.7 | 45.7 | 39.9 | 51198-1500 | 15 |
| 42.1 | 44.2 | 43.2 | 37.4 | ↑ -1400 | 14 |
| 39.6 | 41.7 | 40.7 | 34.9 | -1300 | 13 |
| 37.1 | 39.2 | 38.2 | 32.4 | -1200 | 12 |
| 32.1 | 34.2 | 33.2 | 27.4 | -1000 | 10 |
| 29.6 | 31.7 | 30.7 | 24.9 | -0900 | 9 |
| 27.1 | 29.2 | 28.2 | 22.4 | -0800 | 8 |
| 24.6 | 26.7 | 25.7 | 19.9 | -0700 | 7 |
| 22.1 | 24.2 | 23.2 | 17.4 | -0600 | 6 |
| 19.6 | 21.7 | 20.7 | 14.9 | -0500 | 5 |
| 17.1 | 19.2 | 18.2 | 12.4 | -0400 | 4 |
| 14.6 | 16.7 | 15.7 | 9.9 | ↓ -0300 | 3 |
| 12.1 | 14.2 | 13.2 | 7.4 | 51198-0200 | 2 |
| D | C | B | A | 製品番号 MATERIAL NO. | NO. OF CIRCUIT |

MATERIAL
ポリエステル(PBT) POLYESTER
色:白 COLOR: WHITE
UL94V-0

| | | | | | | | | | |
|---|--|-----------|--|----------------------------|--|---|------------------------|---------------------------|--|
| REVISED EC NO: J2016-0730 DRWN:HKOBAYASHI 2016/02/02 CHKD:SAKIYAMA 2016/02/02 APPR:TKANEKO 2016/02/22 | GENERAL TOLERANCES (UNLESS SPECIFIED) | | | DIMENSION STYLE MM ONLY | | SCALE 4:1 | DESIGN UNITS METRIC | THIRD ANGLE PROJECTION | |
| | 0.25 UNDER | UNDER | ±0.03 | DRAWN BY M. YAGI | DATE 1998/05/14 | TITLE 2.5 WIRE TO BOARD CONN. PANEL MOUNT HSG | | | |
| | 0.25 OVER | 0.5 UNDER | ±0.05 | CHECKED BY Y. ITO | DATE 1998/05/14 | | | | |
| | 0.5 OVER | 1.0 UNDER | ±0.1 | APPROVED BY HIKESUGI | DATE 1998/05/14 | | | | |
| | 1.0 OVER | 30 UNDER | ±0.25 | MATERIAL NO. | DOCUMENT NO. | SD-51198-002 | | | |
| 30 OVER | | ±0.3 | SEE CHART | | SHEET NO. 1 OF 1 | | | | |
| ANGULAR ±3 ° | | | DRAFT WHERE APPLICABLE MUST REMAIN WITHIN DIMENSIONS | | THIS DRAWING CONTAINS INFORMATION THAT IS PROPRIETARY TO MOLEX ELECTRONIC TECHNOLOGIES, LLC AND SHOULD NOT BE USED WITHOUT WRITTEN PERMISSION | | | | |

9 8 7 6 5 4 3 2 1