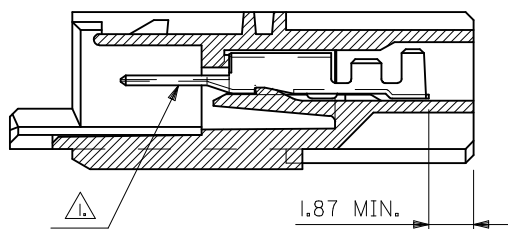
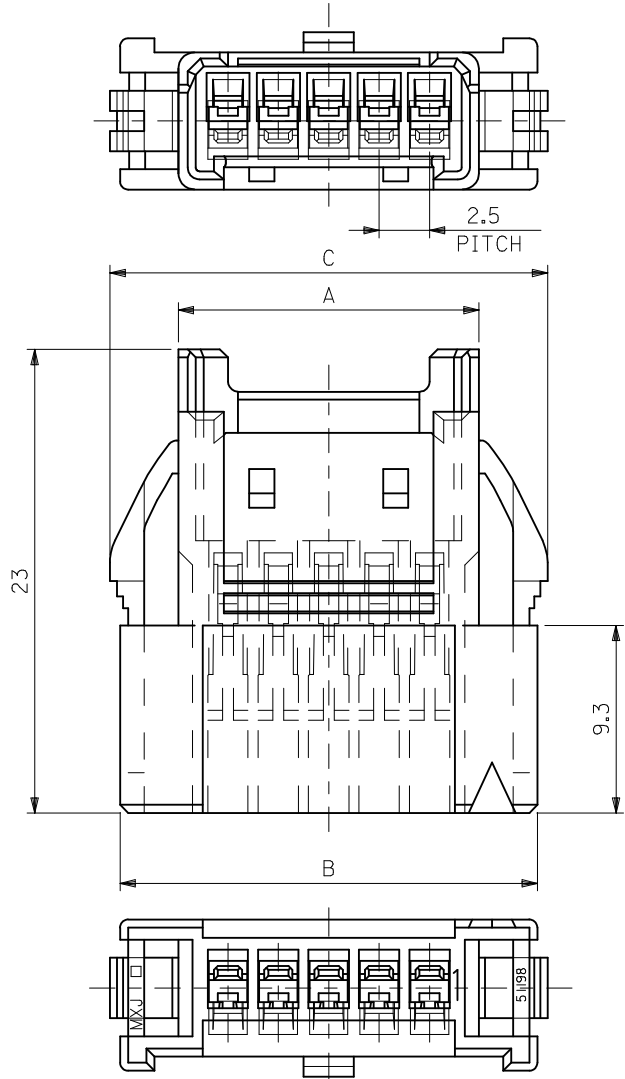
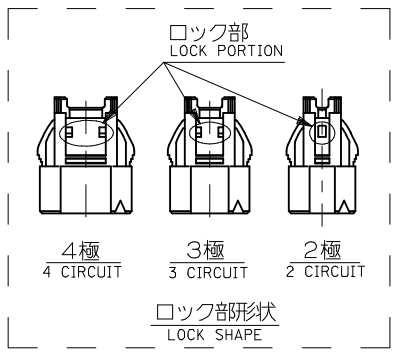


10 9 8 7 6 5 4 3 2 1

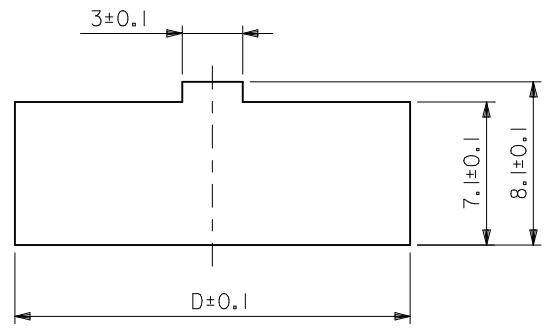


ターミナル装着状態図
TERMINAL ASSEMBLY DRAWING



注記
NOTES.

- △ 適合端子 : 50837-8*00 APPLICABLE TERMINAL
- 2.本図は、5極を示す。
5 CIRCUIT VERSION IS SHOWN IN THIS DRAWING.
- 3.ハウジングは、パネル打ち抜き側から挿入すること。
INSERT HOUSING FROM PUNCH SIDE OF PANEL



参考/パネルスロット寸法
PANEL SLOT DIM.(REF.)
(パネル厚 : 0.8 ~ 2.0)
(THICKNESS : 0.8 ~ 2.0)

44.6	46.7	45.7	39.9	51198-1500	15
42.1	44.2	43.2	37.4	↑ -1400	14
39.6	41.7	40.7	34.9	-1300	13
37.1	39.2	38.2	32.4	-1200	12
32.1	34.2	33.2	27.4	-1000	10
29.6	31.7	30.7	24.9	-0900	9
27.1	29.2	28.2	22.4	-0800	8
24.6	26.7	25.7	19.9	-0700	7
22.1	24.2	23.2	17.4	-0600	6
19.6	21.7	20.7	14.9	-0500	5
17.1	19.2	18.2	12.4	-0400	4
14.6	16.7	15.7	9.9	↓ -0300	3
12.1	14.2	13.2	7.4	51198-0200	2
D	C	B	A	製品番号 MATERIAL NO.	NO. OF CIRCUIT

MATERIAL
ポリエステル(PBT) POLYESTER
色:白 COLOR: WHITE
UL94V-0

REVISED EC NO: J2016-0730 DRWN:HKOBAYASHI 2016/02/02 CHKD:SAKIYAMA 2016/02/02 APPR:TKANEKO 2016/02/22	GENERAL TOLERANCES (UNLESS SPECIFIED)			DIMENSION STYLE MM ONLY		SCALE 4:1	DESIGN UNITS METRIC	THIRD ANGLE PROJECTION	
	0.25 UNDER	UNDER	±0.03	DRAWN BY M. YAGI	DATE 1998/05/14	TITLE 2.5 WIRE TO BOARD CONN. PANEL MOUNT HSG			
	0.25 OVER	0.5 UNDER	±0.05	CHECKED BY Y. ITO	DATE 1998/05/14				
	0.5 OVER	1.0 UNDER	±0.1	APPROVED BY HIKESUGI	DATE 1998/05/14				
	1.0 OVER	30 UNDER	±0.25	MATERIAL NO.	DOCUMENT NO.	SD-51198-002			
30 OVER		±0.3	SEE CHART		SHEET NO. 1 OF 1		THIS DRAWING CONTAINS INFORMATION THAT IS PROPRIETARY TO MOLEX ELECTRONIC TECHNOLOGIES, LLC AND SHOULD NOT BE USED WITHOUT WRITTEN PERMISSION		

9 8 7 6 5 4 3 2 1