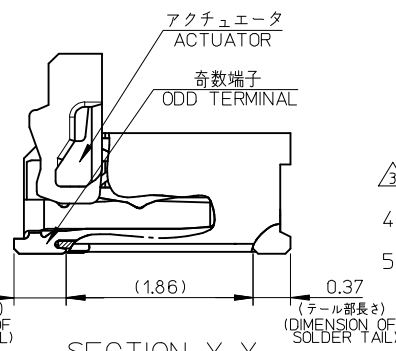
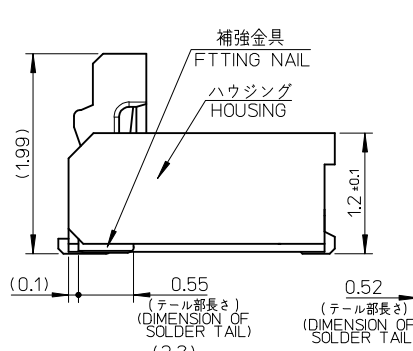
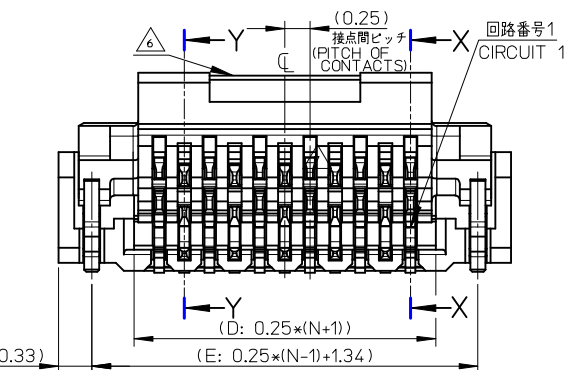
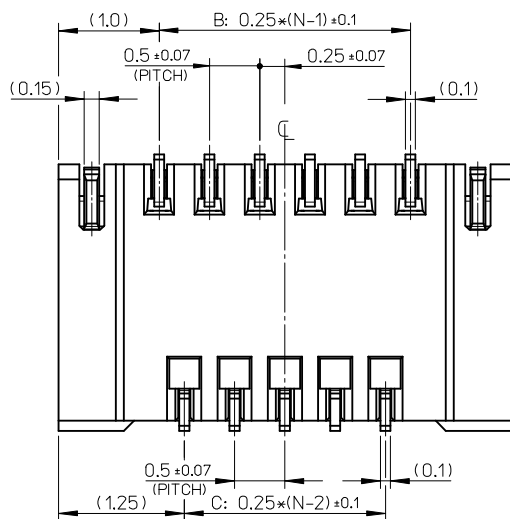
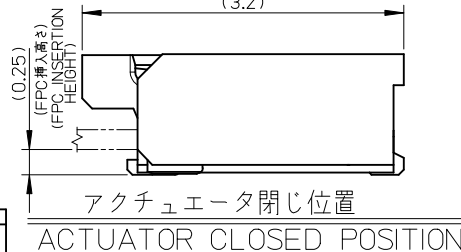


SECTION Y-Y



SECTION X-X



注記 NOTES

1. 使用材料 MATERIALS  
 ハウジング : 液晶ポリマー(UL94V-0、黒色)  
 アクチュエータ : ポリアミド樹脂(UL94V-0、ベージュ)  
 奇数端子 : リン青銅  
 偶数端子 : リン青銅  
 補強金具 : リン青銅  
 HOUSING : G.F. LCP (BLACK)  
 ACTUATOR : G.F. POLYAMIDE (BEIGE)  
 ODD TERMINAL : PHOSPHOR BRONZE  
 EVEN TERMINAL : PHOSPHOR BRONZE  
 FITTING NAIL : PHOSPHOR BRONZE

2. メッキ仕様 PLATING

- 端子 TERMINAL  
 テール部: 金メッキ  
 接点部: 金メッキ0.1μm以上  
 下地: ニッケルメッキ1.0μm以上  
 TAIL AREA: Gold PLATING  
 CONTACT AREA: Gold PLATING 0.1μm MINIMUM  
 UNDER PLATING: Nickel PLATING 1.0μm MINIMUM  
 金具 FITTING NAIL  
 全面: スズメッキ 1.0μm 以上  
 下地: ニッケルメッキ 1.0μm 以上  
 ALL OVER: Tin PLATING 1.0μm MINIMUM  
 UNDER PLATING: Nickel PLATING 1.0μm MINIMUM

△ 端子、補強金具のコプラナリティーは 0.1 以下とする  
 COPLANALITY OF SOLDER TAILS AND FITTING NAILS : 0.1MAX.

4. 一般公差: ±0.3  
 GENERAL TOLERANCES: ±0.3

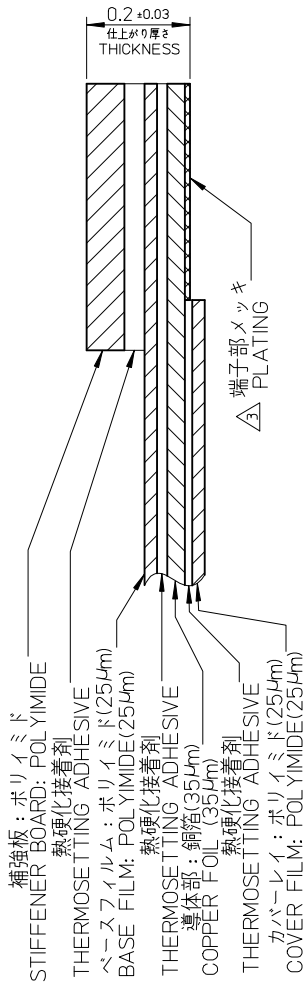
5. ELV 及び RoHS 適合品  
 ELV AND RoHS COMPLIANT

△ ゲート部形状とする  
 本形状は極数により異なります  
 THIS SHAPE IS FOR GATE  
 IT DEPENDS ON THE NUMBER OF CIRCUITS

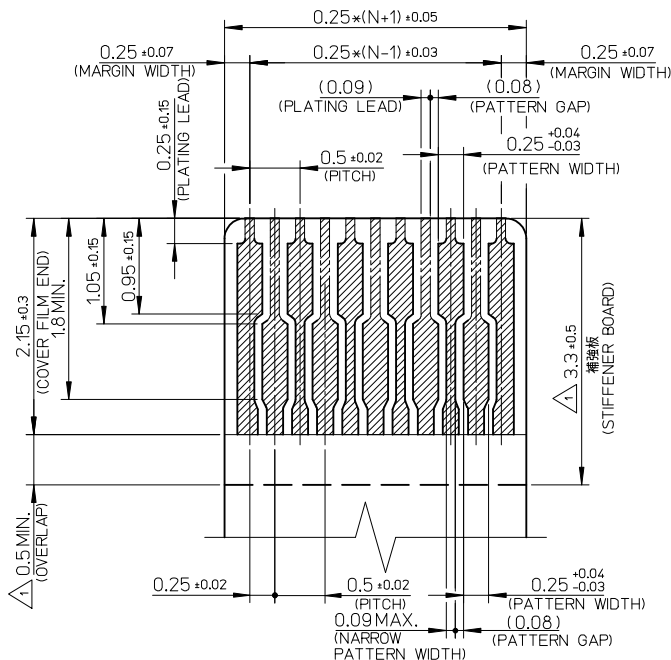
14.34	13.5	12.5	13	15	503300-5310	53
11.84	11	10	10.5	12.5	503300-4310	43
11.34	10.5	9.5	10	12	503300-4110	41
10.34	9.5	8.5	9	11	503300-3710	37
8.84	8	7	7.5	9.5	503300-3110	31
8.34	7.5	6.5	7	9	503300-2910	29
6.34	5.5	4.5	5	7	503300-2110	21
E	D	C	B	A	ORDER NO. EMBOSSED TAPE PACKAGE	CIRCUITS

CONNECTOR SERIES NO. 503300-\*\*18

REVISED EC NO: J2014-1201 DRW: IMORI SHITA 2014/01/29 CHK: KAKAHASHI 2014/01/29 APPR: YNOGAWA 2014/02/07	GENERAL TOLERANCES (UNLESS SPECIFIED)		DIMENSION STYLE	SCALE	DESIGN UNITS	THIRD ANGLE PROJECTION
			MM ONLY	20:1	METRIC	
	10 UNDER	± ---	DRAWN BY	DATE	TITLE	
	10 OVER 30 UNDER	± ---	MNIITA	2010/08/23	0.25 PITCH FPC CONN. E/O HGT=1.2 UPR CONTACT TYPE LOW-HALOGEN	
30 OVER	± ---	CHECKED BY	DATE	DOCUMENT NO.		SHEET NO.
	± ---	SHOSHIKAWA	2010/08/24	SD-503300-001		1 OF 2
	± ---	APPROVED BY	DATE	THIS DRAWING CONTAINS INFORMATION THAT IS PROPRIETARY TO MOLEX INCORPORATED AND SHOULD NOT BE USED WITHOUT WRITTEN PERMISSION		
	± 1°	SHOSHIKAWA	2010/08/27			
ANGULAR	± 1°	MATERIAL NO.				
DRAFT WHERE APPLICABLE MUST REMAIN WITHIN DIMENSIONS		SEE CHART				



FPC 構成材料例  
EXAMPLE OF FPC COMPOSITION MATERIAL

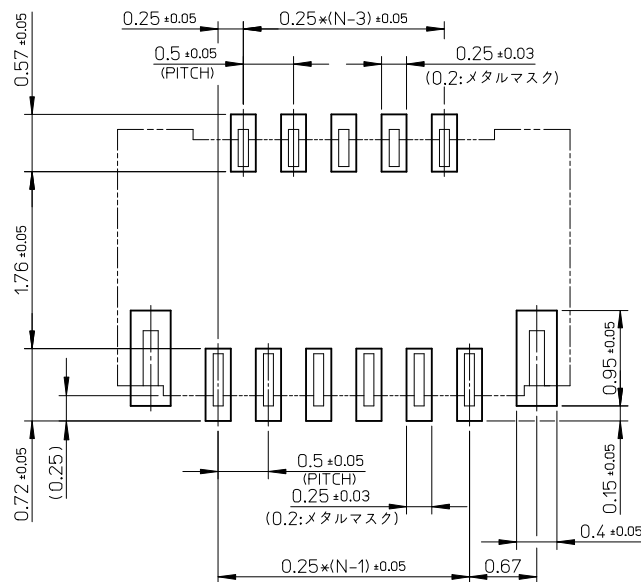


適合するFPC 推奨寸法  
APPLICABLE FPC  
RECOMMENDED DIMENSION

(端子部仕上がり厚さ: 0.2±0.03)  
(THICKNESS: 0.2±0.03)

注記 NOTES

- 補強板長さが図面通り確保できない場合は、カバーレイと補強板のオーバーラップ寸法を 0.5mm 以上としてください  
WHEN STIFFENER BOARD DIMENSION CAN NOT BE SECURE AS DRAWING, PLEASE GIVE THE OVERLAP SIZE OF COVER FILM AND STIFFENER BOARD AS 0.5mm MINIMUM
- 推奨ペースト厚 : 100μm  
推奨マスク開口率 : 80%  
RECOMMEND SCREEN THICKNESS : 100μm  
RECOMMEND SCREEN OPEN RATIO : 80%



- FPCパターンのメッキ仕様は  
金メッキ: 0.14μm以上  
下地ニッケルメッキ: 2~6μm  
FPC PATTERN PLATING  
GOLD PLATING : 0.14μm MINIMUM  
NICKEL UNDER PLATING : 2~6μm

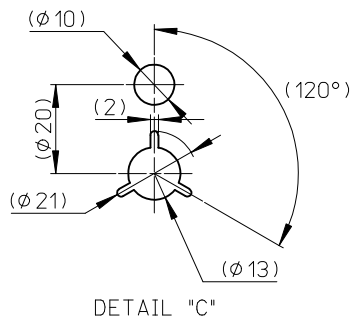
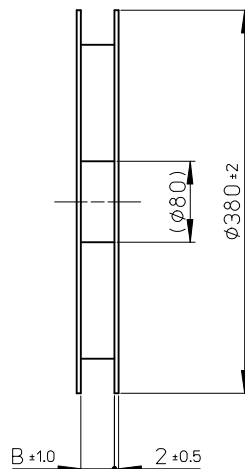
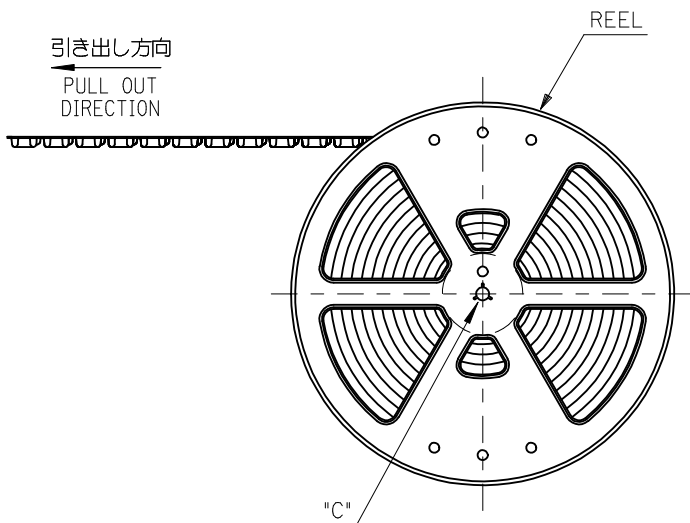
- 4 FPCについて (ABOUT FPC)  
抜き方向は、導体側から補強板側を推奨します  
補強板材質は、ポリイミドを推奨します  
接着剤は熱硬化接着剤を推奨します  
なお、接着剤の接点部への付着は導通不良の原因となりますので染み出しがないよう、お願いします  
RECOMMENDED PUNCHER DIRECTION:  
FROM CONDUCTOR SIDE TO STIFFENER BOARD SIDE  
RECOMMENDED MATERIAL:  
STIFFENER BOARD: POLYIMIDE  
BONDING AGENT: THERMOSETTING AGENT  
PLEASE PUT APPROPRIATE AMOUNT OF ADHESIVE ON THE CONTACT AREA BECAUSE THE EXTRA ADHESIVE MAY CAUSE THE DEFECT IN ELECTRICAL CONTINUITY

REVISED EC NO: J2014-1201 DRWN: MORISHITA 2014/01/29 CHKD: KAKAHASHI 2014/01/29 APPR: YNOGAWA 2014/02/07	GENERAL TOLERANCES (UNLESS SPECIFIED)		DIMENSION STYLE MM ONLY	SCALE 20:1	DESIGN UNITS METRIC	THIRD ANGLE PROJECTION
	10 UNDER	± ---	DRAWN BY MNIITA	DATE 2010/08/23	TITLE 0.25 PITCH FPC CONN. E/O HGT=1.2 UPR CONTACT TYPE LOW-HALOGEN	
	10 OVER 30 UNDER	± ---	CHECKED BY SHOSHIKAWA	DATE 2010/08/24		
	30 OVER	± ---	APPROVED BY SHOSHIKAWA	DATE 2010/08/27		
ANGULAR ±1 °		MATERIAL NO.	SEE SHEET 1	DOCUMENT NO. SD-503300-001	SHEET NO. 2 OF 2	
DRAFT WHERE APPLICABLE MUST REMAIN WITHIN DIMENSIONS		SIZE A3	THIS DRAWING CONTAINS INFORMATION THAT IS PROPRIETARY TO MOLEX INCORPORATED AND SHOULD NOT BE USED WITHOUT WRITTEN PERMISSION			

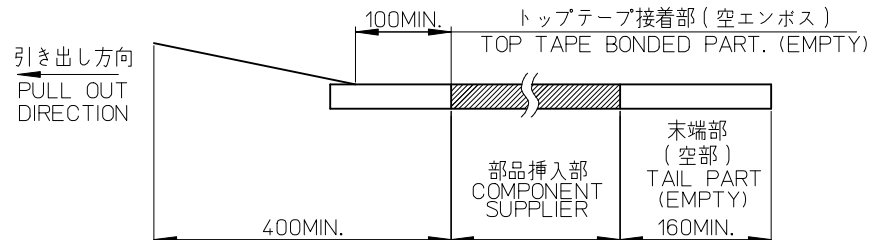
注記 NOTES

- 製品詳細寸法については図面 SD-503300-001 を参照下さい。  
RE DETAILED DIMENSION, SEE SD-503300-001
- 梱包数量: 3000 個/リール  
NUMBER OF CONNECTORS: 3000 PCS/REEL
- リードテープ長さ LEAD TAPE LENGTH

引き出し方向  
PULL OUT  
DIRECTION



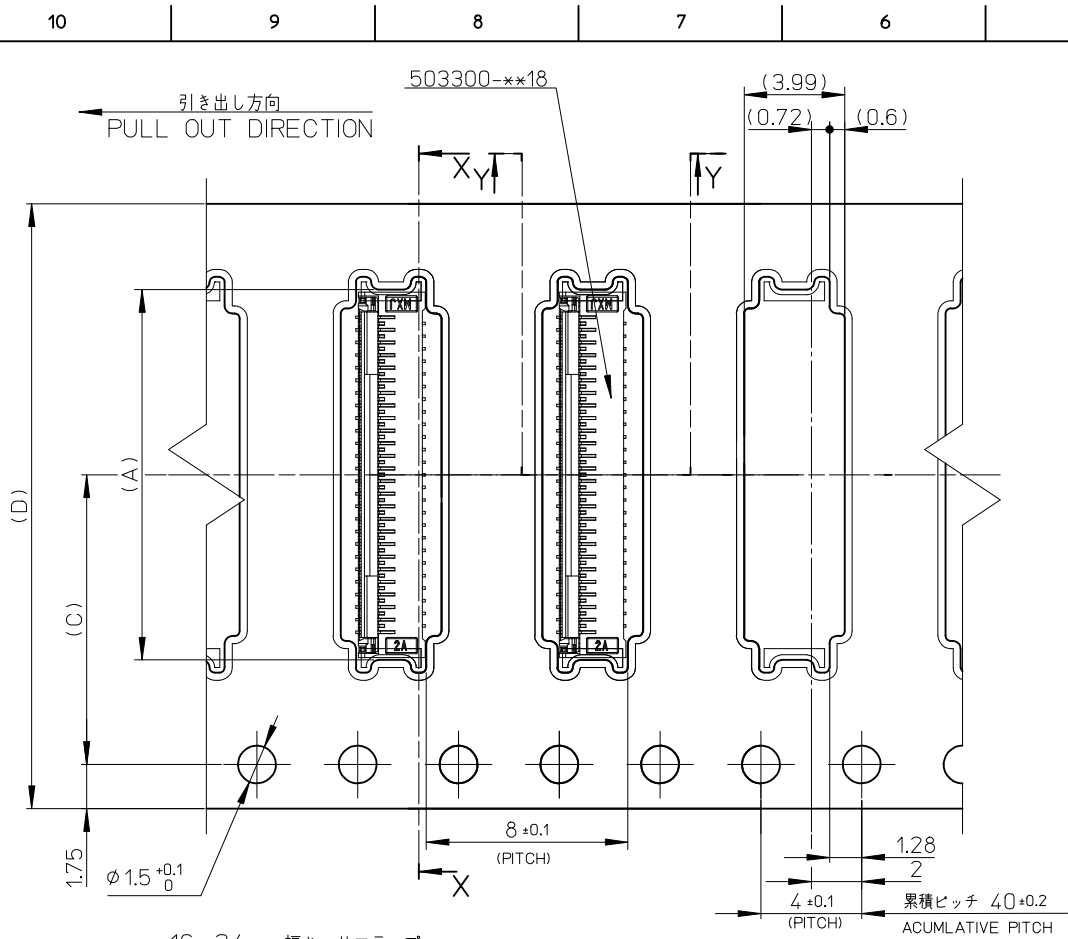
DETAIL "C"



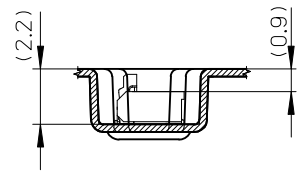
- 材料 MATERIAL  
 キャリアテープ (CARRIER TAPE): ポリスチレン (POLYSTYRENE)  
 トップテープ (TOP TAPE): PET, PE, PEF  
 リール (REEL): ポリスチレン (PS) <リサイクル材を含む>  
 POLYSTYRENE (PS) <RECYCLE MATERIAL CONTAINED>
- カバーテープの剝離強度については、IEC60286-3 に準拠  
 COVER TAPE PEEL FORCE IS DEFINED BY IEC60286-3.

CONNECTOR SERIES NO. 503300-\*\*\*10

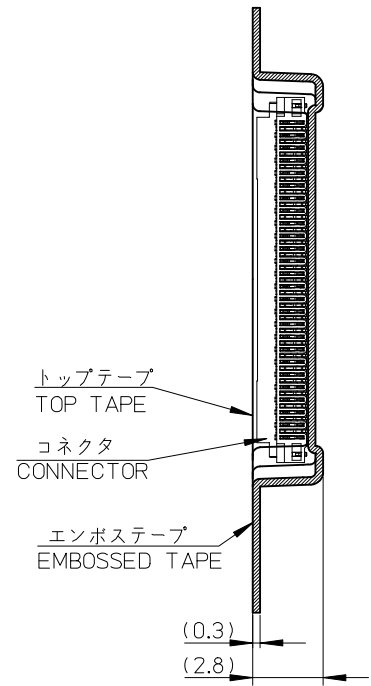
REVISED EC NO: J2014-1201 DRWN: TMORISHITA 2014/01/29 CHKD: KTAKAHASHI 2014/01/29 APPR: YNOGAWA 2014/02/07	GENERAL TOLERANCES (UNLESS SPECIFIED)		DIMENSION STYLE MM ONLY	SCALE ---	DESIGN UNITS METRIC	THIRD ANGLE PROJECTION
	10 UNDER	±0.2	DRAWN BY MNIITA	DATE 2010/08/24	TITLE 0.25MM FPC CONN. E/O H=1.2 HSG ASSY UPR EMBOSSED TAPE PACKAGE	
	10 OVER 30 UNDER	±0.25	CHECKED BY SHOSHIKAWA	DATE 2010/08/24		
	30 OVER	±0.3	APPROVED BY SHOSHIKAWA	DATE 2010/08/27		
ANGULAR	±1 °	MATERIAL NO. SEE CHART		DOCUMENT NO. SD-503300-002	SHEET NO. 1 OF 3	
DRAFT WHERE APPLICABLE MUST REMAIN WITHIN DIMENSIONS		SIZE A3	THIS DRAWING CONTAINS INFORMATION THAT IS PROPRIETARY TO MOLEX INCORPORATED AND SHOULD NOT BE USED WITHOUT WRITTEN PERMISSION			



16, 24mm幅キャリアテープ  
16, 24mm WIDTH CARRIER TAPE



SECTION Y-Y



SECTION X-X

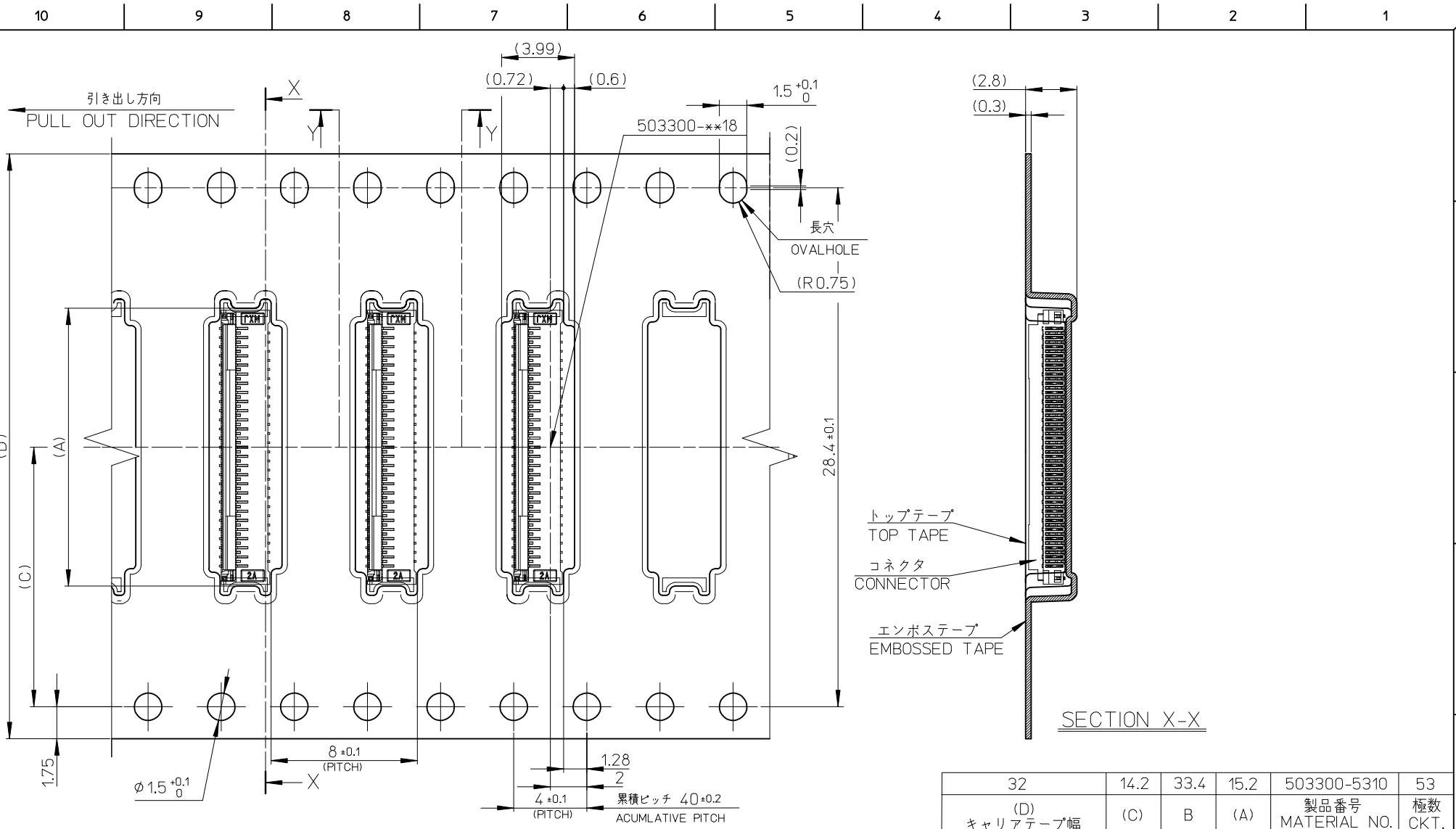
24	11.5	25.4	13.7	503300-4310	43
			13.2	503300-4110	41
			12.2	503300-3710	37
			10.7	503300-3110	31
			10.2	503300-2910	29
			8.2	503300-2110	21
(D) キャリアテープ幅 CARRIER TAPE WIDTH	(C)	B	(A)	オーダー番号 ORDER NO.	極数 CIRCUITS

CONNECTOR SERIES NO. | 503300-\*\*-10

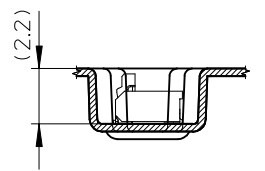
REVISED EC NO: J2014-1201 DRWN: IMORISHITA 2014/01/29 CHKD: TAKAHASHI 2014/01/29 APPR: YNOGAWA 2014/02/07	GENERAL TOLERANCES (UNLESS SPECIFIED)	
	10 UNDER	± 0.2
	10 OVER 30 UNDER	± 0.25
	30 OVER	± 0.3
	ANGULAR	± 1 °
	DRAFT WHERE APPLICABLE MUST REMAIN WITHIN DIMENSIONS	

DIMENSION STYLE MM ONLY	
DRAWN BY MNIITA	DATE 2010/08/24
CHECKED BY SHOSHIKAWA	DATE 2010/08/24
APPROVED BY SHOSHIKAWA	DATE 2010/08/27
MATERIAL NO. SEE CHART	
SIZE A3	THIS DRAWING CONTAINS INFORMATION THAT IS PROPRIETARY TO MOLEX INCORPORATED AND SHOULD NOT BE USED WITHOUT WRITTEN PERMISSION

SCALE ---	DESIGN UNITS METRIC	THIRD ANGLE PROJECTION
TITLE 0.25MM FPC CONN. E/O H=1.2 HSG ASSY UPR EMBOSSSED TAPE PACKAGE		
DOCUMENT NO. SD-503300-002		SHEET NO. 2 OF 3



32mm幅キャリアテープ  
32mm WIDTH CARRIER TAPE



SECTION Y-Y

32	14.2	33.4	15.2	503300-5310	53
(D) キャリアテープ幅 CARRIER TAPE WIDTH	(C)	B	(A)	製品番号 MATERIAL NO.	極数 CKT.
MODEL NO.				503300-**10	
DIMENSION STYLE MM ONLY		SCALE 1:1	DESIGN UNITS METRIC	THIRD ANGLE PROJECTION	

REVISED EC NO: J2014-1201 DRWN: TMORISHITA 2014/01/29 CHKD: TAKAHASHI 2014/01/29 APPR: YNOGAWA 2014/02/07	GENERAL TOLERANCES (UNLESS SPECIFIED)	
	10 UNDER	±0.2
	10 OVER 30 UNDER	±0.25
	30 OVER	±0.3
ANGULAR	±1 °	
DRAFT WHERE APPLICABLE MUST REMAIN WITHIN DIMENSIONS		

DRAWN BY MNIITA	DATE 2012/01/05	TITLE 0.25MM FPC CONN. E/O H=1.2 HSG ASSY UPR EMBOSSED TAPE PACKAGE
CHECKED BY SHOSHIKAWA	DATE 2012/01/05	<b>molex</b>
APPROVED BY SHOSHIKAWA	DATE 2012/01/05	
MATERIAL NO. SEE CHART	DOCUMENT NO. SD-503300-002	SHEET NO. 3 OF 3
THIS DRAWING CONTAINS INFORMATION THAT IS PROPRIETARY TO MOLEX INCORPORATED AND SHOULD NOT BE USED WITHOUT WRITTEN PERMISSION		