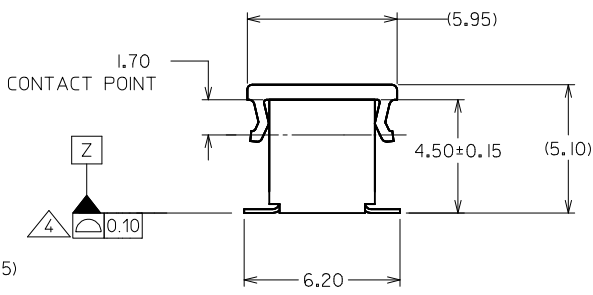
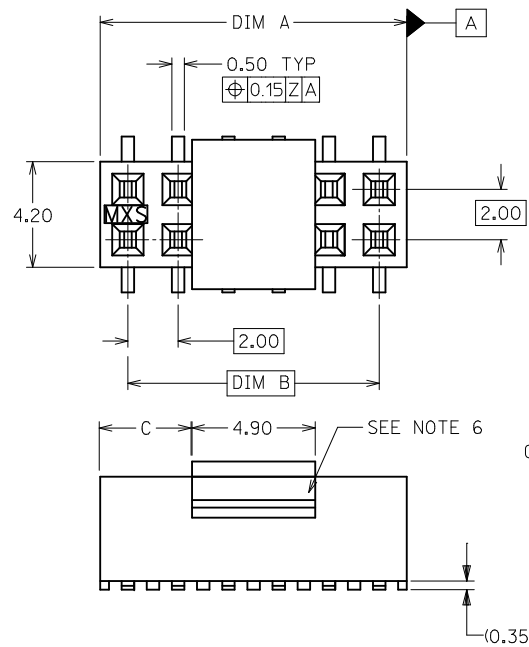
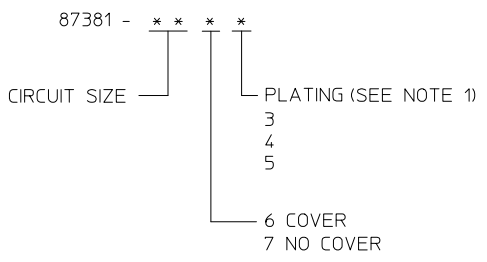


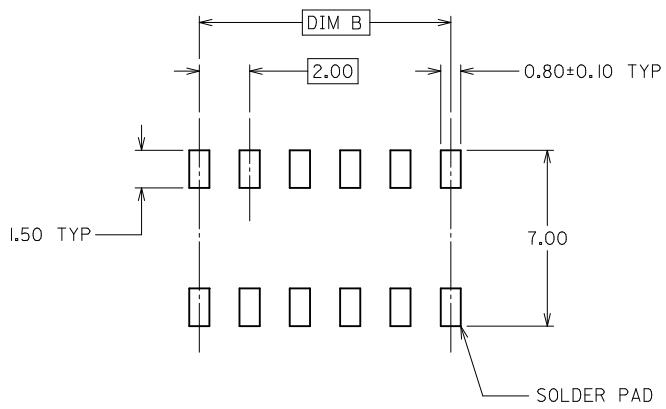
PART NUMBER	CKT. SIZE	DIM A	DIM B	DIM C
87381-06**	6	6.00	4.00	0.55
87381-08**	8	8.00	6.00	1.55
87381-10**	10	10.00	8.00	2.55
87381-12**	12	12.00	10.00	3.55
87381-14**	14	14.00	12.00	4.55
87381-16**	16	16.00	14.00	5.55
87381-18**	18	18.00	16.00	6.55
87381-20**	20	20.00	18.00	7.55
87381-22**	22	22.00	20.00	8.55
87381-24**	24	24.00	22.00	9.55
87381-26**	26	26.00	24.00	10.55
87381-28**	28	28.00	26.00	11.55
87381-30**	30	30.00	28.00	12.55
87381-32**	32	32.00	30.00	13.55
87381-34**	34	34.00	32.00	14.55
87381-36**	36	36.00	34.00	15.55
87381-38**	38	38.00	36.00	16.55
87381-40**	40	40.00	38.00	17.55
87381-42**	42	42.00	40.00	18.55
87381-44**	44	44.00	42.00	19.55
87381-46**	46	46.00	44.00	20.55
87381-48**	48	48.00	46.00	21.55
87381-50**	50	50.00	48.00	22.55

PART NO. LEGEND FOR TUBE PACKAGING ONLY



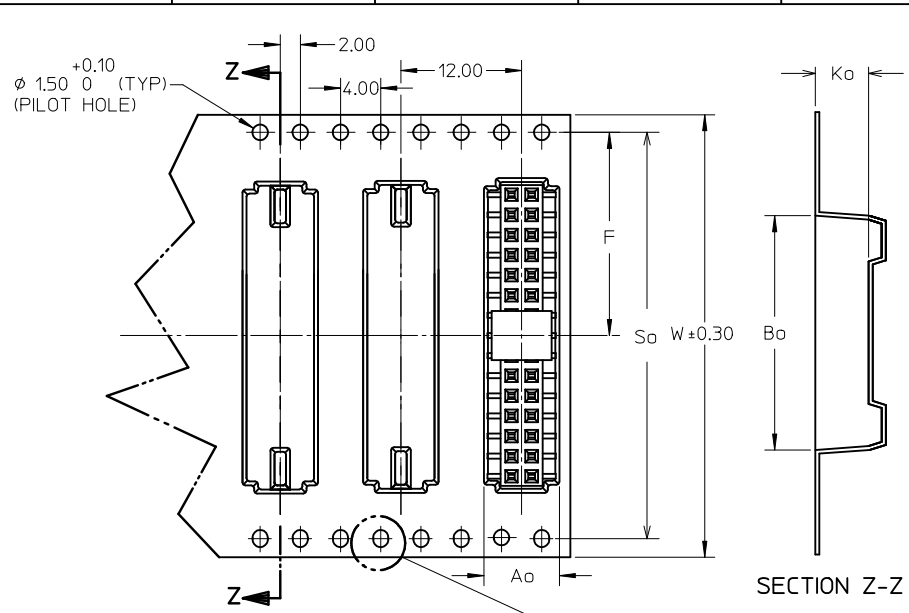
NOTES:

- PLATING FINISH:
 - 3 - 0.76um MIN. GOLD IN CONTACT AREA 1.27um MIN. TIN IN SOLDER TAIL AREA BOTH OVER 1.27um MIN. NICKEL OVERALL
 - 4 - 0.38um MIN. GOLD IN CONTACT AREA 1.27um MIN. TIN IN SOLDER TAIL AREA BOTH OVER 1.27um MIN. NICKEL OVERALL
 - 5 - 0.05um MIN. GOLD FLASH IN CONTACT AREA 1.90um MIN. TIN IN SOLDER TAIL AREA BOTH OVER 1.27um MIN. NICKEL OVERALL
- 12 CKT SIZE SHOWN FOR ASSY ILLUSTRATION ONLY. (SEE CHART FOR ALL PART SIZES), 6 CKT & 30 CKT ILLUSTRATED FOR TAPE/REEL VERSION ON SHT 2.
- PRODUCT SPECIFICATION PS-87380 APPLIES.
- COPLANARITY OF SOLDER TAILS ARE TO BE MEASURED BY RESTING THE PART ON A FLAT GAUGE SURFACE ↑+0.05 UPWARDS AND ↓-0.05 DOWNWARDS.
- TUBE PACKAGING STANDARD.
- COVER IS OPTIONAL, SEE LEGEND.
- PARTS SHALL BE PACKED IN MOISTURE BARRIER BAG.
- REFER SHT 3 FOR P/N: 87381-6000 T&R ILLUSTRATION.

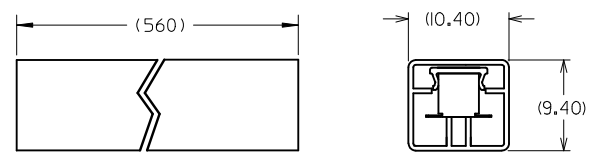


RECOMMENDED PCB LAYOUT

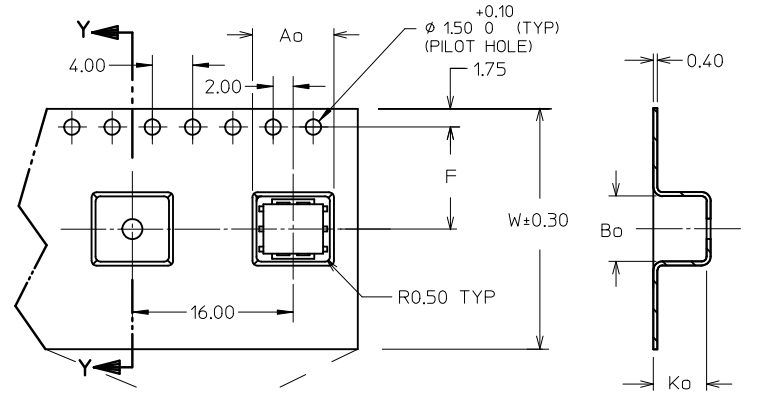
REVISE NOTE 4. EC NO: S2012-0026 DRWN:SKANG 2011/07/29 CHKD:ATSEE 2011/08/03 APPR:MLONG 2011/08/03	QUALITY SYMBOLS	GENERAL TOLERANCES (UNLESS SPECIFIED)		DIMENSION STYLE	SCALE	DESIGN UNITS	THIRD ANGLE PROJECTION
	$F_{\Delta} = 0$	mm	INCH	MM ONLY	NTS	METRIC	
	$F_{\square} = 0$	4 PLACES ± --- ± ---	3 PLACES ± --- ± ---	DRAWN BY	DATE	TITLE	
	$F_{\nabla} = 0$	2 PLACES ± 0.20 ± ---	1 PLACE ± --- ± ---	JAMES	1998/01/08	MGRID, TOP ENTRY RECEPT. 4.50MM HT., SMT	
	ANGULAR ± 3 °	DRAFT WHERE APPLICABLE MUST REMAIN WITHIN DIMENSIONS		CHECKED BY	DATE	MOLEX INCORPORATED	
				LCHANG	1999/04/23	SD-87381-***6*	
				APPROVED BY	DATE	SHEET NO. 1 OF 4	
				SQUEK	1999/04/26		
				MATERIAL NO.	DOCUMENT NO.		
				SEE TABLE			
				THIS DRAWING CONTAINS INFORMATION THAT IS PROPRIETARY TO MOLEX INCORPORATED AND SHOULD NOT BE USED WITHOUT WRITTEN PERMISSION			



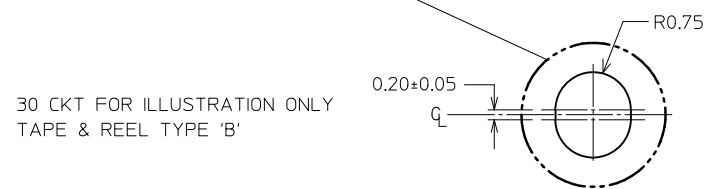
CONNECTOR ORIENTATION IN TUBE



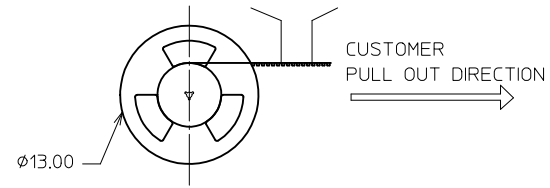
SECTION Z-Z



SECTION Y-Y



30 CKT FOR ILLUSTRATION ONLY TAPE & REEL TYPE 'B'



6 CKT FOR ILLUSTRATION ONLY TAPE & REEL TYPE 'A'

NOTES:

- LEADER AND TRAILER TAPE
- PEELING OFF FORCE OF THE TOP TAPE: 20-80gf. (PEELING DIRECTION AS SHOWN IN FOLLOWING FIGURE)
- PACKAGING STANDARD IS AS PER EIA-481.
- TAPE & REEL QUANTITY = SEE TABLE

REVISE NOTE 4. EC NO: S2012-0026 DRWN:SKANG CHKD:ATSEE APPR:MLONG	2011/07/29	2011/08/03	2011/08/03
	DRWN:SKANG	CHKD:ATSEE	APPR:MLONG
	DESCRIPTION	QUALITY SYMBOLS	
	REV		

GENERAL TOLERANCES (UNLESS SPECIFIED)	mm	INCH
	4 PLACES ± ---	± ---
	3 PLACES ± ---	± ---
	2 PLACES ± 0.20	± ---
	1 PLACE ± ---	± ---
	ANGULAR ± 3 °	
DRAFT WHERE APPLICABLE MUST REMAIN WITHIN DIMENSIONS		

DIMENSION STYLE MM ONLY	
DRAWN BY JAMES	DATE 1998/01/08
CHECKED BY LCHANG	DATE 1999/04/23
APPROVED BY SQUEK	DATE 1999/04/26
MATERIAL NO. SEE TABLE	
SIZE A3	

SCALE NTS	DESIGN UNITS METRIC	THIRD ANGLE PROJECTION
TITLE MGRID, TOP ENTRY RECEPT. 4.50MM HT., SMT		
MOLEX INCORPORATED		SHEET NO. 2 OF 4
DOCUMENT NO. SD-87381-***6*		
THIS DRAWING CONTAINS INFORMATION THAT IS PROPRIETARY TO MOLEX INCORPORATED AND SHOULD NOT BE USED WITHOUT WRITTEN PERMISSION		

10 9 8 7 6 5 4 3 2 1

F

E

D

C

B

A

F

E

D

C

B

A

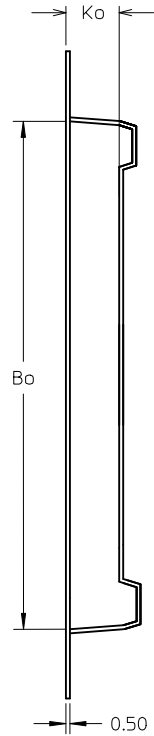
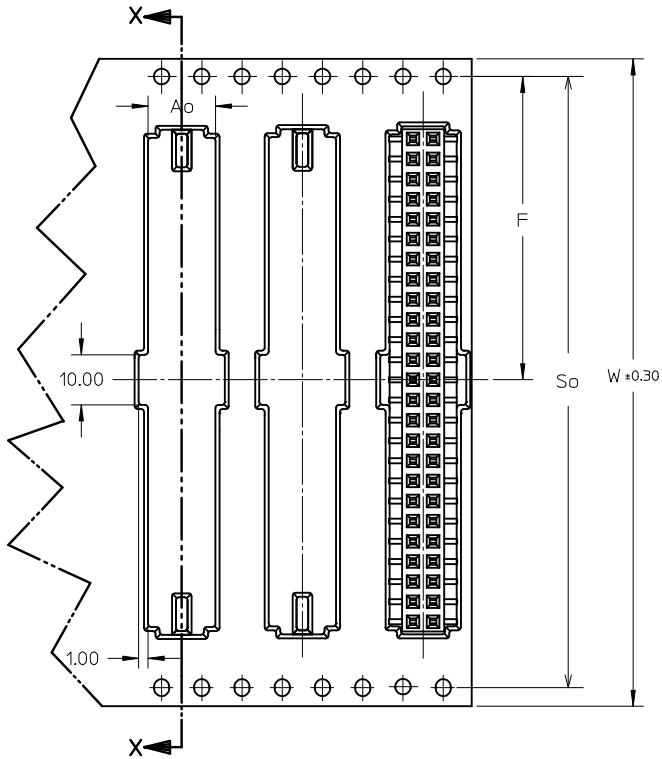
CKT SIZE	PART NO. WITH CAP IN TUBE	PART NO. WITH CAP IN TAPE / REEL	W	So	Ao	F	Bo	Ko	T&R TYPE (SHT 2)	T&R QTY PER REEL
6	87381-0664	87381-9002	24	-	7.00	11.50	6.50	5.30	A	500
8	87381-0864	87381-9003	24	-	7.00	11.50	8.50	5.30	A	600
10	87381-1064	87381-9005	24	-	7.00	11.50	10.50	5.30	A	680
14	87381-1464	87381-9006	32	28.40	7.20	14.20	14.50	5.30	B	750
16	87381-1664	87381-9004	32	28.40	7.20	14.20	16.50	5.30	B	800
18	87381-1864	87381-1800	32	28.40	7.20	14.20	18.50	5.30	B	750
20	87381-2063	87381-2000	32	28.40	7.20	14.20	20.50	5.30	B	800
22	87381-2264	87381-2200	44	40.40	7.20	20.20	22.50	5.30	B	500
30	87381-3064	87381-3000	44	40.40	7.20	20.20	30.50	5.30	B	500
32	87381-3264	87381-3200	44	40.40	7.20	20.20	32.50	5.30	B	500
34	87381-3464	87381-3400	56	52.40	7.20	26.20	34.50	5.30	B	500
44	87381-4464	87381-4400	56	52.40	7.20	26.20	44.50	5.30	B	500
46	87381-4664	87381-4600	72	68.40	7.20	34.20	46.50	5.30	B	750
50	87381-5063	87381-5030	72	68.40	7.20	34.20	50.50	5.30	B	500
50	87381-5064	87381-5000	72	68.40	7.20	34.20	50.50	5.30	B	500

REVISE NOTE 4. EC NO: S2012-0026 DRWN:SKANG 2011/07/29 CHKD:ATSEE 2011/08/03 APPR:MLONG 2011/08/03	QUALITY SYMBOLS	GENERAL TOLERANCES (UNLESS SPECIFIED)		DIMENSION STYLE MM ONLY		SCALE NTS	DESIGN UNITS METRIC	THIRD ANGLE PROJECTION	
	$\nabla_A = 0$	mm	INCH	DRAWN BY JAMES	DATE 1998/01/08	TITLE MGRID, TOP ENTRY RECEPT. 4.50MM HT., SMT			
	$\nabla_C = 0$	4 PLACES ± ---	± ---	CHECKED BY LCHANG	DATE 1999/04/23	MOLEX INCORPORATED			
	$\nabla_P = 0$	3 PLACES ± ---	± ---	APPROVED BY SQUEK	DATE 1999/04/26				
	2 PLACES ± 0.20	± ---	MATERIAL NO. SEE TABLE		DOCUMENT NO. SD-87381-***6*	SHEET NO. 3 OF 4			
	1 PLACE ± ---	± ---	DRAFT WHERE APPLICABLE MUST REMAIN WITHIN DIMENSIONS		THIS DRAWING CONTAINS INFORMATION THAT IS PROPRIETARY TO MOLEX INCORPORATED AND SHOULD NOT BE USED WITHOUT WRITTEN PERMISSION				

9 8 7 6 5 4 3 2 1

CKT SIZE	PART NO. WITHOUT CAP IN TUBE	PART NO. WITHOUT CAP IN TAPE / REEL	W	So	Ao	F	Bo	Ko	T&R TYPE (SHT 2)	T&R QTY PER REEL
50	87381-5074	87381-6000 $\triangle/8$	72	68.40	6.80	34.20	50.50	8.00	B	500

ILLUSTRATION FOR P/N: 87381-6000
50 CKT IN T&R W/O CAP



SECTION X-X

REVISE NOTE 4. EC NO: S2012-0026 DRWN:SKANG 2011/07/29 CHKD:ATSEE 2011/08/03 APPR:MLONG 2011/08/03	QUALITY SYMBOLS	GENERAL TOLERANCES (UNLESS SPECIFIED)	DIMENSION STYLE	SCALE	DESIGN UNITS	THIRD ANGLE PROJECTION																
	$\nabla_A = 0$ $\nabla_C = 0$ $\nabla_P = 0$	<table border="1"> <thead> <tr> <th></th> <th>mm</th> <th>INCH</th> </tr> </thead> <tbody> <tr> <td>4 PLACES</td> <td>± ---</td> <td>± ---</td> </tr> <tr> <td>3 PLACES</td> <td>± ---</td> <td>± ---</td> </tr> <tr> <td>2 PLACES</td> <td>± 0.20</td> <td>± ---</td> </tr> <tr> <td>1 PLACE</td> <td>± ---</td> <td>± ---</td> </tr> </tbody> </table>		mm	INCH	4 PLACES	± ---	± ---	3 PLACES	± ---	± ---	2 PLACES	± 0.20	± ---	1 PLACE	± ---	± ---	MM ONLY	NTS	METRIC		
		mm	INCH																			
	4 PLACES	± ---	± ---																			
3 PLACES	± ---	± ---																				
2 PLACES	± 0.20	± ---																				
1 PLACE	± ---	± ---																				
DESCRIPTION	<table border="1"> <thead> <tr> <th>DRAWN BY</th> <th>DATE</th> <th>TITLE</th> </tr> </thead> <tbody> <tr> <td>JAMES</td> <td>1998/01/08</td> <td rowspan="2">MGRID, TOP ENTRY RECEPT. 4.50MM HT., SMT</td> </tr> <tr> <td>LCHANG</td> <td>1999/04/23</td> </tr> <tr> <th>APPROVED BY</th> <th>DATE</th> <td></td> </tr> <tr> <td>SQUEK</td> <td>1999/04/26</td> <td></td> </tr> </tbody> </table>	DRAWN BY	DATE	TITLE	JAMES	1998/01/08	MGRID, TOP ENTRY RECEPT. 4.50MM HT., SMT	LCHANG	1999/04/23	APPROVED BY	DATE		SQUEK	1999/04/26		<table border="1"> <thead> <tr> <th>MATERIAL NO.</th> <th>DOCUMENT NO.</th> <th>SHEET NO.</th> </tr> </thead> <tbody> <tr> <td>SEE TABLE</td> <td>SD-87381-***6*</td> <td>4 OF 4</td> </tr> </tbody> </table>	MATERIAL NO.	DOCUMENT NO.	SHEET NO.	SEE TABLE	SD-87381-***6*	4 OF 4
DRAWN BY	DATE	TITLE																				
JAMES	1998/01/08	MGRID, TOP ENTRY RECEPT. 4.50MM HT., SMT																				
LCHANG	1999/04/23																					
APPROVED BY	DATE																					
SQUEK	1999/04/26																					
MATERIAL NO.	DOCUMENT NO.	SHEET NO.																				
SEE TABLE	SD-87381-***6*	4 OF 4																				
F11	DRAFT WHERE APPLICABLE MUST REMAIN WITHIN DIMENSIONS	<table border="1"> <thead> <tr> <th>SIZE</th> <th>THIS DRAWING CONTAINS INFORMATION THAT IS PROPRIETARY TO MOLEX INCORPORATED AND SHOULD NOT BE USED WITHOUT WRITTEN PERMISSION</th> </tr> </thead> <tbody> <tr> <td>A3</td> <td></td> </tr> </tbody> </table>	SIZE	THIS DRAWING CONTAINS INFORMATION THAT IS PROPRIETARY TO MOLEX INCORPORATED AND SHOULD NOT BE USED WITHOUT WRITTEN PERMISSION	A3																	
SIZE	THIS DRAWING CONTAINS INFORMATION THAT IS PROPRIETARY TO MOLEX INCORPORATED AND SHOULD NOT BE USED WITHOUT WRITTEN PERMISSION																					
A3																						