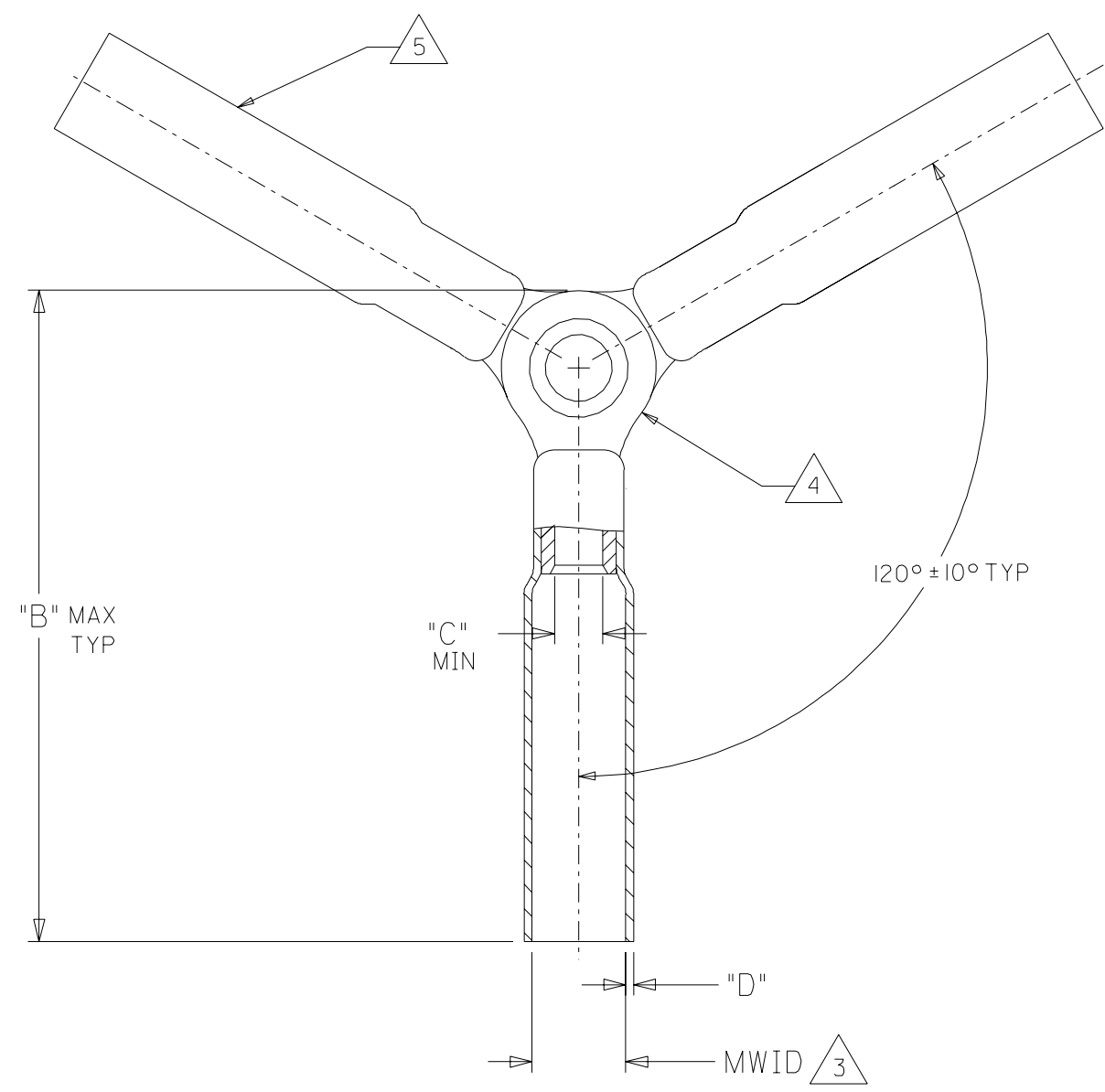


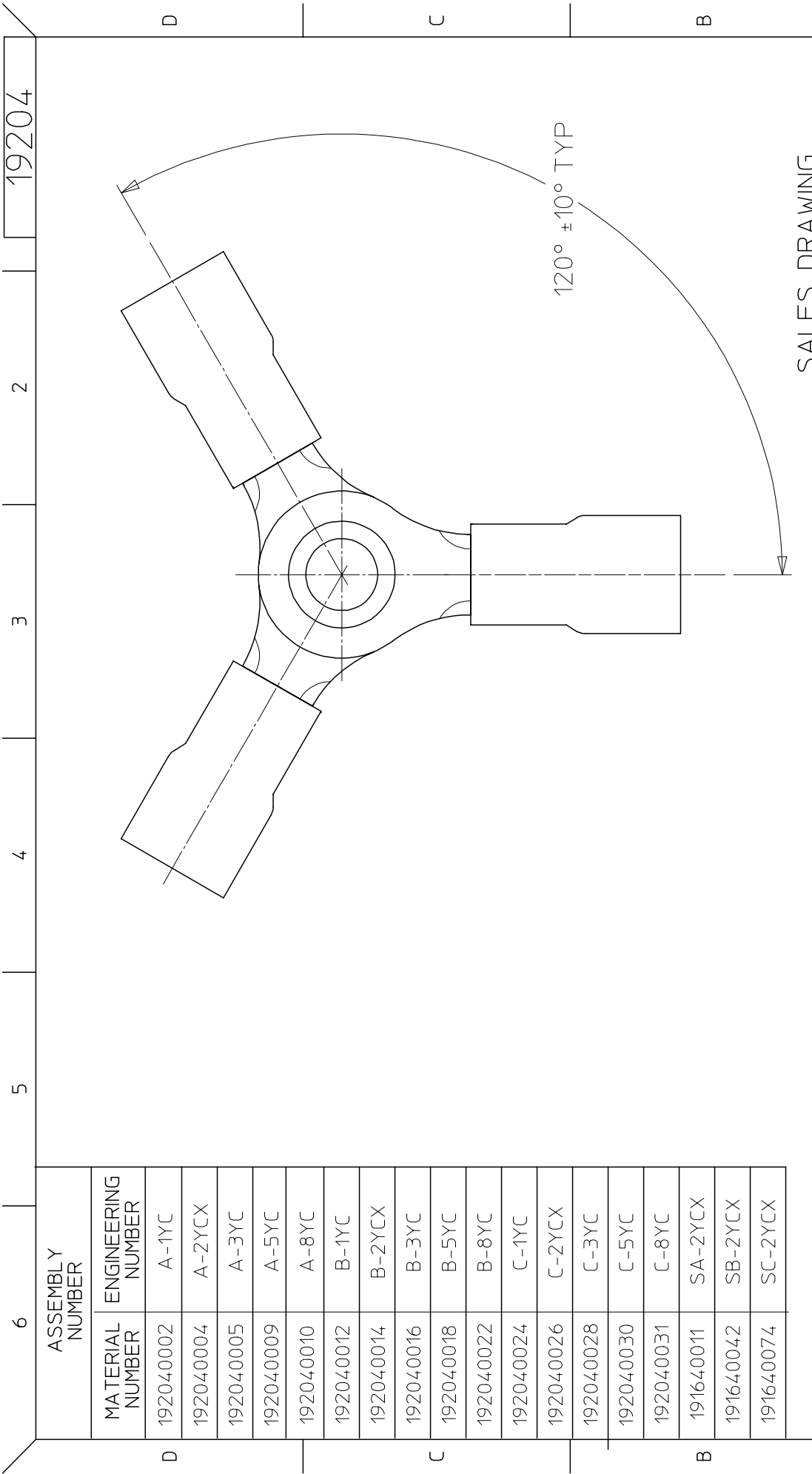
MATERIAL NUMBER	ENGINEERING NUMBER	WIRE SIZE AWG	WIRE SIZE MM SQ.	PERMA-SEAL COLOR	MWID	B MAX	C MIN	D
191640011	SA-2YCX	22-18	.25-1.5	RED	.215/5.46	1.25/31.8	.62/1.57	.025/0.64
191640042	SB-2YCX	16-14	1.0-2.5	BLUE	.235/5.97	1.24/31.5	1.24/31.5	.029/0.74
191640074	SC-2YCX	12-10	4.0-6.0	YELLOW	.310/7.62	1.34/34.0	.128/3.25	.029/0.74



- NOTES;
1. CONNECTION BETWEEN TERMINALS TO BE TIGHT.
 2. RIVET NOT TO BE SPLIT.
 3. MWID = MAXIMUM WIRE INSULATION DIAMETER.
 4. TERMINAL MATERIAL: COPPER ALLOY.
 5. INSULATION MATERIAL: HEAT SHRINKABLE TUBING WITH HOTMELT ADHESIVE INNER LINER. COLOR SEE CHART.

SALES DRAWING

NEW RELEASE EC NO. ETC2003-0136 DRWN: BRE 03/03/20 CHK: HEB 03/03/20 APPR: RWD 03/03/20	QUALITY SYMBOLS	GENERAL TOLERANCES: (UNLESS SPECIFIED)		SCALE NO: NE	DESIGN UNITS	THIRD ANGLE PROJECTION	DIMENSIONS:	SHT	REV
	MAJOR = 0	mm	INCH	mm	INCH	mm ONLY	mm INCH		REVISE ON CAD ONLY
	CRITICAL = 0	4 PLACES ±0.	±.	mm	INCH	mm ONLY	mm ONLY		
		3 PLACES ±0.	±.	mm	INCH	mm ONLY	mm ONLY		
	2 PLACES ±0.	±.	mm	INCH	mm ONLY	mm ONLY			
	1 PLACE ±0.	±.	mm	INCH	mm ONLY	mm ONLY			
		ANGULAR: ± °		DRAWN BY & DATE		TITLE: 3-WAY NIAC CONNECTOR ASSEMBLY			
		DRAFT WHERE APPLICABLE MUST REMAIN WITHIN DIMENSIONS		BRE 02/11/15		MOLEX INCORPORATED			
				CHECKED BY & DATE		MATERIAL NO. SEE CHART			
				HEB 02/11/15		DRAWING NO. SD-19164-051			
				APPROVED BY & DATE		SHEET NO. 1 OF 1			
				RWD 15/11/15		SIZE B			
				CAD FILENAME		THIS DRAWING CONTAINS INFORMATION THAT IS PROPRIETARY TO MOLEX INCORPORATED AND SHOULD NOT BE USED WITHOUT WRITTEN PERMISSION.			
				E-19164-051 .DGN					



SALES DRAWING

19204

2

3

4

5

6

ASSEMBLY NUMBER	
MATERIAL NUMBER	ENGINEERING NUMBER
192040002	A-1YC
192040004	A-2YCX
192040005	A-3YC
192040009	A-5YC
192040010	A-8YC
192040012	B-1YC
192040014	B-2YCX
192040016	B-3YC
192040018	B-5YC
192040022	B-8YC
192040024	C-1YC
192040026	C-2YCX
192040028	C-3YC
192040030	C-5YC
192040031	C-8YC
191640011	SA-2YCX
191640042	SB-2YCX
191640074	SC-2YCX

WAS 65252-01C/-02C	EC NO: ETIC2003-0305	DRWN:DMYRCK 2003/05/16	CHKD:RWD 2003/05/16	APPR:RDEROSS 2003/05/16	DESCRIPTION	REV
QUALITY SYMBOLS						
- 0						
- 0						
GENERAL TOLERANCES (UNLESS SPECIFIED)						
mm		INCH				
4 PLACES ± ---		± ---				
3 PLACES ± ---		± .005				
2 PLACES ± 0.13		± .01				
1 PLACE ± 0.25		± ---				
ANGULAR ± 1/2°						
DRAFT WHERE APPLICABLE						
MUST REMAIN WITHIN DIMENSIONS						
APPROVED BY		DATE		MATERIAL NO.		SHEET NO.
RWD		03/05/14		(SEE CHART) SD-19204-001		1 OF 1
CHECKED BY		DATE		DOCUMENT NO.		
RWD		03/05/14		MOLEX INCORPORATED		
DRAWN BY		DATE		TITLE		
RWD		03/05/14		3-WAY CONNECTOR ASSEMBLY		
SCALE		DESIGN UNITS		THIRD ANGLE PROJECTION		REVISE ON CAD ONLY
NTS		INCH		MOLEX		
		IN/MM				