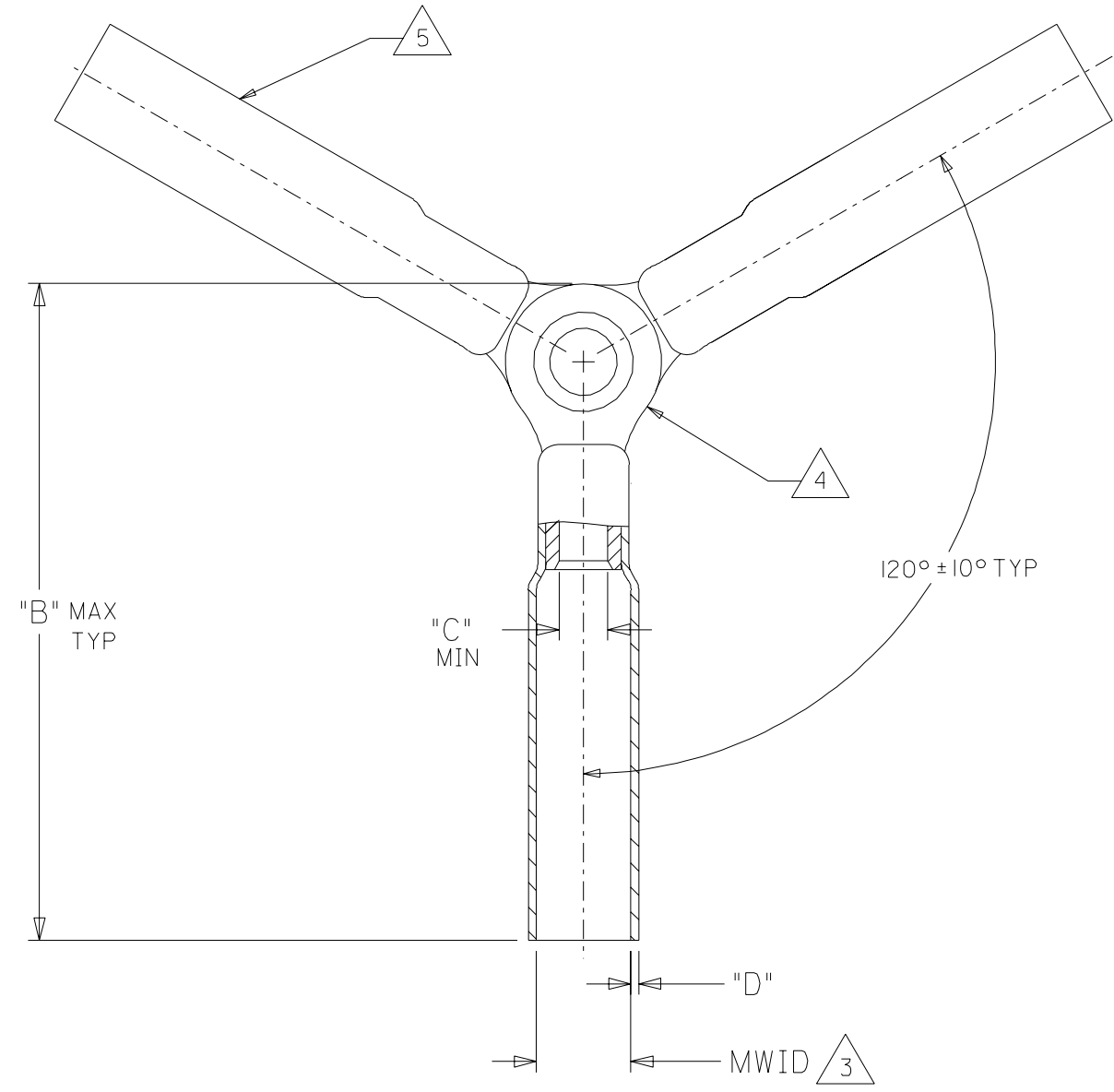


MATERIAL NUMBER	ENGINEERING NUMBER	WIRE SIZE AWG	WIRE SIZE MM SQ.	PERMA-SEAL COLOR	MWID	B MAX	C MIN	D
191640011	SA-2YCX	22-18	.25-1.5	RED	.215/5.46	1.25/31.8	.62/1.57	.025/0.64
191640042	SB-2YCX	16-14	1.0-2.5	BLUE	.235/5.97	1.24/31.5	1.24/31.5	.029/0.74
191640074	SC-2YCX	12-10	4.0-6.0	YELLOW	.310/7.62	1.34/34.0	.128/3.25	.029/0.74



NOTES;

1. CONNECTION BETWEEN TERMINALS TO BE TIGHT.
2. RIVET NOT TO BE SPLIT.
3. MWID = MAXIMUM WIRE INSULATION DIAMETER.
4. TERMINAL MATERIAL: COPPER ALLOY.
5. INSULATION MATERIAL: HEAT SHRINKABLE TUBING WITH HOTMELT ADHESIVE INNER LINER. COLOR SEE CHART.

SALES DRAWING

NEW RELEASE EC NO. ETC2003-0136 DRWN: BRE 03/03/20 CHK: HEB 03/03/20 APPR: RWD 03/03/20	DESCRIPTION REV A	QUALITY SYMBOLS	GENERAL TOLERANCES: (UNLESS SPECIFIED)		SCALE NO: NE	DESIGN UNITS	THIRD ANGLE PROJECTION	DIMENSIONS:	SHT	REV	
		MAJOR = 0	mm	INCH	NO: NE	mm	INCH	mm			
		CRITICAL = 0	4 PLACES ±0.	±.	mm	INCH	mm	mm ONLY			
			3 PLACES ±0.	±.							
	2 PLACES ±0.	±.	ANGULAR: ± °		DRAWN BY & DATE		TITLE: 3-WAY NIAC CONNECTOR ASSEMBLY				
	1 PLACE ±0.	±.	DRAFT WHERE APPLICABLE MUST REMAIN WITHIN DIMENSIONS		BRE 02/11/15						
					APPROVED BY & DATE		MOLEX INCORPORATED				
					RWD 15/11/15						
					CAD FILENAME		MATERIAL NO.		DRAWING NO.		
					E-19164-051 .DGN		SEE CHART		SD-19164-051		
					THIS DRAWING CONTAINS INFORMATION THAT IS PROPRIETARY TO MOLEX INCORPORATED AND SHOULD NOT BE USED WITHOUT WRITTEN PERMISSION.						
					SHEET NO. 1 OF 1						

