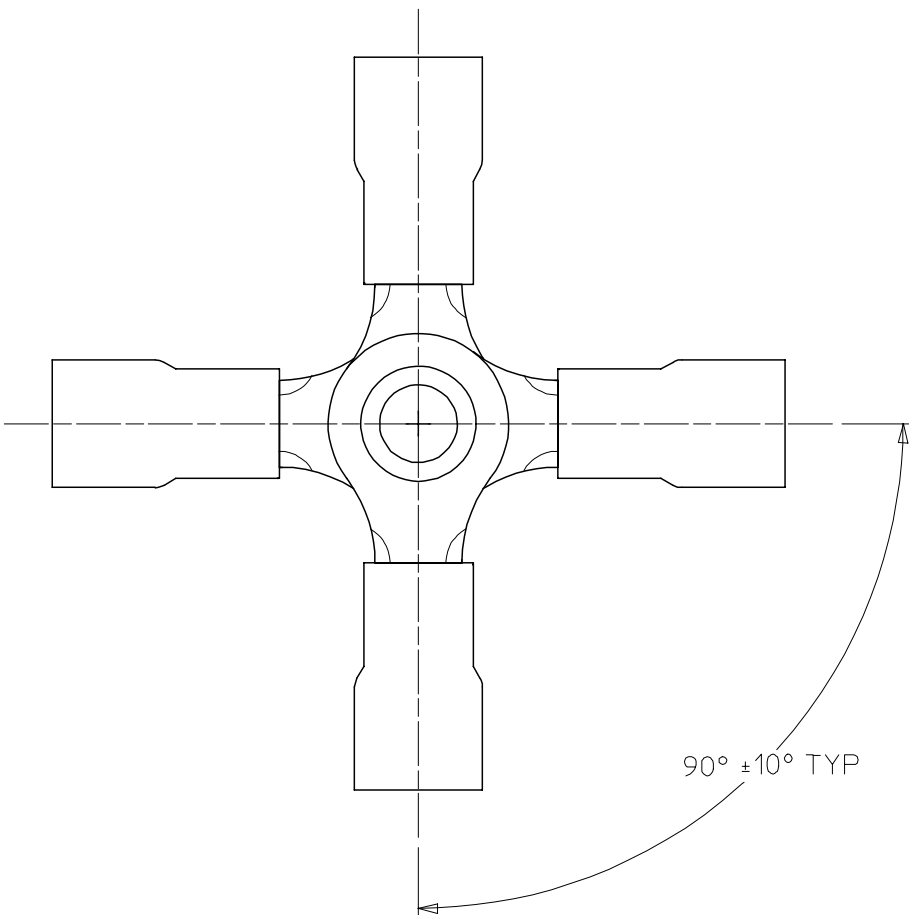


19204

6		5		4		3		2		1	
ASSEMBLY NUMBER											
MATERIAL NUMBER	ENGINEERING NUMBER										
192040001	A-1XC										
192040003	A-2XCX										
192040006	A-3XC										
192040008	A-5XC										
192040011	B-1XC										
192040013	B-2XCX										
192040015	B-3XC										
192040017	B-5XC										
192040021	B-8XC										
192040023	C-1XC										
192040025	C-2XCX										
192040027	C-3XC										
192040029	C-5XC										
192040019	C-8XC										
191640284	SA-2XCX										
191640041	SB-2XCX										
191640285	SC-2XCX										



90° ±10° TYP

SALES DRAWING

WAS 6525-01/C,-02/C EC NO: ETC2003-0305 DRWN: DMYRICK 2003/05/16 CHK'D: RWD 2003/05/16 APPR: RDEROSS 2003/05/16	QUALITY SYMBOLS	GENERAL TOLERANCES (UNLESS SPECIFIED)		SCALE NTS	DESIGN UNITS INCH	THIRD ANGLE PROJECTION	REVISE ON CAD ONLY																																						
	- 0 - 0	<table border="1"> <tr> <td></td> <td>mm</td> <td>INCH</td> </tr> <tr> <td>4 PLACES</td> <td>± ---</td> <td>± ---</td> </tr> <tr> <td>3 PLACES</td> <td>± ---</td> <td>± .005</td> </tr> <tr> <td>2 PLACES</td> <td>± 0.13</td> <td>± .01</td> </tr> <tr> <td>1 PLACE</td> <td>± 0.25</td> <td>± ---</td> </tr> </table>		mm	INCH	4 PLACES	± ---	± ---	3 PLACES	± ---	± .005	2 PLACES	± 0.13	± .01	1 PLACE	± 0.25	± ---	<table border="1"> <tr> <td colspan="2">DIMENSION STYLE</td> </tr> <tr> <td colspan="2">IN/MM</td> </tr> </table>		DIMENSION STYLE		IN/MM		<table border="1"> <tr> <td colspan="2">DRAWN BY</td> <td colspan="2">DATE</td> </tr> <tr> <td colspan="2">RWD</td> <td colspan="2">03/05/14</td> </tr> <tr> <td colspan="2">CHECKED BY</td> <td colspan="2">DATE</td> </tr> <tr> <td colspan="2">RWD</td> <td colspan="2">03/05/14</td> </tr> </table>		DRAWN BY		DATE		RWD		03/05/14		CHECKED BY		DATE		RWD		03/05/14		TITLE 4-WAY CONNECTOR ASSEMBLY			
		mm	INCH																																										
	4 PLACES	± ---	± ---																																										
3 PLACES	± ---	± .005																																											
2 PLACES	± 0.13	± .01																																											
1 PLACE	± 0.25	± ---																																											
DIMENSION STYLE																																													
IN/MM																																													
DRAWN BY		DATE																																											
RWD		03/05/14																																											
CHECKED BY		DATE																																											
RWD		03/05/14																																											
DRAFT WHERE APPLICABLE MUST REMAIN WITHIN DIMENSIONS	ANGULAR ±1/2°		APPROVED BY		DATE	MATERIAL NO.		DOCUMENT NO.	SHEET NO.																																				
			RWD		03/05/14	(SEE CHART)		SD-19204-002	1 OF 1																																				

THIS DRAWING CONTAINS INFORMATION THAT IS PROPRIETARY TO MOLEX INCORPORATED AND SHOULD NOT BE USED WITHOUT WRITTEN PERMISSION