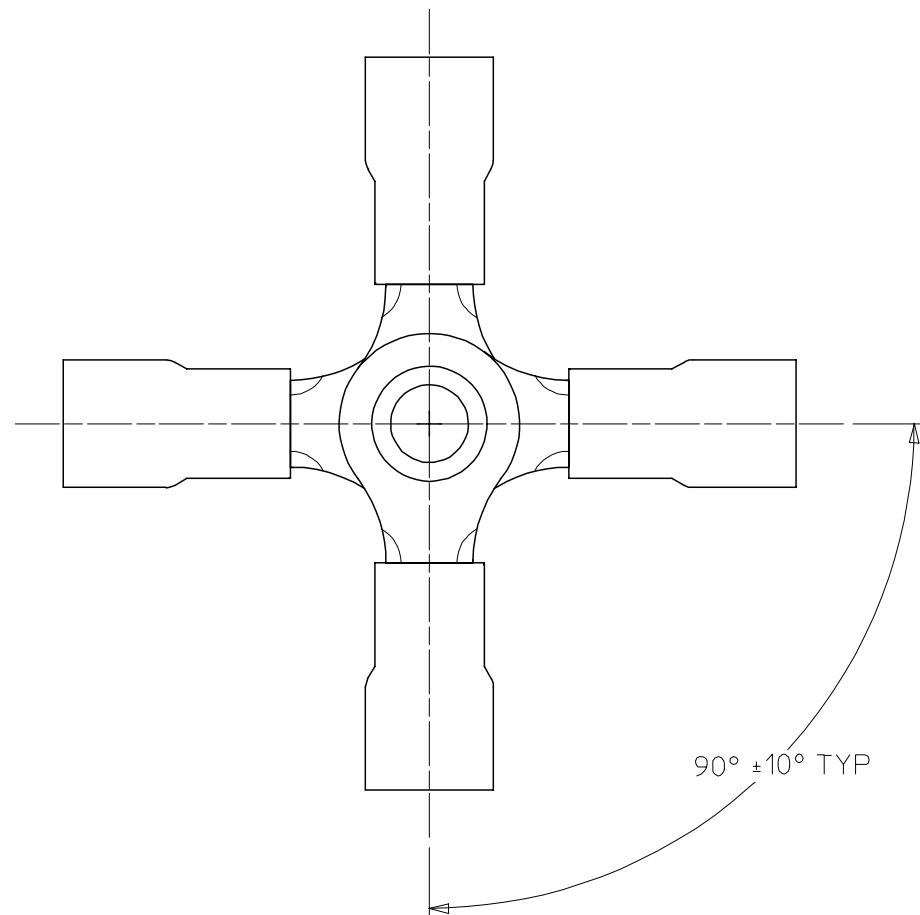


19204



	6		5		4		3		2		1	
	ASSEMBLY NUMBER											
	MATERIAL NUMBER						ENGINEERING NUMBER					
D	192040001						A-1XC					
	192040003						A-2XCX					
	192040006						A-3XC					
	192040008						A-5XC					
	192040011						B-1XC					
	192040013						B-2XCX					
	192040015						B-3XC					
	192040017						B-5XC					
C	192040021						B-8XC					
	192040023						C-1XC					
	192040025						C-2XCX					
	192040027						C-3XC					
	192040029						C-5XC					
	192040019						C-8XC					
	191640284						SA-2XCX					
B	191640041						SB-2XCX					
	191640285						SC-2XCX					

90° ±10° TYP

SALES DRAWING

WAS 6525-01/C,-02/C EC NO: ETC2003-0305 DRWN: DMYRICK 2003/05/16 CHK'D: RWD 2003/05/16 APPR: RDEROSS 2003/05/16	QUALITY SYMBOLS	GENERAL TOLERANCES (UNLESS SPECIFIED)		SCALE NTS	DESIGN UNITS INCH	THIRD ANGLE PROJECTION	REVISE ON CAD ONLY				
	▼ - 0	mm	INCH	DIMENSION STYLE IN/MM		TITLE	4-WAY CONNECTOR ASSEMBLY				
	∇ - 0	4 PLACES ± ---	± ---	DRAWN BY	DATE	MOLEX INCORPORATED (SEE CHART) SD-19204-002					
		3 PLACES ± ---	± .005	RWD	03/05/14						
		2 PLACES ± 0.13	± .01	CHECKED BY	DATE	MATERIAL NO.	DOCUMENT NO.	SHEET NO.	THIS DRAWING CONTAINS INFORMATION THAT IS PROPRIETARY TO MOLEX INCORPORATED AND SHOULD NOT BE USED WITHOUT WRITTEN PERMISSION		
	1 PLACE ± 0.25	± ---	RWD	03/05/14	(SEE CHART)	SD-19204-002	1 OF 1				
	ANGULAR ± 1/2°	DRAFT WHERE APPLICABLE		APPROVED BY	DATE						
		MUST REMAIN WITHIN DIMENSIONS		RWD	03/05/14						