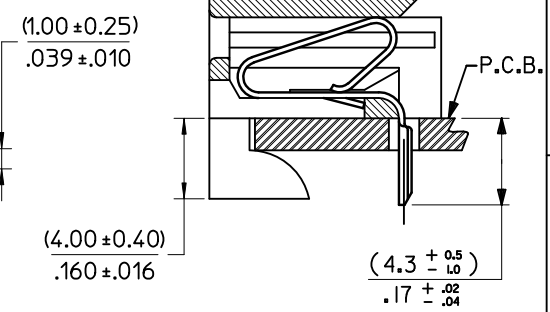
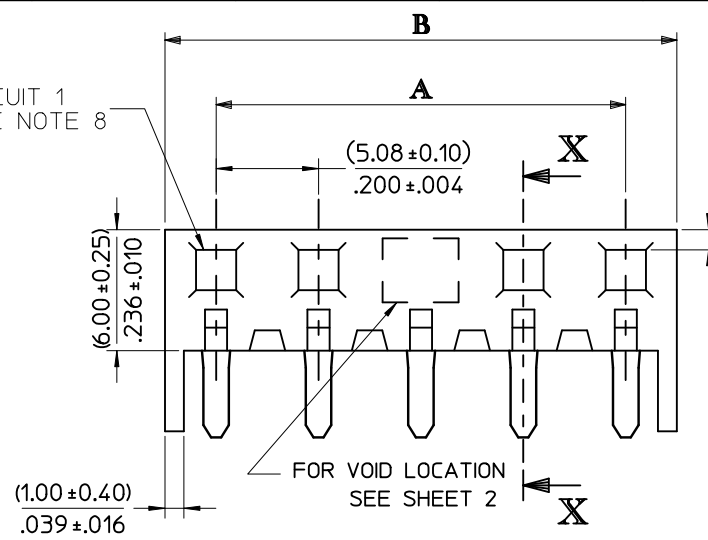
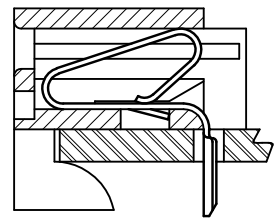
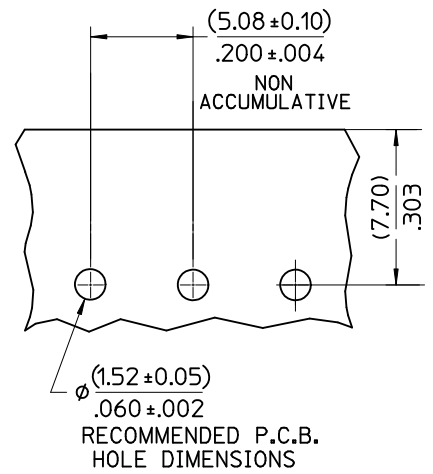
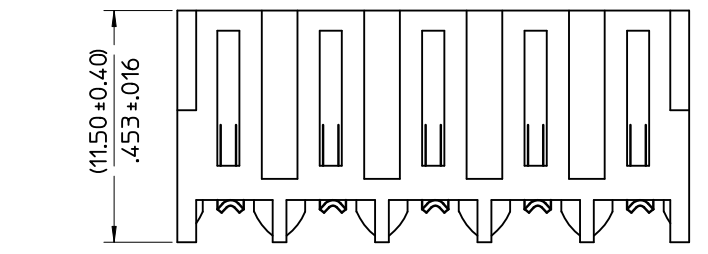


| CCT | PART No. | ENG No. | DIM A | DIM B |
|-----|------------|-------------|--------------------------------|--------------------------------|
| 2 | 10-10-1021 | AE-3002-2A | (5.08 ± 0.10) .200 ± .004 | (10.16 ± 0.25) .400 ± .006 |
| 3 | -1031 | -3A | (10.16 ± 0.10) .400 ± .004 | (15.24 ± 0.15) .600 ± .008 |
| 4 | -1041 | -4A | (15.24 ± 0.10) .600 ± .004 | (20.32 ± 0.25) .800 ± .008 |
| 5 | -1051 | -5A | (20.32 ± 0.10) .800 ± .004 | (25.40 ± 0.15) 1.000 ± .008 |
| 6 | -1061 | -6A | (25.40 ± 0.10) 1.000 ± .004 | (30.48 ± 0.20) 1.200 ± .008 |
| 7 | -1071 | -7A | (30.48 ± 0.20) 1.200 ± .008 | (35.56 ± 0.20) 1.400 ± .008 |
| 8 | -1081 | -8A | (35.56 ± 0.20) 1.400 ± .008 | (40.64 ± 0.20) 1.600 ± .008 |
| 9 | -1091 | -9A | (40.64 ± 0.20) 1.600 ± .008 | (45.72 ± 0.20) 1.800 ± .008 |
| 10 | -1101 | -10A | (45.72 ± 0.20) 1.800 ± .008 | (50.80 ± 0.20) 2.000 ± .008 |
| 11 | -1111 | -11A | (50.80 ± 0.20) 2.000 ± .008 | (55.88 ± 0.30) 2.200 ± .012 |
| 12 | 10-10-1121 | AE-3002-12A | (55.88 ± 0.25) 2.200 ± .010 | (60.96 ± 0.30) 2.400 ± .012 |

CIRCUIT 1
SEE NOTE 8



SECTION X-X



OPTIONAL CORE

- NOTES:**
- HOUSING : NYLON, UL94V-2, COLOR: NATURAL
TERMINAL : PHOSPHOR BRONZE
 - FINISH: HOT TIN DIP. (0.00254)/.000100 MIN
 - PRODUCT SPECIFICATION : PS-99020-0087
 - PACKAGING SPECIFICATION : TBD
 - HOUSING SUITABLE FOR (1.14±0.15)/.045±.006 RD OR SQ. PINS
 - HOOKS AVAILABLE ON ENDS ONLY
 - THIS PART CONFORMS TO CLASS B REQUIREMENTS OF COSMETIC SPECIFICATION PS-45499-002
 - CIRCUIT 1 I.D. USED TO DEFINE VOID LOCATION.
CIRCUIT 1 MAY OR MAY NOT LINE UP WITH CIRCUIT 1 OF MATING PART

| | | | | | | | | | | |
|--|---|---|-------------|---------------------------------|----------------------------------|---------------------|--|----------------------------|--|--|
| OBSOLETE 13-20 CKT EC NO: UCP2011-3286 DRWN: MSTR0H 2011/04/25 CHYD: MK(IPPER) 2011/04/30 APPR: FSM(JH) 2011/05/02 | DESCRIPTION QUALITY SYMBOLS $F_{\Delta} = 0$ $F_{\square} = 0$ $F_{\nabla} = 0$ | GENERAL TOLERANCES (UNLESS SPECIFIED) mm INCH | | DIMENSION STYLE MM/IN | | SCALE 4:1 | DESIGN UNITS METRIC | THIRD ANGLE PROJECTION | | |
| | | 4 PLACES | ± --- | ± --- | DRAWN BY | DATE | TITLE | | | |
| | | 3 PLACES | ± --- | ± --- | GCH | 1995/06/15 | KONEKTCON AND P.C. TAIL TERMINAL ASSEMBLY (5.08)/.200 PITCH | | | |
| | | 2 PLACES | ± --- | ± --- | CHECKED BY | DATE | | | | |
| 1 PLACE | ± --- | ± --- | GMCSWEENEY | 2005/08/31 | MOLEX INCORPORATED | | | | | |
| ANGULAR ± ---° | | | APPROVED BY | DATE | | | | | | |
| DRAFT WHERE APPLICABLE MUST REMAIN WITHIN DIMENSIONS | | | JDENNEHY | 2005/08/31 | MATERIAL NO. SEE CHART | | DOCUMENT NO. SDAE-3002-NA-* | SHEET NO. 1 OF 2 | | |
| SIZE A3 THIS DRAWING CONTAINS INFORMATION THAT IS PROPRIETARY TO MOLEX INCORPORATED AND SHOULD NOT BE USED WITHOUT WRITTEN PERMISSION | | | | | | | | | | |