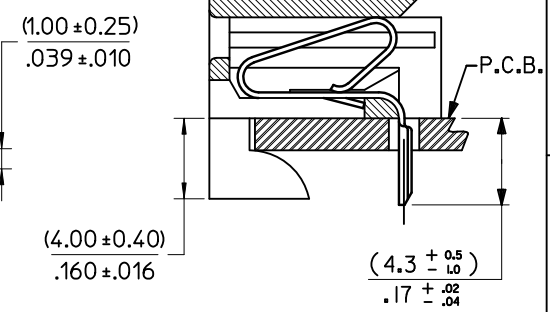
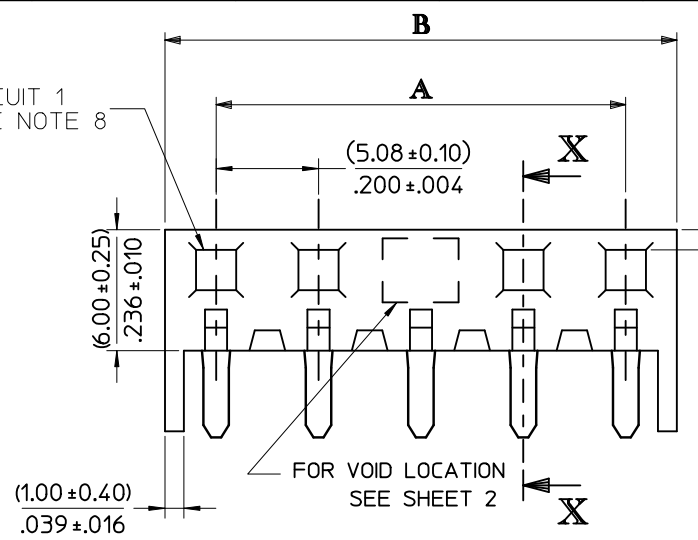
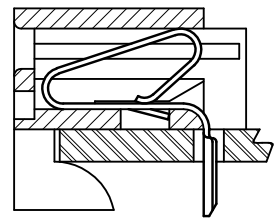
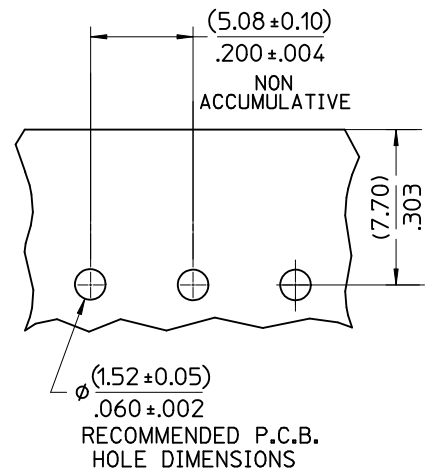
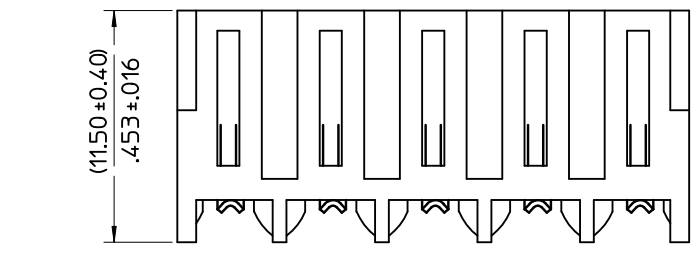


CCT	PART No.	ENG No.	DIM A	DIM B
2	10-10-1021	AE-3002-2A	(5.08 ± 0.10) .200 ± .004	(10.16 ± 0.25) .400 ± .006
3	-1031	-3A	(10.16 ± 0.10) .400 ± .004	(15.24 ± 0.15) .600 ± .008
4	-1041	-4A	(15.24 ± 0.10) .600 ± .004	(20.32 ± 0.25) .800 ± .008
5	-1051	-5A	(20.32 ± 0.10) .800 ± .004	(25.40 ± 0.15) 1.000 ± .008
6	-1061	-6A	(25.40 ± 0.10) 1.000 ± .004	(30.48 ± 0.20) 1.200 ± .008
7	-1071	-7A	(30.48 ± 0.20) 1.200 ± .008	(35.56 ± 0.20) 1.400 ± .008
8	-1081	-8A	(35.56 ± 0.20) 1.400 ± .008	(40.64 ± 0.20) 1.600 ± .008
9	-1091	-9A	(40.64 ± 0.20) 1.600 ± .008	(45.72 ± 0.20) 1.800 ± .008
10	-1101	-10A	(45.72 ± 0.20) 1.800 ± .008	(50.80 ± 0.20) 2.000 ± .008
11	-1111	-11A	(50.80 ± 0.20) 2.000 ± .008	(55.88 ± 0.30) 2.200 ± .012
12	10-10-1121	AE-3002-12A	(55.88 ± 0.25) 2.200 ± .010	(60.96 ± 0.30) 2.400 ± .012

CIRCUIT 1  
SEE NOTE 8



**SECTION X-X**



**OPTIONAL CORE**

- NOTES:**
- HOUSING : NYLON, UL94V-2, COLOR: NATURAL  
TERMINAL : PHOSPHOR BRONZE
  - FINISH: HOT TIN DIP. (0.00254)/.000100 MIN
  - PRODUCT SPECIFICATION : PS-99020-0087
  - PACKAGING SPECIFICATION : TBD
  - HOUSING SUITABLE FOR (1.14±0.15)/.045±.006 RD OR SQ. PINS
  - HOOKS AVAILABLE ON ENDS ONLY
  - THIS PART CONFORMS TO CLASS B REQUIREMENTS OF COSMETIC SPECIFICATION PS-45499-002
  - CIRCUIT 1 I.D. USED TO DEFINE VOID LOCATION.  
CIRCUIT 1 MAY OR MAY NOT LINE UP WITH CIRCUIT 1 OF MATING PART

<b>OBSOLETE 13-20 CKT</b> EC NO: UCP/2011-3286 DRWN: MSTR0H 2011/04/25 CHKD: MK/PPER 2011/04/30 APPR: FSM/TH 2011/05/02	DESCRIPTION REV	QUALITY SYMBOLS	GENERAL TOLERANCES (UNLESS SPECIFIED)	DIMENSION STYLE	SCALE	DESIGN UNITS	THIRD ANGLE PROJECTION																						
		$F_{\Delta} = 0$ $F_{\sigma} = 0$ $F_{\beta} = 0$	<table border="1"> <thead> <tr> <th></th> <th>mm</th> <th>INCH</th> </tr> </thead> <tbody> <tr> <td>4 PLACES</td> <td>± ---</td> <td>± ---</td> </tr> <tr> <td>3 PLACES</td> <td>± ---</td> <td>± ---</td> </tr> <tr> <td>2 PLACES</td> <td>± ---</td> <td>± ---</td> </tr> <tr> <td>1 PLACE</td> <td>± ---</td> <td>± ---</td> </tr> </tbody> </table>		mm	INCH	4 PLACES	± ---	± ---	3 PLACES	± ---	± ---	2 PLACES	± ---	± ---	1 PLACE	± ---	± ---	MM/IN	4:1	METRIC								
			mm	INCH																									
		4 PLACES	± ---	± ---																									
3 PLACES	± ---	± ---																											
2 PLACES	± ---	± ---																											
1 PLACE	± ---	± ---																											
	<table border="1"> <thead> <tr> <th>DRAWN BY</th> <th>DATE</th> <th>TITLE</th> </tr> </thead> <tbody> <tr> <td>GCH</td> <td>1995/06/15</td> <td rowspan="3">KONEKTCON AND P.C. TAIL TERMINAL ASSEMBLY (5.08)/.200 PITCH</td> </tr> <tr> <td>GMSWEENEY</td> <td>2005/08/31</td> </tr> <tr> <td>JDENNEHY</td> <td>2005/08/31</td> </tr> </tbody> </table>	DRAWN BY	DATE	TITLE	GCH	1995/06/15	KONEKTCON AND P.C. TAIL TERMINAL ASSEMBLY (5.08)/.200 PITCH	GMSWEENEY	2005/08/31	JDENNEHY	2005/08/31	<table border="1"> <thead> <tr> <th>CHECKED BY</th> <th>DATE</th> </tr> </thead> <tbody> <tr> <td>GMSWEENEY</td> <td>2005/08/31</td> </tr> </tbody> </table>	CHECKED BY	DATE	GMSWEENEY	2005/08/31	<table border="1"> <thead> <tr> <th>APPROVED BY</th> <th>DATE</th> </tr> </thead> <tbody> <tr> <td>JDENNEHY</td> <td>2005/08/31</td> </tr> </tbody> </table>	APPROVED BY	DATE	JDENNEHY	2005/08/31		<table border="1"> <thead> <tr> <th>MATERIAL NO.</th> <th>DOCUMENT NO.</th> <th>SHEET NO.</th> </tr> </thead> <tbody> <tr> <td>SEE CHART</td> <td>SDAE-3002-NA-*</td> <td>1 OF 2</td> </tr> </tbody> </table>	MATERIAL NO.	DOCUMENT NO.	SHEET NO.	SEE CHART	SDAE-3002-NA-*	1 OF 2
DRAWN BY	DATE	TITLE																											
GCH	1995/06/15	KONEKTCON AND P.C. TAIL TERMINAL ASSEMBLY (5.08)/.200 PITCH																											
GMSWEENEY	2005/08/31																												
JDENNEHY	2005/08/31																												
CHECKED BY	DATE																												
GMSWEENEY	2005/08/31																												
APPROVED BY	DATE																												
JDENNEHY	2005/08/31																												
MATERIAL NO.	DOCUMENT NO.	SHEET NO.																											
SEE CHART	SDAE-3002-NA-*	1 OF 2																											
		DRAFT WHERE APPLICABLE MUST REMAIN WITHIN DIMENSIONS	SIZE A3	THIS DRAWING CONTAINS INFORMATION THAT IS PROPRIETARY TO MOLEX INCORPORATED AND SHOULD NOT BE USED WITHOUT WRITTEN PERMISSION																									

CCT	PART No.	ENG No.	VOID CCT. No's	HOOKS
8	10-05-1089	AE-3002-8A-3	3	YES
9	38-00-1502	AE-3002-9A-51	2,4,6,8	YES
5	38-00-7643	AE-3002-5A-52	NONE	NONE

OBSOLETE 13-20 CKT EC NO: UCP/2011-3286 DRWN:MMSTROH 2011/04/25 CHKD:MKIPPER 2011/04/30 APPR:FSM/JTH 2011/05/02	QUALITY SYMBOLS	GENERAL TOLERANCES (UNLESS SPECIFIED)	DIMENSION STYLE <b>MM ONLY</b>	SCALE ---	DESIGN UNITS <b>METRIC</b>	THIRD ANGLE PROJECTION																													
	$\nabla_A = 0$ $\nabla_C = 0$ $\nabla_P = 0$	<table border="1"> <thead> <tr> <th></th> <th>mm</th> <th>INCH</th> </tr> </thead> <tbody> <tr> <td>4 PLACES</td> <td>± ---</td> <td>± ---</td> </tr> <tr> <td>3 PLACES</td> <td>± ---</td> <td>± ---</td> </tr> <tr> <td>2 PLACES</td> <td>± ---</td> <td>± ---</td> </tr> <tr> <td>1 PLACE</td> <td>± ---</td> <td>± ---</td> </tr> </tbody> </table>		mm	INCH	4 PLACES	± ---	± ---	3 PLACES	± ---	± ---	2 PLACES	± ---	± ---	1 PLACE	± ---	± ---	<table border="1"> <thead> <tr> <th></th> <th>DATE</th> </tr> </thead> <tbody> <tr> <td>DRAWN BY</td> <td>GCH</td> </tr> <tr> <td>DATE</td> <td>1986/06/17</td> </tr> <tr> <td>CHECKED BY</td> <td>GMCSWEENEY</td> </tr> <tr> <td>DATE</td> <td>2005/08/31</td> </tr> <tr> <td>APPROVED BY</td> <td>JDENNEHY</td> </tr> <tr> <td>DATE</td> <td>2005/08/31</td> </tr> </tbody> </table>		DATE	DRAWN BY	GCH	DATE	1986/06/17	CHECKED BY	GMCSWEENEY	DATE	2005/08/31	APPROVED BY	JDENNEHY	DATE	2005/08/31	TITLE	KONEKTCON AND P.C. TAIL TERMINAL ASSEMBLY (5.08)/.200 PITCH	
		mm	INCH																																
	4 PLACES	± ---	± ---																																
3 PLACES	± ---	± ---																																	
2 PLACES	± ---	± ---																																	
1 PLACE	± ---	± ---																																	
	DATE																																		
DRAWN BY	GCH																																		
DATE	1986/06/17																																		
CHECKED BY	GMCSWEENEY																																		
DATE	2005/08/31																																		
APPROVED BY	JDENNEHY																																		
DATE	2005/08/31																																		
	DRAFT WHERE APPLICABLE MUST REMAIN WITHIN DIMENSIONS	MATERIAL NO. <b>SEE CHART</b>	DOCUMENT NO. SDAE-3002-NA-*	SHEET NO. 2 OF 2																															
		SIZE <b>A3</b>	THIS DRAWING CONTAINS INFORMATION THAT IS PROPRIETARY TO MOLEX INCORPORATED AND SHOULD NOT BE USED WITHOUT WRITTEN PERMISSION																																