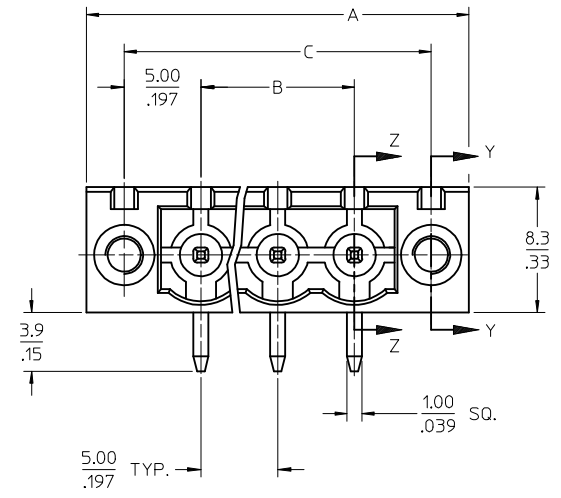
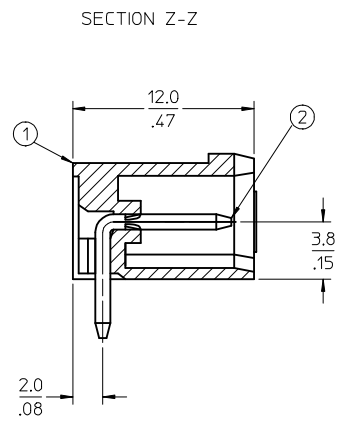
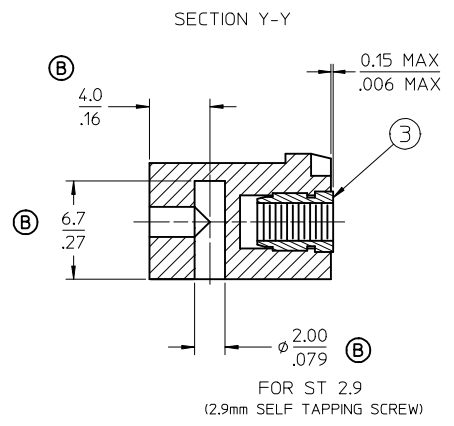
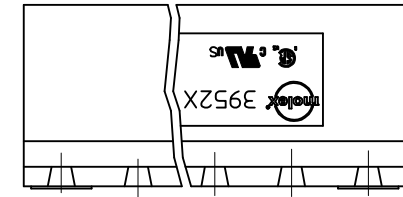
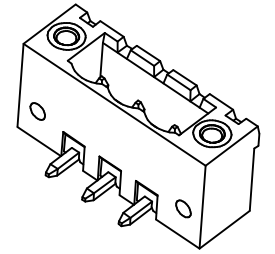


Ⓑ PCB LAYOUT



**SPECIFICATIONS:**

1. Material:
  - (1). Body: PA66
  - (2). Pin: Brass
  - (3). Threaded insert: Brass
2. Wire range: N/A
3. Electrical rating: 300V, 15A
4. Wire strip length: N/A
5. Operating temperature: -40C to +105C
6. Max torque: N/A
7. Insulation resistance: DC 500V, 500M
8. Dielectric withstand: AC 2500V for 1 minute
9. Breakdown voltage: 4000V.
10. A = (B + 15.0mm)
11. B = (N - 1) x P
13. C = (B + 10mm)
12. P (PITCH) = 5.0mm (.197")
13. N = Number of positions available 2 through 24
14. Dims shown are for reference only

|   |                          |  |         |   |          |   |                        |
|---|--------------------------|--|---------|---|----------|---|------------------------|
| ADD DIMS & PCB LYT<br>EC NO: IPG2016-1279<br>DRWINRSTONE 2016/03/21<br>CHYKDM ZIEIL INSKI 2016/03/28<br>APPR:BRUPERT 2016/03/25 | QUALITY SYMBOLS          | GENERAL TOLERANCES (UNLESS SPECIFIED)                |         | DIMENSION STYLE   | SCALE    | DESIGN UNITS  | THIRD ANGLE PROJECTION |
|   | $\nabla=0$<br>$\nabla=0$ | mm   | INCH    | MM/IN   | 4:1      | INCH  |                        |
| REV   | DESCRIPTION              | 4 PLACES   | ± .0015 | DRAWN BY  | DATE     | TITLE   |                        |
| Ⓑ   |                          | 3 PLACES   | ± 0.038 | LROTHAUS  | 12/6/05  | 5.0MM, EURO HEADER, RIGHT ANGLE, MOUNTING                                 |                        |
|   |                          | 2 PLACES   | ± .01   | CHECKED BY  | DATE     |   |                        |
|   |                          | 1 PLACE  | ± 0.3   | C. YORK   | 01/06/06 |   |                        |
|   |                          | 0 PLACE  | ±       | APPROVED BY   | DATE     | MATERIAL NO. SEE SHEET-2<br>DOCUMENT NO. SD-39526-002<br>SHEET NO. 1 OF 2 |                        |
|   |                          | ANGULAR ± 2 °  |         | THIS DRAWING CONTAINS INFORMATION THAT IS PROPRIETARY TO MOLEX INCORPORATED AND SHOULD NOT BE USED WITHOUT WRITTEN PERMISSION |          |   |                        |
|   |                          | DRAFT WHERE APPLICABLE MUST REMAIN WITHIN DIMENSIONS |         |   |          |   |                        |

| Description                                    | Circuit size | Material Numbers |           |           |                  |           |           |                  |           |           |                  |           | Dimensional Information |        |       |        |       |        |       |
|--|--------------|------------------|-----------|-----------|------------------|-----------|-----------|------------------|-----------|-----------|------------------|-----------|-------------------------|--------|-------|--------|-------|--------|-------|
|  |              | Black            |           |           | 30 u" Gold       |           |           | Green            |           |           | 30 u" Gold       |           |                         | Dim. A |       | Dim. B |       | Dim. C |       |
|  |              | Printing Options |           |           | Printing Options |           |           | Printing Options |           |           | Printing Options |           |                         | mm     | inch  | mm     | inch  | mm     | inch  |
|  |              | None             | 10A       | 11A       | None             | 10A       | 11A       | None             | 10A       | 11A       | None             | 10A       | 11A                     |        |       |        |       |        |       |
| 5.0mm, Euro Header, Right Angle, Mounting Ends | 2            | 395260002        | 395260102 | 395260202 | 395260502        | 395260602 | 395260702 | 395266002        | 395265102 | 395265202 | 395265502        | 395265602 | 395265702               | 20.00  | 0.787 | 5.00   | 0.197 | 15.00  | 0.591 |
| 5.0mm, Euro Header, Right Angle, Mounting Ends | 3            | 395260003        | 395260103 | 395260203 | 395260503        | 395260603 | 395260703 | 395266003        | 395265103 | 395265203 | 395265503        | 395265603 | 395265703               | 25.00  | 0.984 | 10.00  | 0.394 | 20.00  | 0.787 |
| 5.0mm, Euro Header, Right Angle, Mounting Ends | 4            | 395260004        | 395260104 | 395260204 | 395260504        | 395260604 | 395260704 | 395266004        | 395265104 | 395265204 | 395265504        | 395265604 | 395265704               | 30.00  | 1.181 | 15.00  | 0.591 | 25.00  | 0.984 |
| 5.0mm, Euro Header, Right Angle, Mounting Ends | 5            | 395260005        | 395260105 | 395260205 | 395260505        | 395260605 | 395260705 | 395266005        | 395265105 | 395265205 | 395265505        | 395265605 | 395265705               | 35.00  | 1.378 | 20.00  | 0.787 | 30.00  | 1.181 |
| 5.0mm, Euro Header, Right Angle, Mounting Ends | 6            | 395260006        | 395260106 | 395260206 | 395260506        | 395260606 | 395260706 | 395266006        | 395265106 | 395265206 | 395265506        | 395265606 | 395265706               | 40.00  | 1.575 | 25.00  | 0.984 | 35.00  | 1.378 |
| 5.0mm, Euro Header, Right Angle, Mounting Ends | 7            | 395260007        | 395260107 | 395260207 | 395260507        | 395260607 | 395260707 | 395266007        | 395265107 | 395265207 | 395265507        | 395265607 | 395265707               | 45.00  | 1.772 | 30.00  | 1.181 | 40.00  | 1.575 |
| 5.0mm, Euro Header, Right Angle, Mounting Ends | 8            | 395260008        | 395260108 | 395260208 | 395260508        | 395260608 | 395260708 | 395266008        | 395265108 | 395265208 | 395265508        | 395265608 | 395265708               | 50.00  | 1.969 | 35.00  | 1.378 | 45.00  | 1.772 |
| 5.0mm, Euro Header, Right Angle, Mounting Ends | 9            | 395260009        | 395260109 | 395260209 | 395260509        | 395260609 | 395260709 | 395266009        | 395265109 | 395265209 | 395265509        | 395265609 | 395265709               | 55.00  | 2.165 | 40.00  | 1.575 | 50.00  | 1.969 |
| 5.0mm, Euro Header, Right Angle, Mounting Ends | 10           | 395260010        | 395260110 | 395260210 | 395260510        | 395260610 | 395260710 | 395266010        | 395265110 | 395265210 | 395265510        | 395265610 | 395265710               | 60.00  | 2.362 | 45.00  | 1.772 | 55.00  | 2.165 |
| 5.0mm, Euro Header, Right Angle, Mounting Ends | 11           | 395260011        | 395260111 | 395260211 | 395260511        | 395260611 | 395260711 | 395266011        | 395265111 | 395265211 | 395265511        | 395265611 | 395265711               | 65.00  | 2.559 | 50.00  | 1.969 | 60.00  | 2.362 |
| 5.0mm, Euro Header, Right Angle, Mounting Ends | 12           | 395260012        | 395260112 | 395260212 | 395260512        | 395260612 | 395260712 | 395266012        | 395265112 | 395265212 | 395265512        | 395265612 | 395265712               | 70.00  | 2.756 | 55.00  | 2.165 | 65.00  | 2.559 |
| 5.0mm, Euro Header, Right Angle, Mounting Ends | 13           | 395260013        | 395260113 | 395260213 | 395260513        | 395260613 | 395260713 | 395266013        | 395265113 | 395265213 | 395265513        | 395265613 | 395265713               | 75.00  | 2.953 | 60.00  | 2.362 | 70.00  | 2.756 |
| 5.0mm, Euro Header, Right Angle, Mounting Ends | 14           | 395260014        | 395260114 | 395260214 | 395260514        | 395260614 | 395260714 | 395266014        | 395265114 | 395265214 | 395265514        | 395265614 | 395265714               | 80.00  | 3.150 | 65.00  | 2.559 | 75.00  | 2.953 |
| 5.0mm, Euro Header, Right Angle, Mounting Ends | 15           | 395260015        | 395260115 | 395260215 | 395260515        | 395260615 | 395260715 | 395266015        | 395265115 | 395265215 | 395265515        | 395265615 | 395265715               | 85.00  | 3.346 | 70.00  | 2.756 | 80.00  | 3.150 |
| 5.0mm, Euro Header, Right Angle, Mounting Ends | 16           | 395260016        | 395260116 | 395260216 | 395260516        | 395260616 | 395260716 | 395266016        | 395265116 | 395265216 | 395265516        | 395265616 | 395265716               | 90.00  | 3.543 | 75.00  | 2.953 | 85.00  | 3.346 |
| 5.0mm, Euro Header, Right Angle, Mounting Ends | 17           | 395260017        | 395260117 | 395260217 | 395260517        | 395260617 | 395260717 | 395266017        | 395265117 | 395265217 | 395265517        | 395265617 | 395265717               | 95.00  | 3.740 | 80.00  | 3.150 | 90.00  | 3.543 |
| 5.0mm, Euro Header, Right Angle, Mounting Ends | 18           | 395260018        | 395260118 | 395260218 | 395260518        | 395260618 | 395260718 | 395266018        | 395265118 | 395265218 | 395265518        | 395265618 | 395265718               | 100.00 | 3.937 | 85.00  | 3.346 | 95.00  | 3.740 |
| 5.0mm, Euro Header, Right Angle, Mounting Ends | 19           | 395260019        | 395260119 | 395260219 | 395260519        | 395260619 | 395260719 | 395266019        | 395265119 | 395265219 | 395265519        | 395265619 | 395265719               | 105.00 | 4.134 | 90.00  | 3.543 | 100.00 | 3.937 |
| 5.0mm, Euro Header, Right Angle, Mounting Ends | 20           | 395260020        | 395260120 | 395260220 | 395260520        | 395260620 | 395260720 | 395266020        | 395265120 | 395265220 | 395265520        | 395265620 | 395265720               | 110.00 | 4.331 | 95.00  | 3.740 | 105.00 | 4.134 |
| 5.0mm, Euro Header, Right Angle, Mounting Ends | 21           | 395260021        | 395260121 | 395260221 | 395260521        | 395260621 | 395260721 | 395266021        | 395265121 | 395265221 | 395265521        | 395265621 | 395265721               | 115.00 | 4.528 | 100.00 | 3.937 | 110.00 | 4.331 |
| 5.0mm, Euro Header, Right Angle, Mounting Ends | 22           | 395260022        | 395260122 | 395260222 | 395260522        | 395260622 | 395260722 | 395266022        | 395265122 | 395265222 | 395265522        | 395265622 | 395265722               | 120.00 | 4.724 | 105.00 | 4.134 | 115.00 | 4.528 |
| 5.0mm, Euro Header, Right Angle, Mounting Ends | 23           | 395260023        | 395260123 | 395260223 | 395260523        | 395260623 | 395260723 | 395266023        | 395265123 | 395265223 | 395265523        | 395265623 | 395265723               | 125.00 | 4.921 | 110.00 | 4.331 | 120.00 | 4.724 |
| 5.0mm, Euro Header, Right Angle, Mounting Ends | 24           | 395260024        | 395260124 | 395260224 | 395260524        | 395260624 | 395260724 | 395266024        | 395265124 | 395265224 | 395265524        | 395265624 | 395265724               | 130.00 | 5.118 | 115.00 | 4.528 | 125.00 | 4.921 |

|  |                               |                                       |   |                          |                  |   |                           |                        |                              |                     |
|--|-------------------------------|---------------------------------------|---|--------------------------|------------------|---|---------------------------|------------------------|------------------------------|---------------------|
| <b>SHT-2 WAS ME10 DOC</b><br>EC NO: ICG2016-1279<br>DR: MNRSTONE 2016/03/21<br>CHK: DM ZIEIL INSKI 2016/03/28<br>APPR: BRUPERT 2016/03/25<br>B | QUALITY SYMBOLS<br>▽=0<br>▽=0 | GENERAL TOLERANCES (UNLESS SPECIFIED) |   | DIMENSION STYLE<br>MM/IN |                  | SCALE<br>1:1                              | DESIGN UNITS<br>INCH      | THIRD ANGLE PROJECTION |                              |                     |
|  |                               | 4 PLACES ± --- ± .0015                | 3 PLACES ± 0.038 ± .005   | DRAWN BY<br>LROTHAUS     | DATE<br>12/6/05  | 5.0MM, EURO HEADER, RIGHT ANGLE, MOUNTING |                           |                        |                              |                     |
|  |                               | 2 PLACES ± 0.13 ± .01                 | 1 PLACE ± 0.3 ± ---   | CHECKED BY<br>C. YORK    | DATE<br>01/06/06 |   |                           |                        |                              |                     |
|  |                               | 0 PLACE ± ±                           | ANGULAR ± 2 °<br>DRAFT WHERE APPLICABLE MUST REMAIN WITHIN DIMENSIONS |                          | APPROVED BY      | DATE                                      | MATERIAL NO.<br>SEE CHART |                        | DOCUMENT NO.<br>SD-39526-002 | SHEET NO.<br>2 OF 2 |
| THIS DRAWING CONTAINS INFORMATION THAT IS PROPRIETARY TO MOLEX INCORPORATED AND SHOULD NOT BE USED WITHOUT WRITTEN PERMISSION                  |                               |                                       |   |                          |                  |   |                           |                        |                              |                     |

| Description                                    | Circuit size | Material Numbers |           |           |                  |           |           |                  |           |           |                  |           |        | Dimensional Information |        |       |        |        |  |
|--|--------------|------------------|-----------|-----------|------------------|-----------|-----------|------------------|-----------|-----------|------------------|-----------|--------|-------------------------|--------|-------|--------|--------|--|
|  |              | Black            |           |           |                  |           |           | Green            |           |           |                  |           |        |                         |        |       |        |        |  |
|  |              | 100% Tin         |           |           | 30 u" Gold       |           |           | 100% Tin         |           |           | 30 u" Gold       |           |        | Dim. A                  |        | Dim B |        | Dim. C |  |
|  |              | Printing Options |           |           | Printing Options |           |           | Printing Options |           |           | Printing Options |           |        |                         |        |       |        |        |  |
| None   | 10A          | 11A              | None      | 10A       | 11A              | None      | 10A       | 11A              | None      | 10A       | 11A              | mm        | inch   | mm                      | inch   | mm    | inch   |        |  |
| 5.0mm, Euro Header, Right Angle, Mounting Ends | 2            | 395260002        | 395260102 | 395260202 | 395260502        | 395260602 | 395260702 | 395265002        | 395265102 | 395265202 | 395265502        | 395265702 | 20.00  | 0.787                   | 5.00   | 0.197 | 15.00  | 0.591  |  |
| 5.0mm, Euro Header, Right Angle, Mounting Ends | 3            | 395260003        | 395260103 | 395260203 | 395260503        | 395260603 | 395260703 | 395265003        | 395265103 | 395265203 | 395265503        | 395265703 | 25.00  | 0.984                   | 10.00  | 0.394 | 20.00  | 0.787  |  |
| 5.0mm, Euro Header, Right Angle, Mounting Ends | 4            | 395260004        | 395260104 | 395260204 | 395260504        | 395260604 | 395260704 | 395265004        | 395265104 | 395265204 | 395265504        | 395265704 | 30.00  | 1.181                   | 15.00  | 0.591 | 25.00  | 0.984  |  |
| 5.0mm, Euro Header, Right Angle, Mounting Ends | 5            | 395260005        | 395260105 | 395260205 | 395260505        | 395260605 | 395260705 | 395265005        | 395265105 | 395265205 | 395265505        | 395265705 | 35.00  | 1.378                   | 20.00  | 0.787 | 30.00  | 1.181  |  |
| 5.0mm, Euro Header, Right Angle, Mounting Ends | 6            | 395260006        | 395260106 | 395260206 | 395260506        | 395260606 | 395260706 | 395265006        | 395265106 | 395265206 | 395265506        | 395265706 | 40.00  | 1.575                   | 25.00  | 0.984 | 35.00  | 1.378  |  |
| 5.0mm, Euro Header, Right Angle, Mounting Ends | 7            | 395260007        | 395260107 | 395260207 | 395260507        | 395260607 | 395260707 | 395265007        | 395265107 | 395265207 | 395265507        | 395265707 | 45.00  | 1.772                   | 30.00  | 1.181 | 40.00  | 1.575  |  |
| 5.0mm, Euro Header, Right Angle, Mounting Ends | 8            | 395260008        | 395260108 | 395260208 | 395260508        | 395260608 | 395260708 | 395265008        | 395265108 | 395265208 | 395265508        | 395265708 | 50.00  | 1.969                   | 35.00  | 1.378 | 45.00  | 1.772  |  |
| 5.0mm, Euro Header, Right Angle, Mounting Ends | 9            | 395260009        | 395260109 | 395260209 | 395260509        | 395260609 | 395260709 | 395265009        | 395265109 | 395265209 | 395265509        | 395265709 | 55.00  | 2.165                   | 40.00  | 1.575 | 50.00  | 1.969  |  |
| 5.0mm, Euro Header, Right Angle, Mounting Ends | 10           | 395260010        | 395260110 | 395260210 | 395260510        | 395260610 | 395260710 | 395265010        | 395265110 | 395265210 | 395265510        | 395265710 | 60.00  | 2.362                   | 45.00  | 1.772 | 55.00  | 2.165  |  |
| 5.0mm, Euro Header, Right Angle, Mounting Ends | 11           | 395260011        | 395260111 | 395260211 | 395260511        | 395260611 | 395260711 | 395265011        | 395265111 | 395265211 | 395265511        | 395265711 | 65.00  | 2.559                   | 50.00  | 1.969 | 60.00  | 2.362  |  |
| 5.0mm, Euro Header, Right Angle, Mounting Ends | 12           | 395260012        | 395260112 | 395260212 | 395260512        | 395260612 | 395260712 | 395265012        | 395265112 | 395265212 | 395265512        | 395265712 | 70.00  | 2.756                   | 55.00  | 2.165 | 65.00  | 2.559  |  |
| 5.0mm, Euro Header, Right Angle, Mounting Ends | 13           | 395260013        | 395260113 | 395260213 | 395260513        | 395260613 | 395260713 | 395265013        | 395265113 | 395265213 | 395265513        | 395265713 | 75.00  | 2.953                   | 60.00  | 2.362 | 70.00  | 2.756  |  |
| 5.0mm, Euro Header, Right Angle, Mounting Ends | 14           | 395260014        | 395260114 | 395260214 | 395260514        | 395260614 | 395260714 | 395265014        | 395265114 | 395265214 | 395265514        | 395265714 | 80.00  | 3.150                   | 65.00  | 2.559 | 75.00  | 2.953  |  |
| 5.0mm, Euro Header, Right Angle, Mounting Ends | 15           | 395260015        | 395260115 | 395260215 | 395260515        | 395260615 | 395260715 | 395265015        | 395265115 | 395265215 | 395265515        | 395265715 | 85.00  | 3.346                   | 70.00  | 2.756 | 80.00  | 3.150  |  |
| 5.0mm, Euro Header, Right Angle, Mounting Ends | 16           | 395260016        | 395260116 | 395260216 | 395260516        | 395260616 | 395260716 | 395265016        | 395265116 | 395265216 | 395265516        | 395265716 | 90.00  | 3.543                   | 75.00  | 2.953 | 85.00  | 3.346  |  |
| 5.0mm, Euro Header, Right Angle, Mounting Ends | 17           | 395260017        | 395260117 | 395260217 | 395260517        | 395260617 | 395260717 | 395265017        | 395265117 | 395265217 | 395265517        | 395265717 | 95.00  | 3.740                   | 80.00  | 3.150 | 90.00  | 3.543  |  |
| 5.0mm, Euro Header, Right Angle, Mounting Ends | 18           | 395260018        | 395260118 | 395260218 | 395260518        | 395260618 | 395260718 | 395265018        | 395265118 | 395265218 | 395265518        | 395265718 | 100.00 | 3.937                   | 85.00  | 3.346 | 95.00  | 3.740  |  |
| 5.0mm, Euro Header, Right Angle, Mounting Ends | 19           | 395260019        | 395260119 | 395260219 | 395260519        | 395260619 | 395260719 | 395265019        | 395265119 | 395265219 | 395265519        | 395265719 | 105.00 | 4.134                   | 90.00  | 3.543 | 100.00 | 3.937  |  |
| 5.0mm, Euro Header, Right Angle, Mounting Ends | 20           | 395260020        | 395260120 | 395260220 | 395260520        | 395260620 | 395260720 | 395265020        | 395265120 | 395265220 | 395265520        | 395265720 | 110.00 | 4.331                   | 95.00  | 3.740 | 105.00 | 4.134  |  |
| 5.0mm, Euro Header, Right Angle, Mounting Ends | 21           | 395260021        | 395260121 | 395260221 | 395260521        | 395260621 | 395260721 | 395265021        | 395265121 | 395265221 | 395265521        | 395265721 | 115.00 | 4.528                   | 100.00 | 3.937 | 110.00 | 4.331  |  |
| 5.0mm, Euro Header, Right Angle, Mounting Ends | 22           | 395260022        | 395260122 | 395260222 | 395260522        | 395260622 | 395260722 | 395265022        | 395265122 | 395265222 | 395265522        | 395265722 | 120.00 | 4.724                   | 105.00 | 4.134 | 115.00 | 4.528  |  |
| 5.0mm, Euro Header, Right Angle, Mounting Ends | 23           | 395260023        | 395260123 | 395260223 | 395260523        | 395260623 | 395260723 | 395265023        | 395265123 | 395265223 | 395265523        | 395265723 | 125.00 | 4.921                   | 110.00 | 4.331 | 120.00 | 4.724  |  |
| 5.0mm, Euro Header, Right Angle, Mounting Ends | 24           | 395260024        | 395260124 | 395260224 | 395260524        | 395260624 | 395260724 | 395265024        | 395265124 | 395265224 | 395265524        | 395265724 | 130.00 | 5.118                   | 115.00 | 4.528 | 125.00 | 4.921  |  |

|  |   |  |  |  |
|--|---|--|--|--|
| SEE SHEET 1<br>EC NO: NEC02006-0310<br>DRWN: LROTHAUS 2006/01/09<br>CHKD: CYORK 2006/01/09<br>APPR: J.P.A.M.L.I.C.K 2006/01/10 | QUALITY SYMBOLS<br>▽=0<br>▽=0   | GENERAL TOLERANCES (UNLESS SPECIFIED)<br>mm INCH<br>4 PLACES ± --- ±.0015<br>3 PLACES ±0.038 ±.005<br>2 PLACES ±0.13 ±.01<br>1 PLACE ±0.3 ± ---<br>ANGULAR ± 2 ° | DIMENSION STYLE<br>MM/IN<br>DRAWN BY DATE<br>LROTHAUS 12/6/05<br>CHECKED BY DATE<br>C. YORK 01/04/06<br>APPROVED BY DATE | SCALE<br>4:1<br>DESIGN UNITS<br>INCH<br>THIRD ANGLE PROJECTION |
|  | DESCRIPTION<br>A  | DRAFT WHERE APPLICABLE<br>MUST REMAIN WITHIN DIMENSIONS  | MATERIAL NO.<br>SEE CHART  | TITLE<br>5.0MM, EURO HEADER, RIGH ANGLE, MOUNTING              |
|  | REV   | SHEET NO.<br>2 OF 2  | DOCUMENT NO.<br>SD-39526-002   | MOLEX INCORPORATED   |
|  | THIS DRAWING CONTAINS INFORMATION THAT IS PROPRIETARY TO MOLEX INCORPORATED AND SHOULD NOT BE USED WITHOUT WRITTEN PERMISSION |  |  |  |