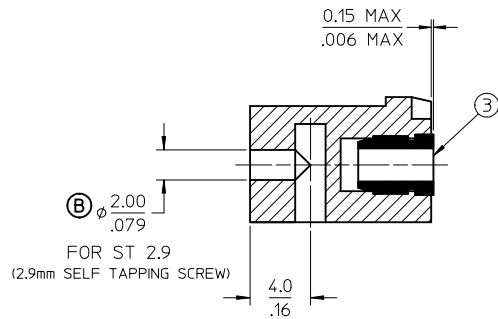
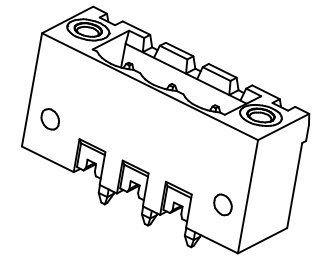
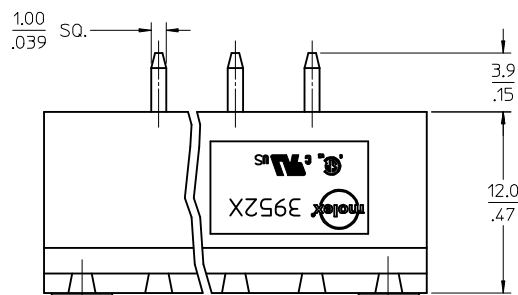
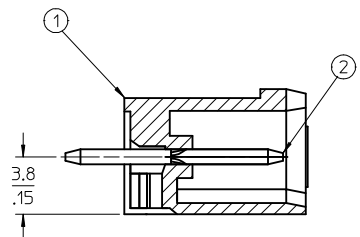


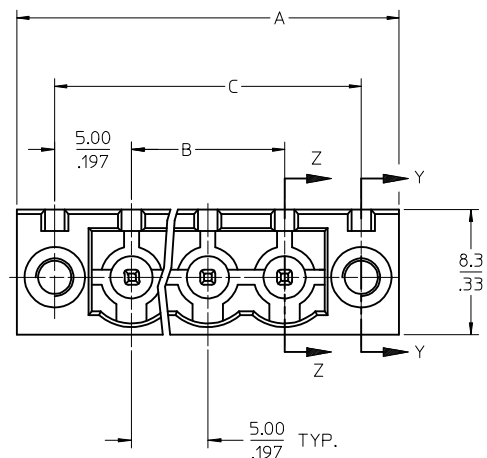
Ⓑ PCB LAYOUT



SECTION Y-Y



SECTION Z-Z



SPECIFICATIONS:

1. Material:
 - (1). Body: PA66
 - (2). Pin: Brass
 - (3). Threaded insert: Brass
2. Wire range: N/A
3. Electrical rating: 300V, 15A
4. Wire strip length: N/A
5. Operating temperature: -40C to +105C
6. Max torque: N/A
7. Insulation resistance: DC 500V, 500M
8. Dielectric withstand: AC 2500V for 1 minute
9. Breakdown voltage: 4000V.
10. A = (B + 15.0mm)
11. B = (N - 1) x P
13. C = (B + 10mm)
12. P (PITCH) = 5.0mm (.197")
13. N = Number of positions available 2 through 24
14. Dims shown are for reference only

| | |
|---------------------|------------|
| ADD DIMS & PCB LYT | 2016/03/22 |
| EC NO: IPG2016-1279 | |
| IDRWINRSTONE | 2016/03/28 |
| CHKD:M ZIEHL INSK | 2016/03/28 |
| APPR:BRUPERT | 2016/03/25 |

| | |
|-----------------|-------------|
| QUALITY SYMBOLS | DESCRIPTION |
| ▽=0 | |
| ▽=0 | |

| | |
|--|-----------------|
| GENERAL TOLERANCES (UNLESS SPECIFIED) | |
| | mm INCH |
| 4 PLACES | ± .0015 ± .0015 |
| 3 PLACES | ± 0.038 ± .005 |
| 2 PLACES | ± 0.13 ± .01 |
| 1 PLACE | ± 0.3 ± .--- |
| 0 PLACE | ± ± |
| ANGULAR ± 2 ° | |
| DRAFT WHERE APPLICABLE MUST REMAIN WITHIN DIMENSIONS | |

| | | | | |
|-----------------|----------|--|--------------|------------------------|
| DIMENSION STYLE | | SCALE | DESIGN UNITS | THIRD ANGLE PROJECTION |
| MM/IN | | 4:1 | INCH | |
| DRAWN BY | DATE | TITLE | | |
| LROTHAUS | 12/6/05 | 5.0MM, EURO HEADER, VERTICAL, MOUNTING | | |
| CHECKED BY | DATE | | | |
| C. YORK | 01/06/06 | | | |
| APPROVED BY | DATE | MATERIAL NO. | DOCUMENT NO. | SHEET NO. |
| | | SEE SHEET 2 | SD-39525-002 | 1 OF 2 |

THIS DRAWING CONTAINS INFORMATION THAT IS PROPRIETARY TO MOLEX. INCORPORATED AND SHOULD NOT BE USED WITHOUT WRITTEN PERMISSION

| Description | Circuit Size | Material Numbers | | | | | | | | | | | Dimensional Information | | | | | | | | |
|---|-----------------|------------------|-----------|-----------|------------------|-----------|-----------|------------------|-----------|-----------|------------------|-----------|-------------------------|-------|--------|-------|--------|-------|--|--|--|
| | | Black | | | | | | Green | | | | | Dim A | | Dim D | | Dim C | | | | |
| | | 100% Tin | | | 30 u" Cold | | | 100% Tin | | | 30 u" Cold | | mm | inch | mm | inch | mm | inch | | | |
| | | Printing Options | | | Printing Options | | | Printing Options | | | Printing Options | | | | | | | | | | |
| | None | 10AV | 11AV | None | 10AV | 11AV | None | 10AV | 11AV | None | 10AV | 11AV | None | 10AV | 11AV | | | | | | |
| 5.0mm, Euro Header, Vertical, Mounting Ends | 2 | 395250002 | 395250302 | 395250402 | 395250502 | 395250602 | 395250902 | 395255002 | 395255302 | 395255402 | 395255602 | 395255902 | 20.00 | 0.787 | 5.00 | 0.197 | 15.00 | 0.591 | | | |
| 5.0mm, Euro Header, Vertical, Mounting Ends | 3 | 395250003 | 395250303 | 395250403 | 395250503 | 395250603 | 395250903 | 395255003 | 395255303 | 395255403 | 395255603 | 395255903 | 25.00 | 0.984 | 10.00 | 0.394 | 20.00 | 0.787 | | | |
| 5.0mm, Euro Header, Vertical, Mounting Ends | 4 | 395250004 | 395250304 | 395250404 | 395250504 | 395250604 | 395250904 | 395255004 | 395255304 | 395255404 | 395255604 | 395255904 | 30.00 | 1.181 | 15.00 | 0.591 | 25.00 | 0.984 | | | |
| 5.0mm, Euro Header, Vertical, Mounting Ends | 5 | 395250005 | 395250305 | 395250405 | 395250505 | 395250605 | 395250905 | 395255005 | 395255305 | 395255405 | 395255605 | 395255905 | 35.00 | 1.378 | 20.00 | 0.787 | 30.00 | 1.181 | | | |
| 5.0mm, Euro Header, Vertical, Mounting Ends | 6 | 395250006 | 395250306 | 395250406 | 395250506 | 395250606 | 395250906 | 395255006 | 395255306 | 395255406 | 395255606 | 395255906 | 40.00 | 1.575 | 25.00 | 0.984 | 35.00 | 1.378 | | | |
| 5.0mm, Euro Header, Vertical, Mounting Ends | 7 | 395250007 | 395250307 | 395250407 | 395250507 | 395250607 | 395250907 | 395255007 | 395255307 | 395255407 | 395255607 | 395255907 | 45.00 | 1.772 | 30.00 | 1.181 | 40.00 | 1.575 | | | |
| 5.0mm, Euro Header, Vertical, Mounting Ends | 8 | 395250008 | 395250308 | 395250408 | 395250508 | 395250608 | 395250908 | 395255008 | 395255308 | 395255408 | 395255608 | 395255908 | 50.00 | 1.969 | 35.00 | 1.378 | 45.00 | 1.772 | | | |
| 5.0mm, Euro Header, Vertical, Mounting Ends | 9 | 395250009 | 395250309 | 395250409 | 395250509 | 395250609 | 395250909 | 395255009 | 395255309 | 395255409 | 395255609 | 395255909 | 55.00 | 2.166 | 40.00 | 1.575 | 50.00 | 1.969 | | | |
| 5.0mm, Euro Header, Vertical, Mounting Ends | 10 | 395250010 | 395250310 | 395250410 | 395250510 | 395250610 | 395250910 | 395255010 | 395255310 | 395255410 | 395255610 | 395255910 | 60.00 | 2.362 | 45.00 | 1.772 | 55.00 | 2.166 | | | |
| 5.0mm, Euro Header, Vertical, Mounting Ends | 11 | 395250011 | 395250311 | 395250411 | 395250511 | 395250611 | 395250911 | 395255011 | 395255311 | 395255411 | 395255611 | 395255911 | 65.00 | 2.559 | 50.00 | 1.969 | 60.00 | 2.362 | | | |
| 5.0mm, Euro Header, Vertical, Mounting Ends | 12 | 395250012 | 395250312 | 395250412 | 395250512 | 395250612 | 395250912 | 395255012 | 395255312 | 395255412 | 395255612 | 395255912 | 70.00 | 2.756 | 55.00 | 2.166 | 65.00 | 2.559 | | | |
| 5.0mm, Euro Header, Vertical, Mounting Ends | 13 | 395250013 | 395250313 | 395250413 | 395250513 | 395250613 | 395250913 | 395255013 | 395255313 | 395255413 | 395255613 | 395255913 | 75.00 | 2.953 | 60.00 | 2.362 | 70.00 | 2.756 | | | |
| 5.0mm, Euro Header, Vertical, Mounting Ends | 14 | 395250014 | 395250314 | 395250414 | 395250514 | 395250614 | 395250914 | 395255014 | 395255314 | 395255414 | 395255614 | 395255914 | 80.00 | 3.150 | 65.00 | 2.559 | 75.00 | 2.953 | | | |
| 5.0mm, Euro Header, Vertical, Mounting Ends | 15 | 395250015 | 395250315 | 395250415 | 395250515 | 395250615 | 395250915 | 395255015 | 395255315 | 395255415 | 395255615 | 395255915 | 85.00 | 3.346 | 70.00 | 2.756 | 80.00 | 3.150 | | | |
| 5.0mm, Euro Header, Vertical, Mounting Ends | 16 | 395250016 | 395250316 | 395250416 | 395250516 | 395250616 | 395250916 | 395255016 | 395255316 | 395255416 | 395255616 | 395255916 | 90.00 | 3.543 | 75.00 | 2.953 | 85.00 | 3.346 | | | |
| 5.0mm, Euro Header, Vertical, Mounting Ends | 17 | 395250017 | 395250317 | 395250417 | 395250517 | 395250617 | 395250917 | 395255017 | 395255317 | 395255417 | 395255617 | 395255917 | 95.00 | 3.740 | 80.00 | 3.150 | 90.00 | 3.543 | | | |
| 5.0mm, Euro Header, Vertical, Mounting Ends | 18 | 395250018 | 395250318 | 395250418 | 395250518 | 395250618 | 395250918 | 395255018 | 395255318 | 395255418 | 395255618 | 395255918 | 100.00 | 3.937 | 85.00 | 3.346 | 95.00 | 3.740 | | | |
| 5.0mm, Euro Header, Vertical, Mounting Ends | 19 | 395250019 | 395250319 | 395250419 | 395250519 | 395250619 | 395250919 | 395255019 | 395255319 | 395255419 | 395255619 | 395255919 | 105.00 | 4.134 | 90.00 | 3.543 | 100.00 | 3.937 | | | |
| 5.0mm, Euro Header, Vertical, Mounting Ends | 20 | 395250020 | 395250320 | 395250420 | 395250520 | 395250620 | 395250920 | 395255020 | 395255320 | 395255420 | 395255620 | 395255920 | 110.00 | 4.331 | 95.00 | 3.740 | 105.00 | 4.134 | | | |
| 5.0mm, Euro Header, Vertical, Mounting Ends | 21 | 395250021 | 395250321 | 395250421 | 395250521 | 395250621 | 395250921 | 395255021 | 395255321 | 395255421 | 395255621 | 395255921 | 115.00 | 4.528 | 100.00 | 3.937 | 110.00 | 4.331 | | | |
| 5.0mm, Euro Header, Vertical, Mounting Ends | 22 | 395250022 | 395250322 | 395250422 | 395250522 | 395250622 | 395250922 | 395255022 | 395255322 | 395255422 | 395255622 | 395255922 | 120.00 | 4.724 | 105.00 | 4.134 | 115.00 | 4.528 | | | |
| 5.0mm, Euro Header, Vertical, Mounting Ends | 23 | 395250023 | 395250323 | 395250423 | 395250523 | 395250623 | 395250923 | 395255023 | 395255323 | 395255423 | 395255623 | 395255923 | 125.00 | 4.921 | 110.00 | 4.331 | 120.00 | 4.724 | | | |
| 5.0mm, Euro Header, Vertical, Mounting Ends | 24 | 395250024 | 395250324 | 395250424 | 395250524 | 395250624 | 395250924 | 395255024 | 395255324 | 395255424 | 395255624 | 395255924 | 130.00 | 5.118 | 115.00 | 4.528 | 125.00 | 4.921 | | | |

SHT-2 WAS ME10 DOC
 EC NO: IFC2016-1279
 DRUMHURSTONE 2016/03/22
 CHKDH ZIEIL INSKI 2016/03/28
 APPR: BRUPERT 2016/03/25

QUALITY SYMBOLS
 ▽=0
 ▽=0

GENERAL TOLERANCES (UNLESS SPECIFIED)

| | | |
|----------|---------|---------|
| | mm | INCH |
| 4 PLACES | ± --- | ± .0015 |
| 3 PLACES | ± 0.038 | ± .005 |
| 2 PLACES | ± 0.13 | ± .01 |
| 1 PLACE | ± 0.3 | ± --- |
| 0 PLACE | ± | ± |

ANGULAR ± 2 °
 DRAFT WHERE APPLICABLE
 MUST REMAIN WITHIN DIMENSIONS

DIMENSION STYLE
MM/IN

DRAWN BY DATE
 LROTHAUS 12/6/05

CHECKED BY DATE
 C. YORK 01/06/06

APPROVED BY DATE

SCALE
1:1

DESIGN UNITS
INCH

THIRD ANGLE PROJECTION

5.0MM, EURO HEADER, VERTICAL, MOUNTING

molex

MATERIAL NO. **SEE CHART**

DOCUMENT NO. **SD-39525-002**

SHEET NO. **2 OF 2**

THIS DRAWING CONTAINS INFORMATION THAT IS PROPRIETARY TO MOLEX INCORPORATED AND SHOULD NOT BE USED WITHOUT WRITTEN PERMISSION

| Description | Circuit size | Material Numbers | | | | | | | | | | | Dimensional Information | | | | | | |
|---|--------------|------------------|-----------|-----------|------------------|-----------|-----------|------------------|-----------|-----------|------------------|-----------|-------------------------|--------|--------|--------|--------|--------|-------|
| | | Black | | | | | | Green | | | | | Dim. A | | Dim. B | | Dim. C | | |
| | | 100% Tin | | | 30 u" Gold | | | 100% Tin | | | 30 u" Gold | | mm | inch | mm | inch | mm | inch | |
| | | Printing Options | | | Printing Options | | | Printing Options | | | Printing Options | | | | | | | | |
| None | 10AV | 11AV | None | 10AV | 11AV | None | 10AV | 11AV | None | 10AV | 11AV | | | | | | | | |
| 5.0mm, Euro Header, Vertical, Mounting Ends | 2 | 395250002 | 395250302 | 395250402 | 395250602 | 395250802 | 395250902 | 395250002 | 395250302 | 395250402 | 395250502 | 395250602 | 395250702 | 20.00 | 0.787 | 5.00 | 0.197 | 15.00 | 0.591 |
| 5.0mm, Euro Header, Vertical, Mounting Ends | 3 | 395250003 | 395250303 | 395250403 | 395250603 | 395250803 | 395250903 | 395250003 | 395250303 | 395250403 | 395250503 | 395250603 | 395250703 | 25.00 | 0.984 | 10.00 | 0.394 | 20.00 | 0.787 |
| 5.0mm, Euro Header, Vertical, Mounting Ends | 4 | 395250004 | 395250304 | 395250404 | 395250604 | 395250804 | 395250904 | 395250004 | 395250304 | 395250404 | 395250504 | 395250604 | 395250704 | 30.00 | 1.181 | 15.00 | 0.591 | 25.00 | 0.984 |
| 5.0mm, Euro Header, Vertical, Mounting Ends | 5 | 395250005 | 395250305 | 395250405 | 395250605 | 395250805 | 395250905 | 395250005 | 395250305 | 395250405 | 395250505 | 395250605 | 395250705 | 35.00 | 1.378 | 20.00 | 0.787 | 30.00 | 1.181 |
| 5.0mm, Euro Header, Vertical, Mounting Ends | 6 | 395250006 | 395250306 | 395250406 | 395250606 | 395250806 | 395250906 | 395250006 | 395250306 | 395250406 | 395250506 | 395250606 | 395250706 | 40.00 | 1.575 | 25.00 | 0.984 | 35.00 | 1.378 |
| 5.0mm, Euro Header, Vertical, Mounting Ends | 7 | 395250007 | 395250307 | 395250407 | 395250607 | 395250807 | 395250907 | 395250007 | 395250307 | 395250407 | 395250507 | 395250607 | 395250707 | 45.00 | 1.772 | 30.00 | 1.181 | 40.00 | 1.575 |
| 5.0mm, Euro Header, Vertical, Mounting Ends | 8 | 395250008 | 395250308 | 395250408 | 395250608 | 395250808 | 395250908 | 395250008 | 395250308 | 395250408 | 395250508 | 395250608 | 395250708 | 50.00 | 1.969 | 35.00 | 1.378 | 45.00 | 1.772 |
| 5.0mm, Euro Header, Vertical, Mounting Ends | 9 | 395250009 | 395250309 | 395250409 | 395250609 | 395250809 | 395250909 | 395250009 | 395250309 | 395250409 | 395250509 | 395250609 | 395250709 | 55.00 | 2.165 | 40.00 | 1.575 | 50.00 | 1.969 |
| 5.0mm, Euro Header, Vertical, Mounting Ends | 10 | 395250010 | 395250310 | 395250410 | 395250610 | 395250810 | 395250910 | 395250010 | 395250310 | 395250410 | 395250510 | 395250610 | 395250710 | 60.00 | 2.362 | 45.00 | 1.772 | 55.00 | 2.165 |
| 5.0mm, Euro Header, Vertical, Mounting Ends | 11 | 395250011 | 395250311 | 395250411 | 395250611 | 395250811 | 395250911 | 395250011 | 395250311 | 395250411 | 395250511 | 395250611 | 395250711 | 65.00 | 2.559 | 50.00 | 1.969 | 60.00 | 2.362 |
| 5.0mm, Euro Header, Vertical, Mounting Ends | 12 | 395250012 | 395250312 | 395250412 | 395250612 | 395250812 | 395250912 | 395250012 | 395250312 | 395250412 | 395250512 | 395250612 | 395250712 | 70.00 | 2.756 | 55.00 | 2.165 | 65.00 | 2.559 |
| 5.0mm, Euro Header, Vertical, Mounting Ends | 13 | 395250013 | 395250313 | 395250413 | 395250613 | 395250813 | 395250913 | 395250013 | 395250313 | 395250413 | 395250513 | 395250613 | 395250713 | 75.00 | 2.953 | 60.00 | 2.362 | 70.00 | 2.756 |
| 5.0mm, Euro Header, Vertical, Mounting Ends | 14 | 395250014 | 395250314 | 395250414 | 395250614 | 395250814 | 395250914 | 395250014 | 395250314 | 395250414 | 395250514 | 395250614 | 395250714 | 80.00 | 3.150 | 65.00 | 2.559 | 75.00 | 2.953 |
| 5.0mm, Euro Header, Vertical, Mounting Ends | 15 | 395250015 | 395250315 | 395250415 | 395250615 | 395250815 | 395250915 | 395250015 | 395250315 | 395250415 | 395250515 | 395250615 | 395250715 | 85.00 | 3.346 | 70.00 | 2.756 | 80.00 | 3.150 |
| 5.0mm, Euro Header, Vertical, Mounting Ends | 16 | 395250016 | 395250316 | 395250416 | 395250616 | 395250816 | 395250916 | 395250016 | 395250316 | 395250416 | 395250516 | 395250616 | 395250716 | 90.00 | 3.543 | 75.00 | 2.953 | 85.00 | 3.346 |
| 5.0mm, Euro Header, Vertical, Mounting Ends | 17 | 395250017 | 395250317 | 395250417 | 395250617 | 395250817 | 395250917 | 395250017 | 395250317 | 395250417 | 395250517 | 395250617 | 395250717 | 95.00 | 3.740 | 80.00 | 3.150 | 90.00 | 3.543 |
| 5.0mm, Euro Header, Vertical, Mounting Ends | 18 | 395250018 | 395250318 | 395250418 | 395250618 | 395250818 | 395250918 | 395250018 | 395250318 | 395250418 | 395250518 | 395250618 | 395250718 | 100.00 | 3.937 | 85.00 | 3.346 | 95.00 | 3.740 |
| 5.0mm, Euro Header, Vertical, Mounting Ends | 19 | 395250019 | 395250319 | 395250419 | 395250619 | 395250819 | 395250919 | 395250019 | 395250319 | 395250419 | 395250519 | 395250619 | 395250719 | 105.00 | 4.134 | 90.00 | 3.543 | 100.00 | 3.937 |
| 5.0mm, Euro Header, Vertical, Mounting Ends | 20 | 395250020 | 395250320 | 395250420 | 395250620 | 395250820 | 395250920 | 395250020 | 395250320 | 395250420 | 395250520 | 395250620 | 395250720 | 110.00 | 4.331 | 95.00 | 3.740 | 105.00 | 4.134 |
| 5.0mm, Euro Header, Vertical, Mounting Ends | 21 | 395250021 | 395250321 | 395250421 | 395250621 | 395250821 | 395250921 | 395250021 | 395250321 | 395250421 | 395250521 | 395250621 | 395250721 | 115.00 | 4.528 | 100.00 | 3.937 | 110.00 | 4.331 |
| 5.0mm, Euro Header, Vertical, Mounting Ends | 22 | 395250022 | 395250322 | 395250422 | 395250622 | 395250822 | 395250922 | 395250022 | 395250322 | 395250422 | 395250522 | 395250622 | 395250722 | 120.00 | 4.724 | 105.00 | 4.134 | 115.00 | 4.528 |
| 5.0mm, Euro Header, Vertical, Mounting Ends | 23 | 395250023 | 395250323 | 395250423 | 395250623 | 395250823 | 395250923 | 395250023 | 395250323 | 395250423 | 395250523 | 395250623 | 395250723 | 125.00 | 4.921 | 110.00 | 4.331 | 120.00 | 4.724 |
| 5.0mm, Euro Header, Vertical, Mounting Ends | 24 | 395250024 | 395250324 | 395250424 | 395250624 | 395250824 | 395250924 | 395250024 | 395250324 | 395250424 | 395250524 | 395250624 | 395250724 | 130.00 | 5.118 | 115.00 | 4.528 | 125.00 | 4.921 |

| | | | | | | |
|--|--|---|--|---|---|--|
| SEE SHEET 1 EC NO: NEC2006-0310 DRWNL: LROTHAUS 2006/01/09 CHKD: CYORK 2006/01/09 APPR: J.P.A.M.L.C.K 2006/01/10 | QUALITY SYMBOLS ▽=0 ▽=0 | GENERAL TOLERANCES (UNLESS SPECIFIED) mm INCH 4 PLACES ± --- ±.0015 3 PLACES ± 0.038 ±.005 2 PLACES ± 0.13 ±.01 1 PLACE ± 0.3 ± --- ANGULAR ± 2 ° | DIMENSION STYLE MM/IN DRAWN BY DATE LROTHAUS 12/6/05 CHECKED BY DATE C. YORK 01/04/06 APPROVED BY DATE | SCALE 4:1 DESIGN UNITS INCH THIRD ANGLE PROJECTION | TITLE 5.0MM, EURO HEADER, VERTICAL, MOUNTING | |
| | MATERIAL NO. SEE CHART | DOCUMENT NO. SD-39525-002 | SHEET NO. 2 OF 2 | MOLEX INCORPORATED | | |
| | DRAFT WHERE APPLICABLE MUST REMAIN WITHIN DIMENSIONS | | | THIS DRAWING CONTAINS INFORMATION THAT IS PROPRIETARY TO MOLEX INCORPORATED AND SHOULD NOT BE USED WITHOUT WRITTEN PERMISSION | | |
| | SIZE B | | | | | |