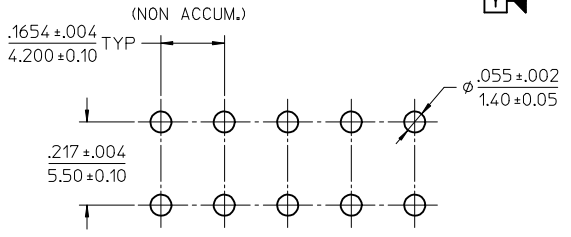
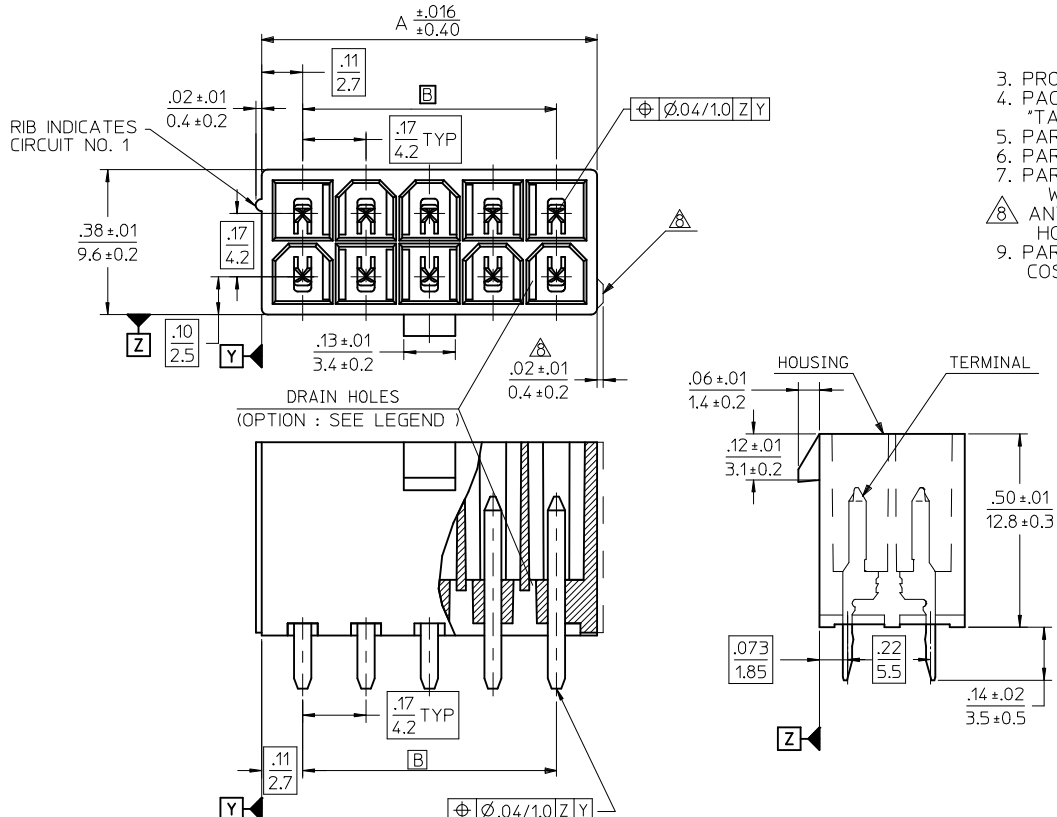
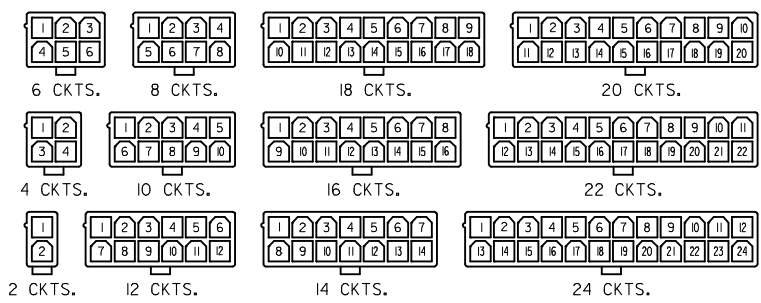


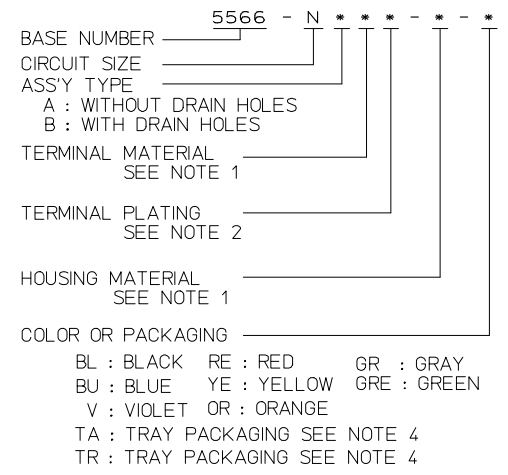
CIRCUIT SIZE	DIM. "A"	DIM. "B"
2	.21 (5.4)	—
4	.38 (9.6)	.17 (4.2)
6	.54 (13.8)	.33 (8.4)
8	.71 (18.0)	.50 (12.6)
10	.87 (22.2)	.66 (16.8)
12	1.04 (26.4)	.83 (21.0)
14	1.20 (30.6)	.99 (25.2)
16	1.37 (34.8)	1.16 (29.4)
18	1.54 (39.0)	1.32 (33.6)
20	1.70 (43.2)	1.49 (37.8)
22	1.87 (47.4)	1.65 (42.0)
24	2.03 (51.6)	1.82 (46.2)



RECOMMENDED HOLE LAYOUT FOR
.070(1.78) MAX. THICK P.C. BOARD
VIEWED FROM COMPONENT SIDE

- NOTES:
- MATERIALS:
HOUSING:
"BLANK"=NYLON 6/6, UL94V-2, COLOR: NATURAL
"210"=NYLON 6/6, UL94V-0, COLOR: NATURAL
"400"=NYLON 6/6, UL94V-0, COLOR: BLACK
TERMINALS:
"BLANK" = BRASS
"PB" = PHOSPHOR BRONZE
2. TERMINAL PLATING:
"BLANK" = BRIGHT TIN 0.00035/(0.00090) MIN.
OVER COPPER .000020/(0.00050) MIN. (BRASS)
TIN .000035/(0.00090) MIN. REFLOW TREATMENT
OR BRIGHT TIN .000035/(0.00090) MIN. (PHOSPHOR BRONZE)
"S"=.000100/(0.00254) MIN. BRIGHT TIN OVER
.000050/(0.00127) MIN NICKEL
"GS2"=.000015/(0.00038) MIN. SELECT GOLD AND
.000100/(0.00254) MIN. SELECT MATTE TIN
OVER .000050/(0.00127) MIN. NICKEL OVERALL
"GS"=.000030/(0.00076) MIN. SELECT GOLD AND
.000100/(0.00254) MIN. SELECT MATTE TIN
OVER .000050/(0.00127) MIN. NICKEL OVERALL
3. PRODUCT SPECIFICATION: PS-5556-001
4. PACKAGING: "BLANK"= BULK PACKED,
"TA"=TRAY PACK PER PK-5566-001, "TR"=TRAY PACK PER PK-5566
5. PART MATES WITH MINI-FIT JR. RECEPTACLE NO. 5557.
6. PART IS NOT DESIGNED FOR CURRENT SHARING.
7. PARTS ARE NOT DESIGNED TO BE MATED OR UN-MATED
WHILE CIRCUITS ARE LIVE.
8. ANTI-SHINGLING RIB MAY OR MAY NOT APPEAR ON
HOUSINGS.
9. PART CONFORMS TO CLASS "B" REQUIREMENTS OF
COSMETIC SPECIFICATION PS-45499-002.

LEGEND




ADD P/N'S EC NO: UCP2014-2112 DRAWN: NGUYEN CHKD: J.BELL APPR: FSMITH	REV L7	DESCRIPTION 2013/11/13 2013/11/13 2013/11/27	QUALITY SYMBOLS ▽=0 ▽=0 ▽=0	GENERAL TOLERANCES (UNLESS SPECIFIED)		DIMENSION STYLE IN/MM		SCALE 4:1	DESIGN UNITS METRIC	THIRD ANGLE PROJECTION					
				4 PLACES ± --- ± ---	3 PLACES ± --- ± .005	2 PLACES ± .13 ± .010	1 PLACE ± .25 ± ---	DRAWN BY H.HIRAMOTO	DATE '89/04/03	CHECKED BY M.FUKUSHIMA	DATE '94/04/20	APPROVED BY FSMITH	DATE 2012/05/04	MINI FIT JR VERTICAL HEADER ASSEMBLIES WITHOUT PEGS	
				ANGULAR ± 3 °		DRAFT WHERE APPLICABLE MUST REMAIN WITHIN DIMENSIONS		SEE TABLE		MATERIAL NO. DOCUMENT NO.		MATERIAL NO. SD-5566-002		SHEET NO. 1 OF 5	

THIS DRAWING CONTAINS INFORMATION THAT IS PROPRIETARY TO MOLEX INCORPORATED AND SHOULD NOT BE USED WITHOUT WRITTEN PERMISSION

13	12	11	10	9	8	7	6	5	4	3	2	1
39-29-5247	5566-24APB-2 IO	39-30-9245	5566-24AGS2-2 IO	39-29-6248	5566-24AGS-2 IO	39-30-6242	5566-24AS-2 IO	39-28-8240	5566-24A-2 IO			
▲ -5227	▲ -22APB-2 IO	▲ -9225	▲ -22AGS2-2 IO	▲ -6228	▲ -22AGS-2 IO	▲ -6222	▲ -22AS-2 IO	▲ -8220	▲ -22A-2 IO			
-5207	-20APB-2 IO	-9205	-20AGS2-2 IO	-6208	-20AGS-2 IO	-6202	-20AS-2 IO	-8200	-20A-2 IO			
-5187	-18APB-2 IO	-9185	-18AGS2-2 IO	-6188	-18AGS-2 IO	-6182	-18AS-2 IO	-8180	-18A-2 IO			
-5167	-16APB-2 IO	-9165	-16AGS2-2 IO	-6168	-16AGS-2 IO	-6162	-16AS-2 IO	-8160	-16A-2 IO			
-5147	-14APB-2 IO	-9145	-14AGS2-2 IO	-6148	-14AGS-2 IO	-6142	-14AS-2 IO	-8140	-14A-2 IO			
-5127	-12APB-2 IO	-9125	-12AGS2-2 IO	-6128	-12AGS-2 IO	-6122	-12AS-2 IO	-8120	-12A-2 IO			
-5107	-10APB-2 IO	-9105	-10AGS2-2 IO	-6108	-10AGS-2 IO	-6102	-10AS-2 IO	-8100	-10A-2 IO			
-5087	-08APB-2 IO	-9085	-08AGS2-2 IO	-6088	-08AGS-2 IO	-6082	-08AS-2 IO	-8080	-08A-2 IO			
-5067	-06APB-2 IO	-9065	-06AGS2-2 IO	-6068	-06AGS-2 IO	-6062	-06AS-2 IO	-8060	-06A-2 IO			
▼ -5047	▼ -04APB-2 IO	▼ -9045	▼ -04AGS2-2 IO	▼ -6048	▼ -04AGS-2 IO	▼ -6042	▼ -04AS-2 IO	▼ -8040	▼ -04A-2 IO			
39-29-5027	5566-02APB-2 IO	39-30-9025	5566-02AGS2-2 IO	39-29-6028	5566-02AGS-2 IO	39-30-6022	5566-02AS-2 IO	39-28-8020	5566-02A-2 IO			
EDP NO.	ENG. NO.	EDP NO.	ENG. NO.	EDP NO.	ENG. NO.	EDP NO.	ENG. NO.	EDP NO.	ENG. NO.			
5566-NAPB-2 IO		5566-NAGS2-2 IO		5566-NAGS-2 IO		5566-NAS-2 IO		5566-NA-2 IO				
39-29-5246	5566-24APB	39-30-9244	5566-24AGS2	39-29-0243	5566-24AGS	39-30-6241	5566-24AS	39-28-1243	5566-24A			
▲ -5226	▲ -22APB	▲ -9224	▲ -22AGS2	▲ -0223	▲ -22AGS	▲ -6221	▲ -22AS	▲ -1223	▲ -22A			
-5206	-20APB	-9204	-20AGS2	-0203	-20AGS	-6201	-20AS	-1203	-20A			
-5186	-18APB	-9184	-18AGS2	-0183	-18AGS	-6181	-18AS	-1183	-18A			
-5166	-16APB	-9164	-16AGS2	-0163	-16AGS	-6161	-16AS	-1163	-16A			
-5146	-14APB	-9144	-14AGS2	-0143	-14AGS	-6141	-14AS	-1143	-14A			
-5126	-12APB	-9124	-12AGS2	-0123	-12AGS	-6121	-12AS	-1123	-12A			
-5106	-10APB	-9104	-10AGS2	-0103	-10AGS	-6101	-10AS	-1103	-10A			
-5086	-08APB	-9084	-08AGS2	-0083	-08AGS	-6081	-08AS	-1083	-08A			
-5066	-06APB	-9064	-06AGS2	-0063	-06AGS	-6061	-06AS	-1063	-06A			
▼ -5046	▼ -04APB	▼ -9044	▼ -04AGS2	▼ -0043	▼ -04AGS	▼ -6041	▼ -04AS	▼ -1043	▼ -04A			
39-29-5026	5566-02APB	39-30-9024	5566-02AGS2	39-29-0023	5566-02AGS	39-30-6021	5566-02AS	39-28-1023	5566-02A			
EDP NO.	ENG. NO.	EDP NO.	ENG. NO.	EDP NO.	ENG. NO.	EDP NO.	ENG. NO.	EDP NO.	ENG. NO.			
5566-NAPB		5566-NAGS2		5566-NAGS		5566-NAS		5566-NA				

PARTS WITH OUT DRAIN HOLES

SEE SHEET 1 EC NO: UCP2014-2112 DRAWING NO: 2013/11/13 CHKD: J.BELL APPR: F.SMITH 2013/11/17	QUALITY SYMBOLS ▽ = 0 ▽ = 0 ▽ = 0	GENERAL TOLERANCES (UNLESS SPECIFIED)		DIMENSION STYLE IN/MM		SCALE 1:1	DESIGN UNITS METRIC	THIRD ANGLE PROJECTION		
						DRAWN BY DATE H.HIRAMOTO '89/04/03		TITLE MINI FIT JR VERTICAL HEADER ASSEMBLIES WITHOUT PEGS		
						CHECKED BY DATE M.FUKUSHIMA '94/04/20				
						APPROVED BY DATE F.SMITH 2012/05/04		 MOLEX INCORPORATED		
		ANGULAR ± 3 °		MATERIAL NO.		DOCUMENT NO.		SHEET NO.		
		DRAFT WHERE APPLICABLE MUST REMAIN WITHIN DIMENSIONS		SEE TABLE		SD-5566-002		2 OF 5		
				SIZE		THIS DRAWING CONTAINS INFORMATION THAT IS PROPRIETARY TO MOLEX INCORPORATED AND SHOULD NOT BE USED WITHOUT WRITTEN PERMISSION				

13	12	11	10	9	8	7	6	5	4	3	2	1
39-30-9247	5566-24BGS2-2 I0	39-31-0248	5566-24BGS-2 I0	39-31-0242	5566-24BS-2 I0	39-31-0240	5566-24B-2 I0	39-30-6244	5566-24APBS-2 I0	24		
▲ -9227	▲ -22BGS2-2 I0	▲ -0228	▲ -22BGS-2 I0	▲ -0222	▲ -22BS-2 I0	▲ -0220	▲ -22B-2 I0	▲ -6224	▲ -22APBS-2 I0	22		
-9207	-20BGS2-2 I0	-0208	-20BGS-2 I0	-0202	-20BS-2 I0	-0200	-20B-2 I0	-6204	-20APBS-2 I0	20		
-9187	-18BGS2-2 I0	-0188	-18BGS-2 I0	-0182	-18BS-2 I0	-0180	-18B-2 I0	-6184	-18APBS-2 I0	18		
-9167	-16BGS2-2 I0	-0168	-16BGS-2 I0	-0162	-16BS-2 I0	-0160	-16B-2 I0	-6164	-16APBS-2 I0	16		
-9147	-14BGS2-2 I0	-0148	-14BGS-2 I0	-0142	-14BS-2 I0	-0140	-14B-2 I0	-6144	-14APBS-2 I0	14		
-9127	-12BGS2-2 I0	-0128	-12BGS-2 I0	-0122	-12BS-2 I0	-0120	-12B-2 I0	-6124	-12APBS-2 I0	12		
-9107	-10BGS2-2 I0	-0108	-10BGS-2 I0	-0102	-10BS-2 I0	-0100	-10B-2 I0	-6104	-10APBS-2 I0	10		
-9087	-08BGS2-2 I0	-0088	-08BGS-2 I0	-0082	-08BS-2 I0	-0080	-08B-2 I0	-6084	-08APBS-2 I0	8		
-9067	-06BGS2-2 I0	-0068	-06BGS-2 I0	-0062	-06BS-2 I0	-0060	-06B-2 I0	-6064	-06APBS-2 I0	6		
▼ -9047	▼ -04BGS2-2 I0	▼ -0048	▼ -04BGS-2 I0	▼ -0042	▼ -04BS-2 I0	▼ -0040	▼ -04B-2 I0	▼ -6044	▼ -04APBS-2 I0	4		
39-30-9027	5566-02BGS2-2 I0	39-31-0028	5566-02BGS-2 I0	39-31-0022	5566-02BS-2 I0	39-31-0020	5566-02B-2 I0	39-30-6024	5566-02APBS-2 I0	2		
EDP NO.	ENG. NO.	EDP NO.	ENG. NO.	EDP NO.	ENG. NO.	EDP NO.	ENG. NO.	EDP NO.	ENG. NO.			
5566-NBGS2-2 I0		5566-NBGS-2 I0		5566-NBS-2 I0		5566-NB-2 I0		5566-NAPBS-2 I0				CKT. SIZE
39-30-9246	5566-24BGS2	39-31-0247	5566-24BGS	39-31-0241	5566-24BS	39-29-3246	5566-24B	39-30-6243	5566-24APBS	24		
▲ -9226	▲ -22BGS2	▲ -0227	▲ -22BGS	▲ -0221	▲ -22BS	▲ -3226	▲ -22B	▲ -6223	▲ -22APBS	22		
-9206	-20BGS2	-0207	-20BGS	-0201	-20BS	-3206	-20B	-6203	-20APBS	20		
-9186	-18BGS2	-0187	-18BGS	-0181	-18BS	-3186	-18B	-6183	-18APBS	18		
-9166	-16BGS2		-16BGS	-0161	-16BS	-3166	-16B	-6163	-16APBS	16		
-9146	-14BGS2	-0147	-14BGS	-0141	-14BS	-3146	-14B	-6143	-14APBS	14		
-9126	-12BGS2	-0127	-12BGS	-0121	-12BS	-3126	-12B	-6123	-12APBS	12		
-9106	-10BGS2	-0107	-10BGS	-0101	-10BS	-3106	-10B	-6103	-10APBS	10		
-9086	-08BGS2	-0087	-08BGS	-0081	-08BS	-3086	-08B	-6083	-08APBS	8		
-9066	-06BGS2	-0067	-06BGS	-0061	-06BS	-3066	-06B	-6063	-06APBS	6		
▼ -9046	▼ -04BGS2	▼ -0047	▼ -04BGS	▼ -0041	▼ -04BS	▼ -3046	▼ -04B	▼ -6043	▼ -04APBS	4		
39-30-9026	5566-02BGS2	39-31-0027	5566-02BGS	39-31-0021	5566-02BS	39-29-3026	5566-02B	39-30-6023	5566-02APBS	2		
EDP NO.	ENG. NO.	EDP NO.	ENG. NO.	EDP NO.	ENG. NO.	EDP NO.	ENG. NO.	EDP NO.	ENG. NO.			CKT. SIZE
5566-NBGS2		5566-NBGS		5566-NBS		5566-NB		5566-NAPBS				
39-31-0245	5566-24BPBS	39-31-0243	5566-24BPB	39-31-0246	5566-24BPBS-2 I0	39-31-0244	5566-24BPB-2 I0	24				
▲ -0225	▲ -22BPBS	▲ -0223	▲ -22BPB	▲ -0226	▲ -22BPBS-2 I0	▲ -0224	▲ -22BPB-2 I0	22				
-0205	-20BPBS	-0203	-20BPB	-0206	-20BPBS-2 I0	-0204	-20BPB-2 I0	20				
-0185	-18BPBS	-0183	-18BPB	-0186	-18BPBS-2 I0	-0184	-18BPB-2 I0	18				
-0165	-16BPBS	-0163	-16BPB	-0166	-16BPBS-2 I0	-0164	-16BPB-2 I0	16				
-0145	-14BPBS	-0143	-14BPB	-0146	-14BPBS-2 I0	-0144	-14BPB-2 I0	14				
-0125	-12BPBS	-0123	-12BPB	-0126	-12BPBS-2 I0	-0124	-12BPB-2 I0	12				
-0105	-10BPBS	-0103	-10BPB	-0106	-10BPBS-2 I0	-0104	-10BPB-2 I0	10				
-0085	-08BPBS	-0083	-08BPB	-0086	-08BPBS-2 I0	-0084	-08BPB-2 I0	8				
-0065	-06BPBS	-0063	-06BPB	-0066	-06BPBS-2 I0	-0064	-06BPB-2 I0	6				
▼ -0045	▼ -04BPBS	▼ -0043	▼ -04BPB	▼ -0046	▼ -04BPBS-2 I0	▼ -0044	▼ -04BPB-2 I0	4				
39-31-0025	5566-02BPBS	39-31-0023	5566-02BPB	39-31-0026	5566-02BPBS-2 I0	39-31-0024	5566-02BPB-2 I0	2				
EDP NO.	ENG. NO.	EDP NO.	ENG. NO.	EDP NO.	ENG. NO.	EDP NO.	ENG. NO.					CKT. SIZE
5566-NBPBS		5566-NBPB		5566-NBPBS-2 I0		5566-NBPB-2 I0						

PARTS WITH DRAIN HOLES

SEE SHEET 1 EC NO: UCP2014-212 DRAWING NO: 2013/11/13 CHKD: J.BELL APPR: FSMITH 2013/11/13 2013/11/13	QUALITY SYMBOLS ▽=0 ▽=0 ▽=0	GENERAL TOLERANCES (UNLESS SPECIFIED)		DIMENSION STYLE IN/MM		SCALE 1:1	DESIGN UNITS METRIC	THIRD ANGLE PROJECTION		
		4 PLACES ± --- INCH 3 PLACES ± --- ±.005 2 PLACES ±.13 ±.010 1 PLACE ±.25 ± ---		DRAWN BY DATE H.HIRAMOTO '89/04/03		TITLE MINI FIT JR VERTICAL HEADER ASSEMBLIES WITHOUT PEGS		MOLEX INCORPORATED		
		ANGULAR ± 3 °		CHECKED BY DATE M.FUKUSHIMA '94/04/20		APPROVED BY DATE FSMITH 2012/05/04		MATERIAL NO. SEE TABLE		DOCUMENT NO. SD-5566-002
		DRAFT WHERE APPLICABLE MUST REMAIN WITHIN DIMENSIONS		SIZE 		THIS DRAWING CONTAINS INFORMATION THAT IS PROPRIETARY TO MOLEX INCORPORATED AND SHOULD NOT BE USED WITHOUT WRITTEN PERMISSION		SHEET NO. 3 OF 5		

COLORED PART NUMBERS

										24
										22
										20
										18
										16
										14
										12
								46999-0087	5566-10AS-V	10
										8
										6
										4
										2
										24
										22
										20
										18
										16
										14
										12
										10
										8
										6
										4
										2
										24
										22
										20
										18
										16
										14
										12
										10
										8
										6
										4
										2
										24
										22
										20
										18
										16
										14
										12
										10
										8
										6
										4
										2
										24
										22
										20
										18
										16
										14
										12
										10
										8
										6
										4
										2
										24
										22
										20
										18
										16
										14
										12
										10
										8
										6
										4
										2
										24
										22
										20
										18
										16
										14
										12
										10
										8
										6
										4
										2
										24
										22
										20
										18
										16
										14
										12
										10
										8
										6
										4
										2
										24
										22
										20
										18
										16
										14
										12
										10
										8
										6
										4
										2
										24
										22
										20
										18
										16
										14
										12
										10
										8
										6
										4
										2

PARTS WITHOUT DRAIN HOLES

SEE SHEET 1 EC NO: UCP2014-212 DRAWING NO: 2013/11/13 DRW: NGUYEN CHKD: J.BELL APPR: F.SMITH 2013/11/17	QUALITY SYMBOLS 	GENERAL TOLERANCES (UNLESS SPECIFIED)		DIMENSION STYLE IN/MM		SCALE 1:1	DESIGN UNITS METRIC	THIRD ANGLE PROJECTION
		4 PLACES ± .10	± .05	DRAWN BY H. HIRAMOTO	DATE '89/04/03	TITLE MINI FIT JR VERTICAL HEADER ASSEMBLIES WITHOUT PEGS		
		3 PLACES ± .05	± .010	CHECKED BY M. FUKUSHIMA	DATE '94/04/20	MOLEX INCORPORATED		
		2 PLACES ± .13	± .010	APPROVED BY F.SMITH	DATE 2012/05/04			
1 PLACE ± .25	± .010	ANGULAR ± 3°		MATERIAL NO. SEE TABLE	DOCUMENT NO. SD-5566-002	SHEET NO. 4 OF 5		
DRAFT WHERE APPLICABLE MUST REMAIN WITHIN DIMENSIONS		THIS DRAWING CONTAINS INFORMATION THAT IS PROPRIETARY TO MOLEX INCORPORATED AND SHOULD NOT BE USED WITHOUT WRITTEN PERMISSION						

TRAY PACKED PART NUMBERS

PARTS WITHOUT DRAIN HOLES					39-53-9249	5566-24A-210-TA	39-53-9248	5566-24A-TA	24	
						↑ -22A-210-TA	↑ -9228	↑ -22A-TA	22	
								↑ -20A-TA	20	
			39-34-1180	5566-18A-210-TR				↑ -18A-TA	18	
								↑ -16A-TA	16	
								↑ -14A-TA	14	
								↑ -12A-TA	12	
								↑ -10A-TA	10	
								↑ -08A-TA	8	
	46999-0630	5566-06AGS2-BL-TA						↑ -06A-TA	6	
46999-0629	5566-04AGS2-BL-TA						↓ -04A-TA	4		
						5566-02A-210-TA	39-53-9028	5566-02A-TA	2	
EDP NO.	ENG. NO.	EDP NO.	ENG. NO.	EDP NO.	ENG. NO.	EDP NO.	ENG. NO.	EDP NO.	ENG. NO.	CKT. SIZE
5566-NAGS2-BL-TA		5566-NA-210-TR		5566-NA-210-TA		5566-NA-TA				

SEE SHEET 1 EC NO: UCP2014-212 DRAWN: NGUYEN 2013/11/13 CHKD: BELL 2013/11/13 APPR: FSMITH 2013/11/27	QUALITY SYMBOLS ▽=0 ▽=0 ▽=0	GENERAL TOLERANCES (UNLESS SPECIFIED)		DIMENSION STYLE		SCALE	DESIGN UNITS	THIRD ANGLE PROJECTION		
				IN/MM		1:1	METRIC			
		4 PLACES ± .005	± .005	DRAWN BY	DATE	TITLE MINI FIT JR VERTICAL HEADER ASSEMBLIES WITHOUT PEGS				
		3 PLACES ± .010	± .010	CHECKED BY	DATE					
		2 PLACES ± .13	± .010	M. FUKUSHIMA	'94/04/20					
1 PLACE ± .25	± .010	APPROVED BY	DATE	MATERIAL NO. DOCUMENT NO. SHEET NO. SD-5566-002 5 OF 5						
ANGULAR ± 3°		FSMITH	2012/05/04							
DRAFT WHERE APPLICABLE MUST REMAIN WITHIN DIMENSIONS		SEE TABLE		THIS DRAWING CONTAINS INFORMATION THAT IS PROPRIETARY TO MOLEX INCORPORATED AND SHOULD NOT BE USED WITHOUT WRITTEN PERMISSION						