

NOTES:

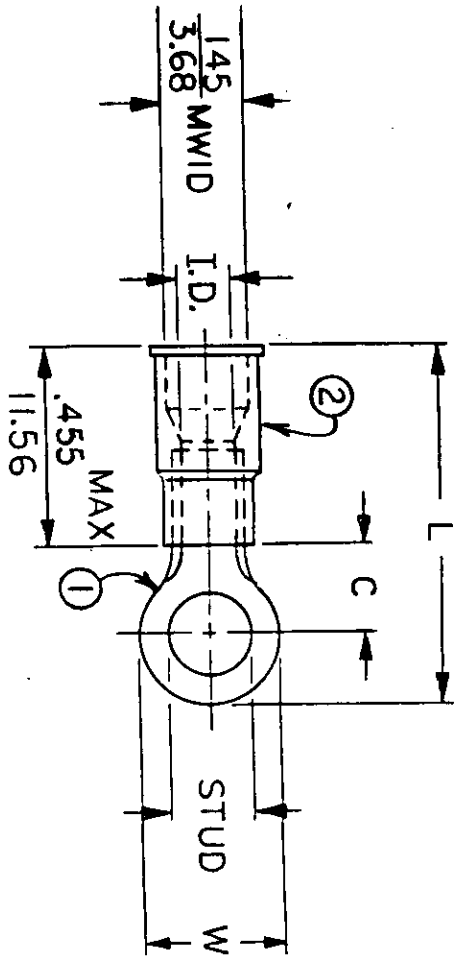
- ① MAT'L: COPPER
- PLATING: ELECTRO-TIN (.0003 MIN.)
- ② INSULATION: MOLDED PVC (RED)

STUD SIZES: (+.005)

- 02 = .094
- 04 = .119
- 06 = .146
- 08 = .173
- 10 = .198
- 14 = .265
- 56 = .328
- 38 = .390

"UL" LISTING #E32244
 "CSA" LISTING #18689

ALL DIMENSIONS = INCHES
 M M



MWID = MAXIMUM WIRE INSULATION DIAMETER
 WIRE SIZE: 22-18 AWG
 .25-1.5 MM²

| PART NUMBER | "W" ±.010 | "C" MIN. | "L" MAX. | "ID" MIN. | AVAILABLE STUD SIZES | STOCK THICKNESS | DIMENSIONAL TOLERANCES UNLESS OTHERWISE SPECIFIED | |
|-------------|---------------|---------------|----------------|--------------|----------------------|--------------------------------|---|------|
| | | | | | | | FRAC. | DEC. |
| A-220- | .225 5.71 | .157 3.99 | .759 19.28 | .062 1.57 | 02X, 04X, 06X | .028 ^{+.001} -.000 | ± | ± |
| A-221- | .312 7.92 | .270 6.86 | .946 23.26 | .062 1.57 | 06X, 08X, 10X | .028 ^{+.001} -.000 | ± | ± |
| A-222- | .467 11.86 | .386 9.80 | 1.110 28.19 | .062 1.57 | 10X, 14X, 56X | .031 ^{+.001} -.001 | ± | ± |
| A-226- | .534 13.56 | .552 14.02 | 1.309 33.25 | .054 1.37 | 10X, 14X, 56X, 38X | .028 ^{+.001} -.000 | ± | ± |
| A-232- | .254 6.45 | .240 6.10 | .857 21.77 | .062 1.57 | 04X, 06X, 08X | .028 ^{+.001} -.000 | ± | ± |

TITLE:
 RING TONGUE TERMINAL INSULKRIMP 200-SERIES

DATE: 10-23-84
 SCALE: NTS
 REFERENCE: DRAWN BY: K-
 CHECKD. BY: GZ
 APPR. BY:
 DWG. NO. A CUSTOMER DWG.