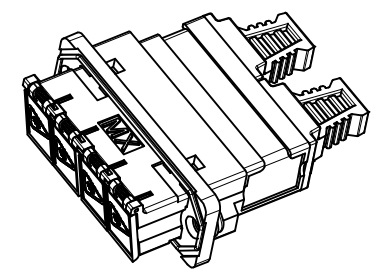
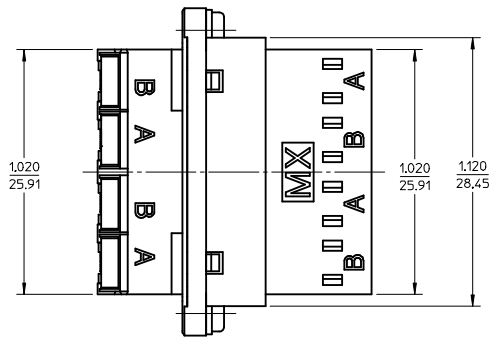
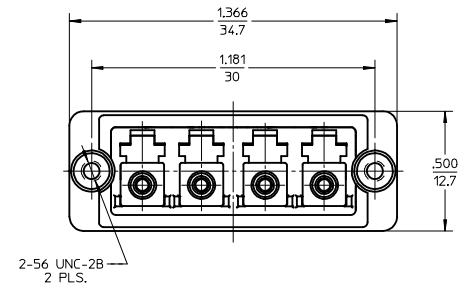
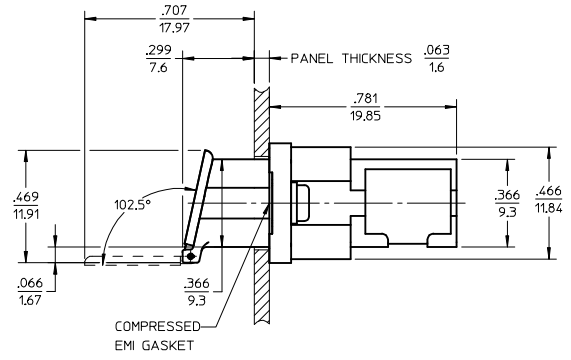
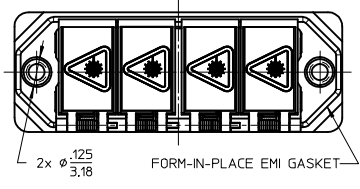


ADAPTER P/N	RECEPTACLE COLOR	LC DOOR COLOR
106123-0600	BLUE	BLUE
106123-0650	GREEN	GREEN

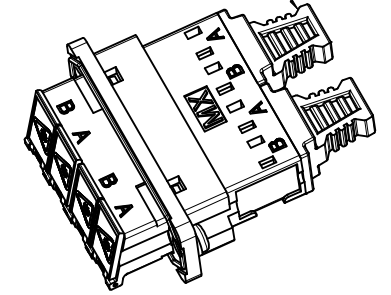


ISO VIEW 2  
SCALE 2:1

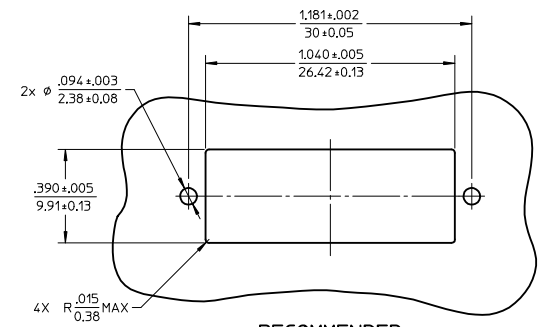


2-56 UNC-2B  
2 PLS.

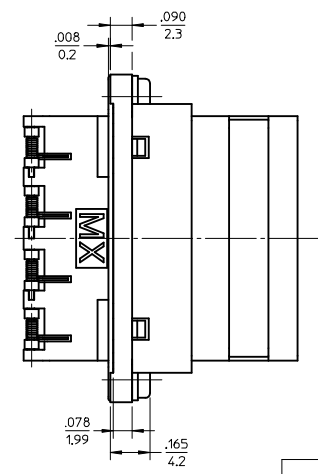
DUST CAP  
2 PIECES



ISO VIEW 1  
SCALE 2:1



RECOMMENDED  
MOUNTING PATTERN



- NOTES:
- ALL DIMENSIONS ARE FOR REFERENCE.
  - TWO DUST CAPS SHOWN IN ISOMETRIC VIEWS ONLY.
  - LC EMI QUAD ADAPTER HAS SC DUPLEX ADAPTER FOOTPRINT.

ENTER DESCRIPTION EC NO: MF2013-0264 DRW:KPEVZNER 2012/11/09 CHKD: APPR: IGUMIN 2012/11/09 REV: C2	QUALITY SYMBOLS ▽=0 ▽=0 ▽=0	GENERAL TOLERANCES (UNLESS SPECIFIED)		DIMENSION STYLE IN/MM		SCALE 2.5:1	DESIGN UNITS INCH	THIRD ANGLE PROJECTION	
		4 PLACES ± --- ± ---	3 PLACES ± --- ± ---	2 PLACES ± --- ± ---	1 PLACE ± --- ± ---	0 PLACE ± ±	DRAWN BY YB	DATE 3.03.06	TITLE LC EMI QUAD ADAPTER SCREW MOUNT
ANGULAR ± --- °		DRAFT WHERE APPLICABLE MUST REMAIN WITHIN DIMENSIONS		MATERIAL NO. IGUMIN		DATE 2010/02/23		DOCUMENT NO. SD-106123-0600	
SIZE C		THIS DRAWING CONTAINS INFORMATION THAT IS PROPRIETARY TO MOLEX INCORPORATED AND SHOULD NOT BE USED WITHOUT WRITTEN PERMISSION		SEE TABLE		SD-106123-0600		SHEET NO. 1 OF 1	