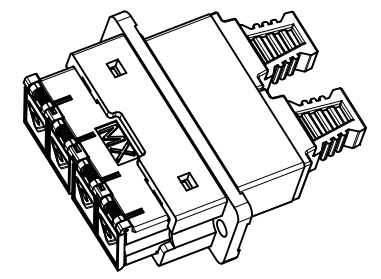
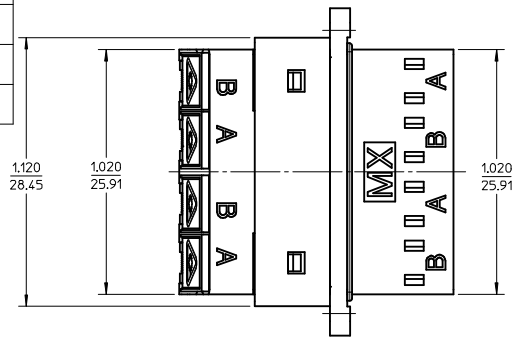
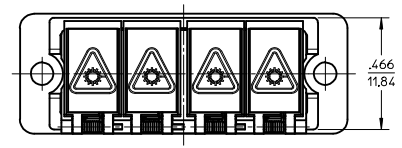


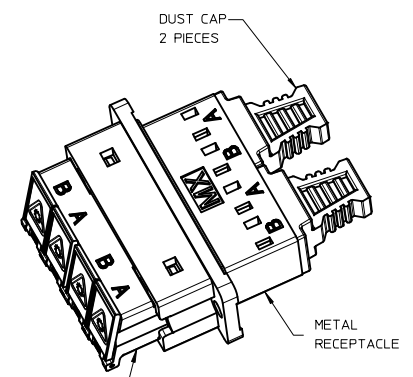
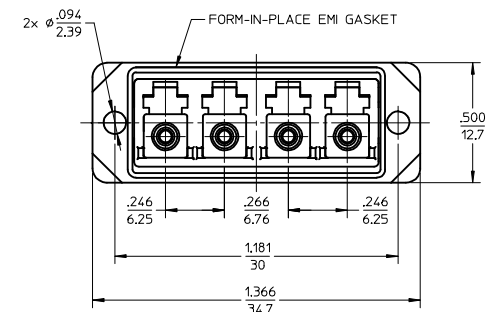
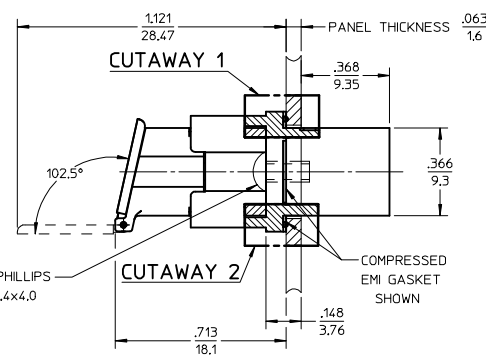
ADAPTER P/N	RECEPTACLE COLOR	LC DOOR COLOR
106123-0700	BLUE	BLUE
106123-0750	GREEN	GREEN
106123-0751	BEIGE	BEIGE



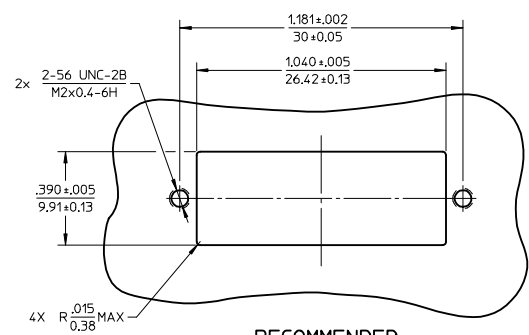
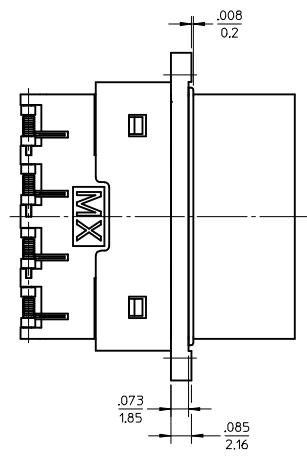
ISO VIEW 2  
SCALE 2:1



RECOMMENDED PAN HEAD PHILLIPS  
SCREW 2-56 x 3/16 / M2x0.4x4.0  
2 PIECES  
NOT PROVIDED



ISO VIEW 1  
SCALE 2:1



RECOMMENDED  
MOUNTING PATTERN

- NOTES:
- ALL DIMENSIONS ARE FOR REFERENCE.
  - TWO DUST CAPS SHOWN IN ISOMETRIC VIEWS ONLY.
  - LC EMI QUAD ADAPTER HAS SC DUPLEX ADAPTER FOOTPRINT.

ENTER DESCRIPTION EC NO: MF2013-0264 DRW:KPEVZNER 2012/11/09 CHKD: APPR: LGUMIN 2012/11/09	QUALITY SYMBOLS ▽=0 ▽=0 ▽=0	GENERAL TOLERANCES (UNLESS SPECIFIED)		DIMENSION STYLE IN/MM		SCALE 2.5:1	DESIGN UNITS INCH	THIRD ANGLE PROJECTION	
		mm	INCH	DRAWN BY YB	DATE 9.02.05	TITLE LC EMI QUAD ADAPTER FRONT SCREW MOUNT SC DUPLEX FOOTPRINT			
4 PLACES ±	±	CHECKED BY SM	DATE 9.02.05	APPROVED BY IM		DOCUMENT NO. SD-106123-0700			
3 PLACES ±	±	DATE 9.02.05							
2 PLACES ±	±	DATE 9.02.05		MATERIAL NO. SEE TABLE		THIS DRAWING CONTAINS INFORMATION THAT IS PROPRIETARY TO MOLEX INCORPORATED AND SHOULD NOT BE USED WITHOUT WRITTEN PERMISSION			
1 PLACE ±	±								
0 PLACE ±	±								
ANGULAR ±		DRAFT WHERE APPLICABLE MUST REMAIN WITHIN DIMENSIONS		SIZE C					