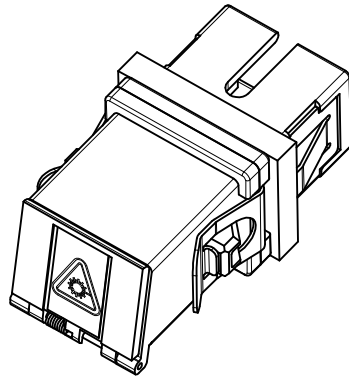
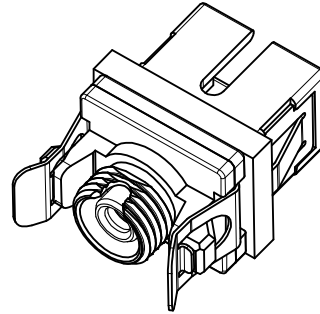


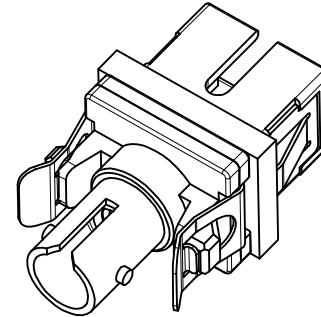
SHOWN WITH DUST CAP
INSTALLED (NO MODULE)



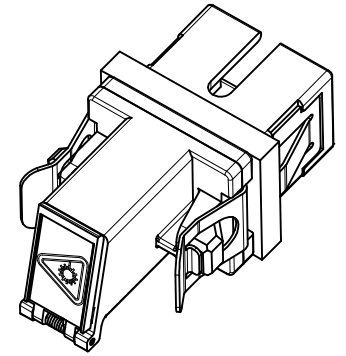
SC-SC VERSIONS
SEE SHEET 3



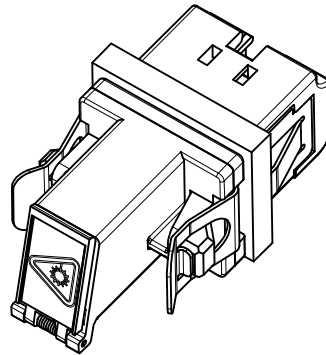
SC-FC VERSIONS
SEE SHEET 4



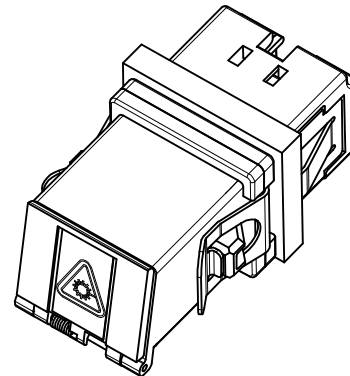
SC-ST VERSIONS
SEE SHEET 5



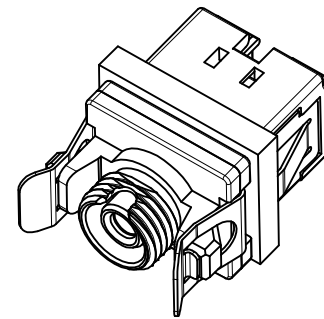
SC-LC VERSION
SEE SHEET 6



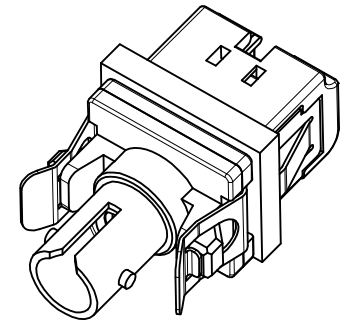
LC-LC VERSIONS
SEE SHEET 7



LC-SC VERSION
SEE SHEET 8



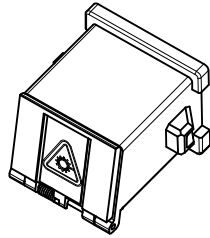
LC-FC VERSION
SEE SHEET 9



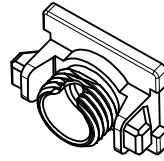
LC-ST VERSION
SEE SHEET 10

ENTER DESCRIPTION EC NO: MF2010-0212 DRAWN: SERNST CHKD: DSZILAGYI APPR: SMIGO 2009/11/09 2009/11/11 2009/11/11	QUALITY SYMBOLS =0 =0	GENERAL TOLERANCES (UNLESS SPECIFIED)		DIMENSION STYLE MM/IN		SCALE 2.5:1	DESIGN UNITS METRIC	THIRD ANGLE PROJECTION		
		4 PLACES	± ---	± ---	DRAWN BY	DATE	TITLE UNIVERSAL EMI ADAPTER			
		3 PLACES	± ---	± ---	SERNST	2006/02/13				
		2 PLACES	± ---	± ---	CHECKED BY	DATE	MATERIAL NO. SEE TABLES			
1 PLACE	± ---	± ---	DSZILAGYI	2006/03/07						
ANGULAR ± 1 °		DRAFT WHERE APPLICABLE MUST REMAIN WITHIN DIMENSIONS		APPROVED BY SMIGO	DATE 2006/03/07	MOLEX INCORPORATED		DOCUMENT NO. SD-106154-001		
REV A4	DESCRIPTION	THIS DRAWING CONTAINS INFORMATION THAT IS PROPRIETARY TO MOLEX INCORPORATED AND SHOULD NOT BE USED WITHOUT WRITTEN PERMISSION		SIZE B	SHEET NO. 1 OF 10					

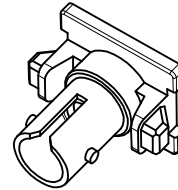
MODULE P/N	TYPE	COLOR
1061540020	SC	BLUE
1061540022		BEIGE
1061540025		GREEN
1061540031	FC	BLUE
1061540033		BEIGE
1061540036		GREEN
1061540041	ST	BLUE
1061540043		BEIGE
1061540130	LC	BLUE
1061540131		BEIGE
1061540132		GREEN



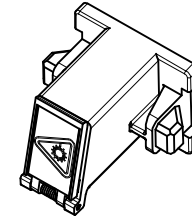
SC



FC

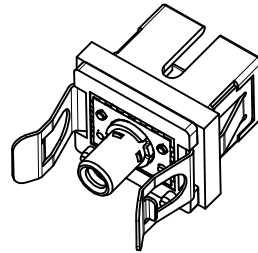


ST

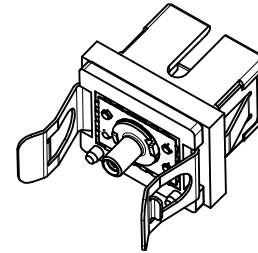


LC

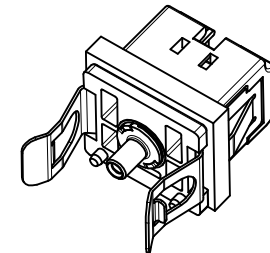
BASE P/N	TYPE	SLEEVE MAT'L	TYPE
1061540010	SINGLE MODE	ZIRCONIA	SC BASE TO 2.5mm
1061540012	MULTIMODE	PHOS BRONZE	SC BASE TO 1.25mm
1061540013	SM/MM	NICKEL	SC BASE TO 1.25mm
1061540210	SINGLE MODE	ZIRCONIA	LC BASE TO 1.25mm
1061540212	MULTIMODE	PHOS BRONZE	LC BASE TO 1.25mm
1061540213	SM/MM	NICKEL	LC BASE TO 2.5mm



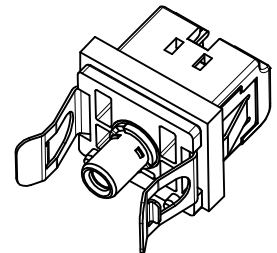
SC TO 2.5mm



SC TO 1.25mm



LC TO 1.25mm



LC TO 2.5mm

SLEEVE ASBY	TYPE	SLEEVE MAT'L	TYPE
1061540050	SINGLE MODE	ZIRCONIA	2.5mm
1061540051	MULTIMODE	PHOS BRONZE	
1061540052	SINGLE MODE	ZIRCONIA	1.25mm
1061540053	MULTIMODE	PHOS BRONZE	
1061540054	SM/MM	NICKEL	HYBRID 1.25 TO 2.5mm



2.5mm

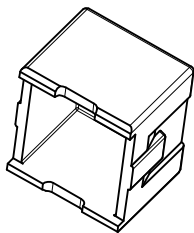


1.25mm



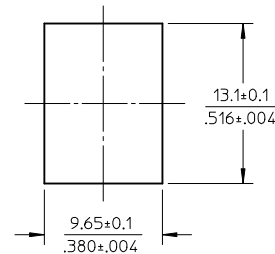
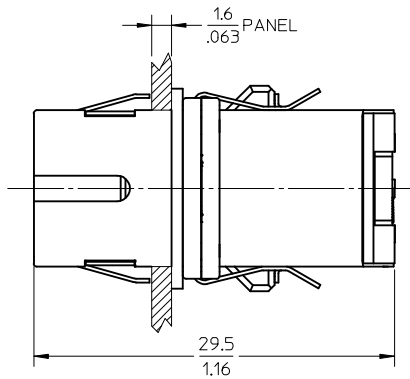
HYBRID

DUST CAP
P/N 1061540006

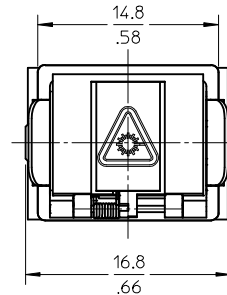
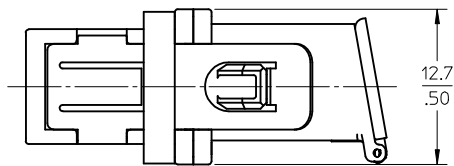


ENTER DESCRIPTION EC NO: MF2010-0212 DRWN:SERNST 2009/11/09 CHKD: 2009/11/11 APPR:SM1GO 2009/11/11 REV A4	QUALITY SYMBOLS ▽=0 ▽=0	GENERAL TOLERANCES (UNLESS SPECIFIED)		DIMENSION STYLE MM/IN	SCALE 2:1	DESIGN UNITS METRIC	THIRD ANGLE PROJECTION	
		4 PLACES ± --- ± --- 3 PLACES ± --- ± --- 2 PLACES ± --- ± --- 1 PLACE ± --- ± ---	mm INCH	DRAWN BY DATE SERNST 2006/02/13	TITLE UNIVERSAL EMI ADAPTER			
		ANGULAR ± 1 °		CHECKED BY DATE DSZILAGYI 2006/03/07	MOLEX INCORPORATED			
		DRAFT WHERE APPLICABLE MUST REMAIN WITHIN DIMENSIONS		APPROVED BY DATE SM1GO 2006/03/07	MATERIAL NO. SEE TABLES	DOCUMENT NO. SD-106154-001	SHEET NO. 2 OF 10	

ADAPTER P/N	STYLE	TYPE	SLEEVE MAT'L	MODULE COLOR
1061541000	SC-SC	SINGLE MODE	ZIRCONIA	BLUE
1061541005	SC-SC/APC			GREEN
1061541001	SC-SC	MULTIMODE	PHOSPHOR BRONZE	BEIGE



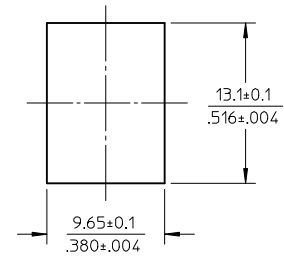
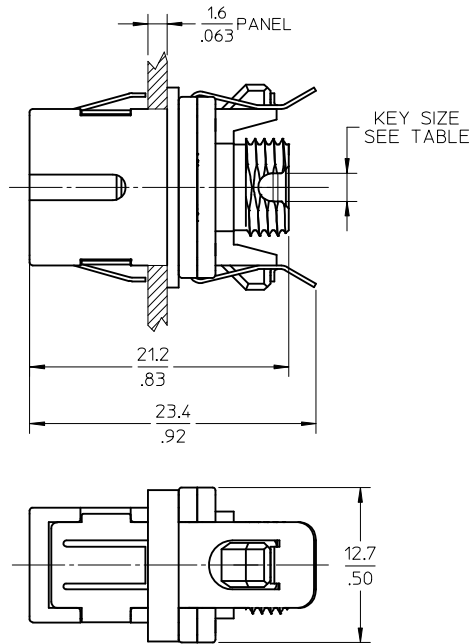
RECOMMENDED MOUNTING CUTOUT
(1.6mm THICK PANEL)



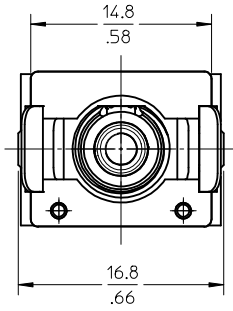
- NOTES:
- ALL DIMENSIONS ARE FOR REFERENCE ONLY.
 - PACKAGING: ADAPTERS AND DUSTCAPS ARE PACKED IN A PLASTIC TRAY.

ENTER DESCRIPTION EC NO: MF2010-0212 DRAWN: SERNST 2009/11/09 CHKD: SM IGO 2009/11/11 APPR: SM IGO 2009/11/11	QUALITY SYMBOLS ▽=0 ▽=0	GENERAL TOLERANCES (UNLESS SPECIFIED) mm INCH 4 PLACES ± --- ± --- 3 PLACES ± --- ± --- 2 PLACES ± --- ± --- 1 PLACE ± --- ± --- ANGULAR ± 1°	DIMENSION STYLE MM/IN DRAWN BY DATE SERNST 2006/02/13 CHECKED BY DATE DSZILAGYI 2006/03/07 APPROVED BY DATE SM IGO 2006/03/07	SCALE 2.5:1 DESIGN UNITS METRIC THIRD ANGLE PROJECTION	TITLE UNIVERSAL EMI ADAPTER
	MATERIAL NO. SEE TABLE	DOCUMENT NO. SD-106154-001	SHEET NO. 3 OF 10		
	DRAFT WHERE APPLICABLE MUST REMAIN WITHIN DIMENSIONS				
	THIS DRAWING CONTAINS INFORMATION THAT IS PROPRIETARY TO MOLEX INCORPORATED AND SHOULD NOT BE USED WITHOUT WRITTEN PERMISSION				

ADAPTER P/N	STYLE	TYPE	SLEEVE MAT'L	MODULE COLOR	KEY SIZE (mm)
1061541010	SC-FC	SINGLE MODE	ZIRCONIA	BLUE	2.3
1061541015	SC-FC/APC			GREEN	2
1061541011	SC-FC	MULTIMODE	PHOSPHOR BRONZE	BEIGE	2.3



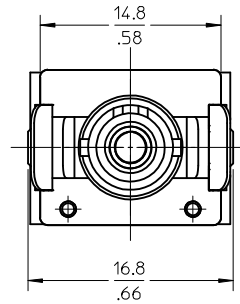
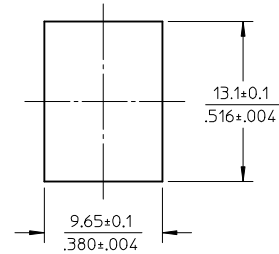
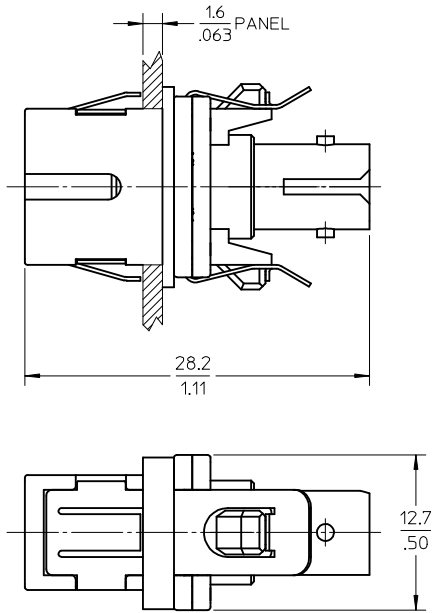
RECOMMENDED MOUNTING CUTOUT
(1.6mm THICK PANEL)



- NOTES:
 1. ALL DIMENSIONS ARE FOR REFERENCE ONLY.
 2. PACKAGING: ADAPTERS AND DUSTCAPS ARE PACKED IN A PLASTIC TRAY.

ENTER DESCRIPTION EC NO: MF2010-0212 DRAWN: SERNST 2009/11/09 CHKD: 2009/11/11 APPR: SMIGO 2009/11/11 REV A4	QUALITY SYMBOLS ▽=0 ▽=0	GENERAL TOLERANCES (UNLESS SPECIFIED) mm INCH 4 PLACES ± --- ± --- 3 PLACES ± --- ± --- 2 PLACES ± --- ± --- 1 PLACE ± --- ± --- ANGULAR ± 1°	DIMENSION STYLE MM/IN DRAWN BY DATE SERNST 2006/02/13 CHECKED BY DATE DSZILAGYI 2006/03/07 APPROVED BY DATE SMIGO 2006/03/07	SCALE 2.5:1 DESIGN UNITS METRIC THIRD ANGLE PROJECTION	TITLE UNIVERSAL EMI ADAPTER
	DRAFT WHERE APPLICABLE MUST REMAIN WITHIN DIMENSIONS		MATERIAL NO. SEE TABLE	DOCUMENT NO. SD-106154-001	SHEET NO. 4 OF 10
	THIS DRAWING CONTAINS INFORMATION THAT IS PROPRIETARY TO MOLEX INCORPORATED AND SHOULD NOT BE USED WITHOUT WRITTEN PERMISSION				
	MOLEX INCORPORATED				

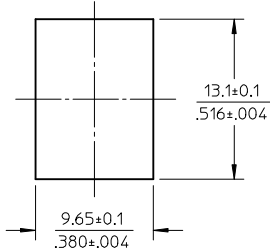
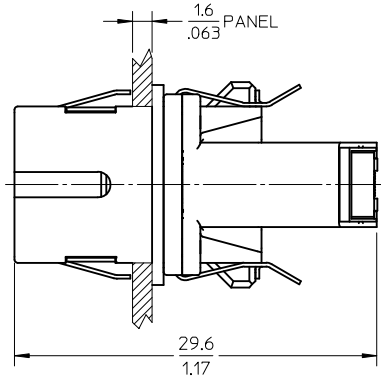
ADAPTER P/N	STYLE	TYPE	SLEEVE MAT'L	MODULE COLOR
1061541020	SC-ST	SINGLE MODE	ZIRCONIA	BLUE
1061541021		MULTIMODE	PHOS BRONZE	BEIGE



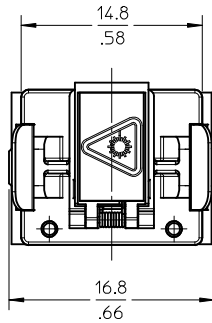
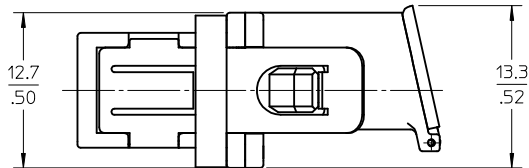
- NOTES:
- ALL DIMENSIONS ARE FOR REFERENCE ONLY.
 - PACKAGING: ADAPTERS AND DUSTCAPS ARE PACKED IN A PLASTIC TRAY.

ENTER DESCRIPTION EC NO: MF2010-0212 DRAWN: SERNST 2009/11/09 CHKD: SM IGO 2009/11/11 APPR: SM IGO 2009/11/11	QUALITY SYMBOLS ▽=0 ▽=0	GENERAL TOLERANCES (UNLESS SPECIFIED)		DIMENSION STYLE MM/IN		SCALE 2.5:1	DESIGN UNITS METRIC	THIRD ANGLE PROJECTION			
			mm	INCH	DRAWN BY	DATE	TITLE				
			4 PLACES	± ---	± ---	SERNST	2006/02/13	UNIVERSAL EMI ADAPTER			
			3 PLACES	± ---	± ---	CHECKED BY	DATE	Molex MOLEX INCORPORATED DOCUMENT NO. SD-106154-001 SHEET NO. 5 OF 10			
		2 PLACES	± ---	± ---	DSZILAGYI	2006/03/07					
		1 PLACE	± ---	± ---	APPROVED BY	DATE					
			ANGULAR ± 1°		SM IGO	2006/03/07					
		DRAFT WHERE APPLICABLE MUST REMAIN WITHIN DIMENSIONS		MATERIAL NO.		SEE TABLE					
				SIZE	THIS DRAWING CONTAINS INFORMATION THAT IS PROPRIETARY TO MOLEX INCORPORATED AND SHOULD NOT BE USED WITHOUT WRITTEN PERMISSION						
A4	REV			B							

ADAPTER P/N	STYLE	TYPE	SLEEVE MAT'L	MODULE COLOR
1061541030	SC-LC	SM OR MM	NICKEL	BEIGE



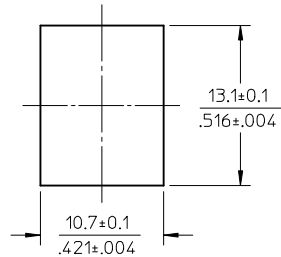
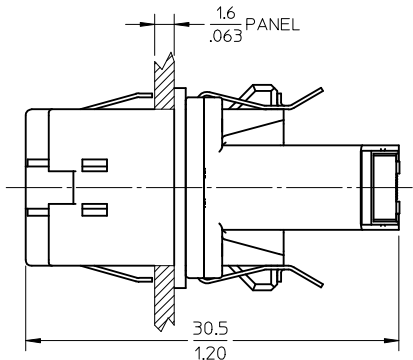
RECOMMENDED MOUNTING CUTOUT
(1.6mm THICK PANEL)



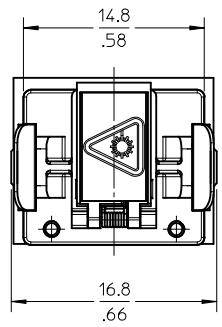
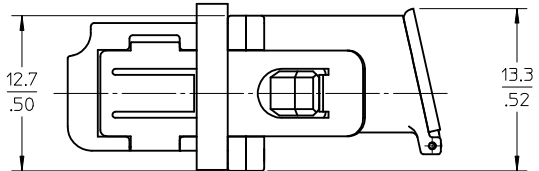
NOTES:
 1. ALL DIMENSIONS ARE FOR REFERENCE ONLY.
 2. PACKAGING: ADAPTERS AND DUSTCAPS ARE PACKED IN A PLASTIC TRAY.

ENTER DESCRIPTION EC NO: MF2010-0212 DRAWN: SERNST CHKD: DSZILAGYI APPR: SMIGO	QUALITY SYMBOLS ▽=0 ▽=0	GENERAL TOLERANCES (UNLESS SPECIFIED)		DIMENSION STYLE		SCALE	DESIGN UNITS	THIRD ANGLE PROJECTION		
				MM/IN		2.5:1	METRIC			
		4 PLACES	± ---	± ---	DRAWN BY	DATE	TITLE UNIVERSAL EMI ADAPTER			
		3 PLACES	± ---	± ---	SERNST	2006/02/13				
		2 PLACES	± ---	± ---	CHECKED BY	DATE	MATERIAL NO. SEE TABLE			
1 PLACE	± ---	± ---	DSZILAGYI	2006/03/07						
ANGULAR ± 1 °		APPROVED BY		DATE	DOCUMENT NO.		SHEET NO.			
DRAFT WHERE APPLICABLE MUST REMAIN WITHIN DIMENSIONS		SMIGO		2006/03/07	SD-106154-001		6 OF 10			

ADAPTER P/N	STYLE	TYPE	SLEEVE MAT'L	MODULE COLOR
1061541530	LC-LC	SINGLE MODE	ZIRCONIA	BLUE
1061541535	LC-LC/APC			GREEN
1061541531	LC-LC	MULTIMODE	PHOSPHOR BRONZE	BEIGE



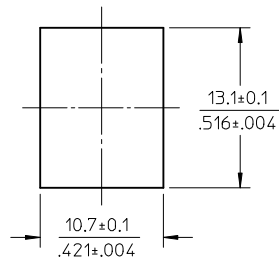
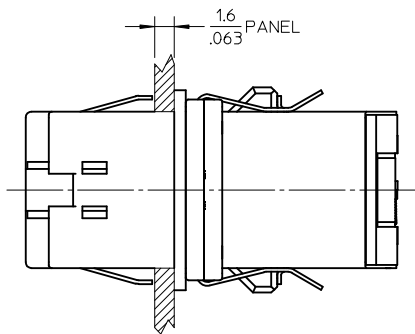
RECOMMENDED MOUNTING CUTOUT
(1.6mm THICK PANEL)



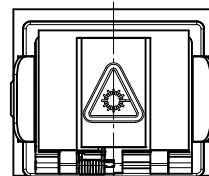
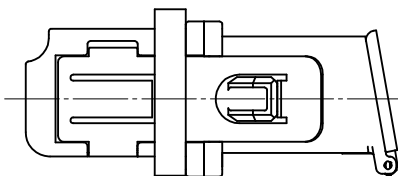
NOTES:
1. ALL DIMENSIONS ARE FOR REFERENCE ONLY.
2. PACKAGING: ADAPTERS AND DUSTCAPS ARE PACKED IN A PLASTIC TRAY.

ENTER DESCRIPTION EC NO: MF2010-0212 DRWN:SERNST 2009/11/09 CHKD: 2009/11/11 APPR:SMIGO 2009/11/11 A4	QUALITY SYMBOLS ▽=0 ▽=0	GENERAL TOLERANCES (UNLESS SPECIFIED) mm INCH 4 PLACES ± --- ± --- 3 PLACES ± --- ± --- 2 PLACES ± --- ± --- 1 PLACE ± --- ± --- ANGULAR ± 1°	DIMENSION STYLE MM/IN DRAWN BY DATE SERNST 2006/02/13 CHECKED BY DATE DSZILAGYI 2006/03/07 APPROVED BY DATE SMIGO 2006/03/07	SCALE 2.5:1 DESIGN UNITS METRIC THIRD ANGLE PROJECTION	TITLE UNIVERSAL EMI ADAPTER
	DRAFT WHERE APPLICABLE MUST REMAIN WITHIN DIMENSIONS		MATERIAL NO. SEE TABLE	DOCUMENT NO. SD-106154-001	SHEET NO. 7 OF 10
	THIS DRAWING CONTAINS INFORMATION THAT IS PROPRIETARY TO MOLEX INCORPORATED AND SHOULD NOT BE USED WITHOUT WRITTEN PERMISSION				
	MOLEX INCORPORATED				
	MILEX				

ADAPTER P/N	STYLE	TYPE	SLEEVE MAT'L	MODULE COLOR
1061541500	LC-SC	SM OR MM	NICKEL	BEIGE



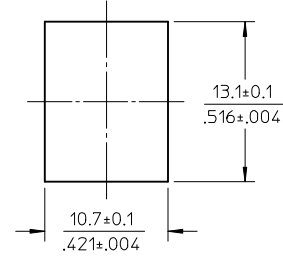
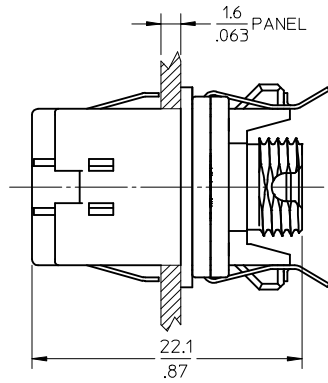
RECOMMENDED MOUNTING CUTOUT
(1.6mm THICK PANEL)



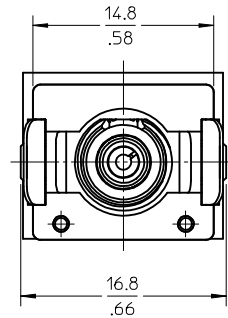
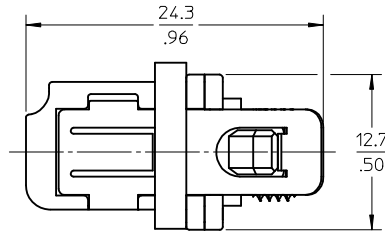
- NOTES:
1. ALL DIMENSIONS ARE FOR REFERENCE ONLY.
 2. PACKAGING: ADAPTERS AND DUSTCAPS ARE PACKED IN A PLASTIC TRAY.

ENTER DESCRIPTION EC NO: MF2010-0212 DRWN:SERNST 2009/11/09 CHKD: 2009/11/11 APPR:SMIGO 2009/11/11	QUALITY SYMBOLS ▽=0 ▽=0	GENERAL TOLERANCES (UNLESS SPECIFIED)		DIMENSION STYLE MM/IN		SCALE 2.5:1	DESIGN UNITS METRIC	THIRD ANGLE PROJECTION	
		4 PLACES ± --- ± --- 3 PLACES ± --- ± --- 2 PLACES ± --- ± --- 1 PLACE ± --- ± ---	mm INCH	DRAWN BY DATE SERNST 2006/02/13	TITLE UNIVERSAL EMI ADAPTER				
		ANGULAR ± 1 °		CHECKED BY DATE DSZILAGYI 2006/03/07	MOLEX INCORPORATED				
	DRAFT WHERE APPLICABLE MUST REMAIN WITHIN DIMENSIONS		MATERIAL NO. SEE TABLE	APPROVED BY DATE SMIGO 2006/03/07	DOCUMENT NO. SD-106154-001	SHEET NO. 8 OF 10			
A4	REV	THIS DRAWING CONTAINS INFORMATION THAT IS PROPRIETARY TO MOLEX INCORPORATED AND SHOULD NOT BE USED WITHOUT WRITTEN PERMISSION							

ADAPTER P/N	STYLE	TYPE	SLEEVE MAT'L	MODULE COLOR
1061541510	LC-FC	SM OR MM	NICKEL	BEIGE



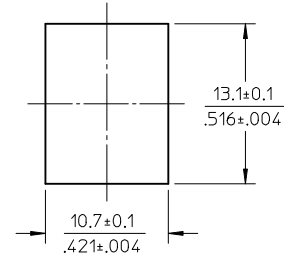
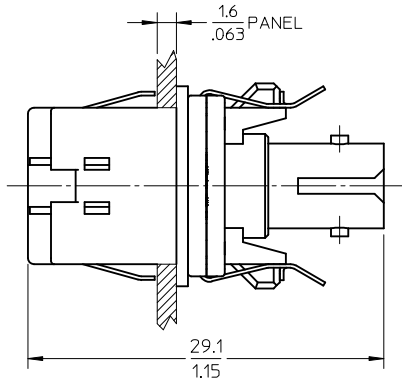
RECOMMENDED MOUNTING CUTOUT
(1.6mm THICK PANEL)



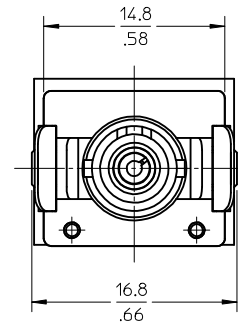
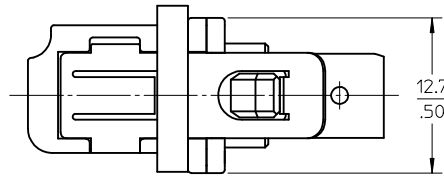
- NOTES:
1. ALL DIMENSIONS ARE FOR REFERENCE ONLY.
2. PACKAGING: ADAPTERS AND DUSTCAPS ARE PACKED IN A PLASTIC TRAY.

ENTER DESCRIPTION EC NO: MF2010-0212 DRAWN: SERNST 2009/11/09 CHKD: 2009/11/11 APPR: SMIGO 2009/11/11 A4	QUALITY SYMBOLS ▽=0 ▽=0	GENERAL TOLERANCES (UNLESS SPECIFIED)		DIMENSION STYLE MM/IN		SCALE 2.5:1	DESIGN UNITS METRIC	THIRD ANGLE PROJECTION	
		mm	INCH	DRAWN BY	DATE	TITLE UNIVERSAL EMI ADAPTER			
	4 PLACES	± ---	± ---	SERNST	2006/02/13				
	3 PLACES	± ---	± ---	CHECKED BY	DATE	MOLEX INCORPORATED			
2 PLACES	± ---	± ---	DSZILAGYI	2006/03/07					
1 PLACE	± ---	± ---	APPROVED BY	DATE	DOCUMENT NO. SD-106154-001				
ANGULAR ± 1 °		MATERIAL NO.		SMIGO					2006/03/07
DRAFT WHERE APPLICABLE MUST REMAIN WITHIN DIMENSIONS				SEE TABLE		THIS DRAWING CONTAINS INFORMATION THAT IS PROPRIETARY TO MOLEX INCORPORATED AND SHOULD NOT BE USED WITHOUT WRITTEN PERMISSION			

ADAPTER P/N	STYLE	TYPE	SLEEVE MAT'L	MODULE COLOR
1061541520	LC-ST	SM OR MM	NICKEL	BEIGE

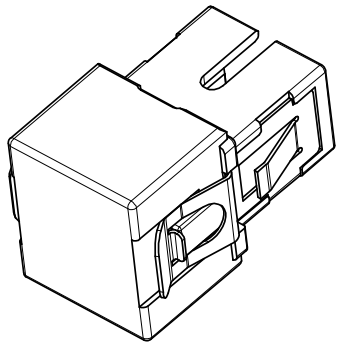


RECOMMENDED MOUNTING CUTOUT
(1.6mm THICK PANEL)

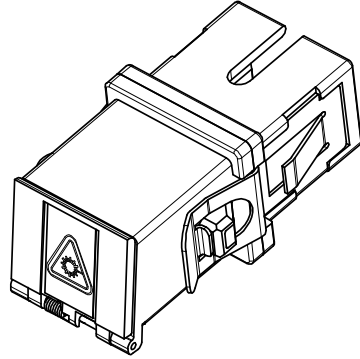


NOTES:
1. ALL DIMENSIONS ARE FOR REFERENCE ONLY.
2. PACKAGING: ADAPTERS AND DUSTCAPS ARE PACKED IN A PLASTIC TRAY.

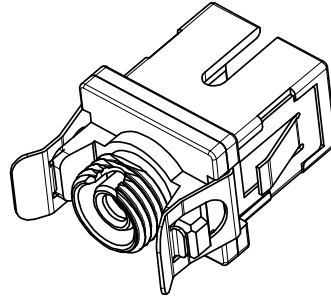
ENTER DESCRIPTION EC NO: MF2010-0212 DRWN:SERNST 2009/11/09 CHKD: 2009/11/11 APPR:SMIGO 2009/11/11	QUALITY SYMBOLS ▽=0 ▽=0	GENERAL TOLERANCES (UNLESS SPECIFIED)		DIMENSION STYLE MM/IN		SCALE 2.5:1	DESIGN UNITS METRIC	THIRD ANGLE PROJECTION		
			mm	INCH	DRAWN BY	DATE	TITLE UNIVERSAL EMI ADAPTER			
			4 PLACES ± ---	± ---	SERNST	2006/02/13				
			3 PLACES ± ---	± ---	CHECKED BY	DATE	Molex MOLEX INCORPORATED			
		2 PLACES ± ---	± ---	DSZILAGYI	2006/03/07					
		1 PLACE ± ---	± ---	APPROVED BY	DATE	MATERIAL NO. SEE TABLE DOCUMENT NO. SD-106154-001 SHEET NO. 10 OF 10				
		ANGULAR ± 1 °		SMIGO	2006/03/07					
DRAFT WHERE APPLICABLE MUST REMAIN WITHIN DIMENSIONS				SIZE B		THIS DRAWING CONTAINS INFORMATION THAT IS PROPRIETARY TO MOLEX INCORPORATED AND SHOULD NOT BE USED WITHOUT WRITTEN PERMISSION				



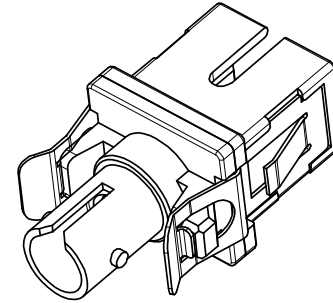
SHOWN WITH DUST CAP
INSTALLED (NO MODULE)



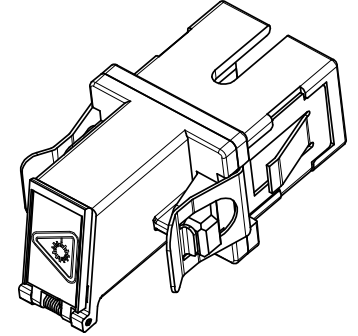
SC-SC VERSIONS
SEE SHEET 3



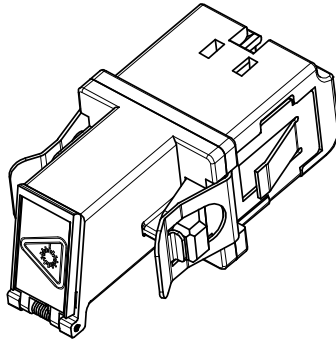
SC-FC VERSIONS
SEE SHEET 4



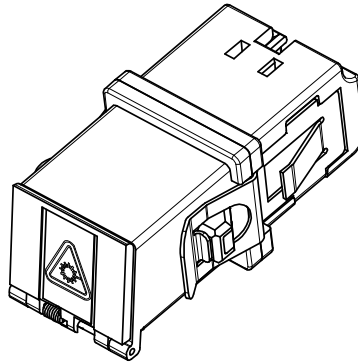
SC-ST VERSIONS
SEE SHEET 5



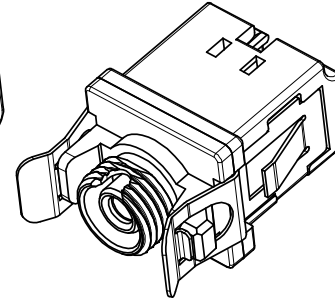
SC-LC VERSION
SEE SHEET 6



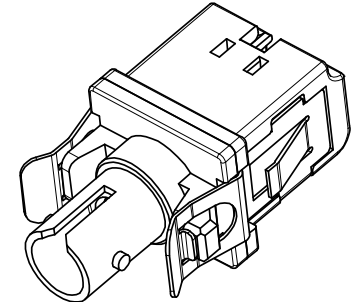
LC-LC VERSIONS
SEE SHEET 7



LC-SC VERSION
SEE SHEET 8



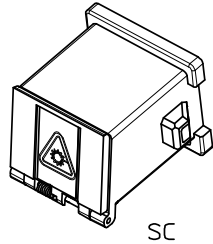
LC-FC VERSION
SEE SHEET 9



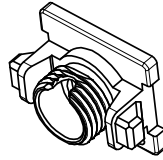
LC-ST VERSION
SEE SHEET 10

ENTER DESCRIPTION EC NO: MF2008-0308 DRW: DRWANKPEVZNER 2008/02/07 CHKD: 2008/02/07 APPR: LGUMIN 2008/02/14 REV: A3	QUALITY SYMBOLS ▽=0 ▽=0	GENERAL TOLERANCES (UNLESS SPECIFIED) mm INCH 4 PLACES ± --- ± --- 3 PLACES ± --- ± --- 2 PLACES ± --- ± --- 1 PLACE ± --- ± --- ANGULAR ± 1°	DIMENSION STYLE MM/IN DRAWN BY DATE SERNST 2006/02/13 CHECKED BY DATE DSZILAGYI 2006/03/07 APPROVED BY DATE SMIGO 2006/03/07	SCALE 2.5:1 DESIGN UNITS METRIC THIRD ANGLE PROJECTION	TITLE UNIVERSAL ADAPTER
	DRAFT WHERE APPLICABLE MUST REMAIN WITHIN DIMENSIONS		MATERIAL NO. SEE TABLES	DOCUMENT NO. SD-106154-002	SHEET NO. 1 OF 10
	MOLEX INCORPORATED				
	THIS DRAWING CONTAINS INFORMATION THAT IS PROPRIETARY TO MOLEX INCORPORATED AND SHOULD NOT BE USED WITHOUT WRITTEN PERMISSION				

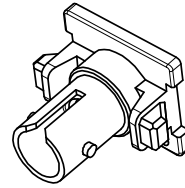
MODULE P/N	TYPE	COLOR
1061540020	SC	BLUE
1061540022		BEIGE
1061540025		GREEN
1061540031	FC	BLUE
1061540033		BEIGE
1061540036		GREEN
1061540041	ST	BLUE
1061540043		BEIGE
1061540130	LC	BLUE
1061540131		BEIGE
1061540132		GREEN



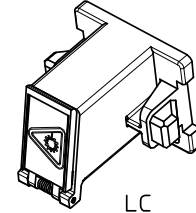
SC



FC

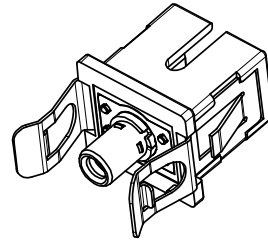


ST

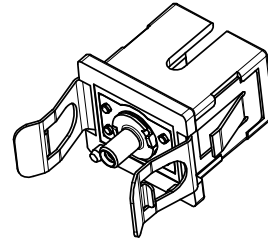


LC

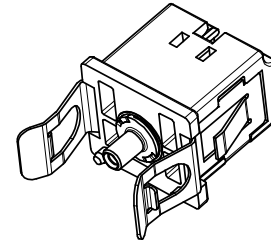
BASE P/N	TYPE	SLEEVE MAT'L	TYPE
1061540015	SINGLE MODE	ZIRCONIA	SC BASE TO 2.5mm
1061540016	MULTIMODE	PHOS BRONZE	
1061540017	SM/MM	NICKEL	SC BASE TO 1.25mm
1061540215	SINGLE MODE	ZIRCONIA	LC BASE TO 1.25mm
1061540216	MULTIMODE	PHOS BRONZE	
1061540217	SM/MM	NICKEL	LC BASE TO 2.5mm



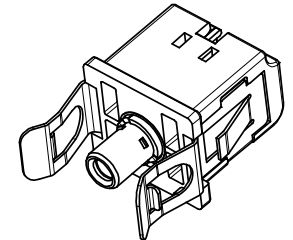
SC TO 2.5mm



SC TO 1.25mm



LC TO 1.25mm



LC TO 2.5mm

SLEEVE ASBY	TYPE	SLEEVE MAT'L	TYPE
1061540050	SINGLE MODE	ZIRCONIA	2.5mm
1061540051	MULTIMODE	PHOS BRONZE	
1061540052	SINGLE MODE	ZIRCONIA	1.25mm
1061540053	MULTIMODE	PHOS BRONZE	
1061540054	SM/MM	NICKEL	HYBRID 1.25 TO 2.5mm



2.5mm

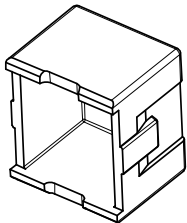


1.25mm



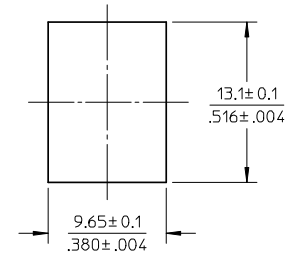
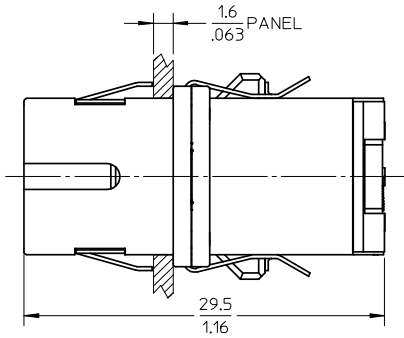
HYBRID

DUST CAP
P/N 1061540006

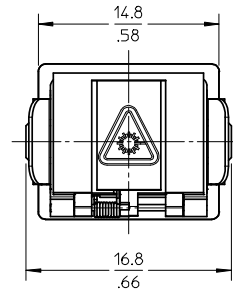
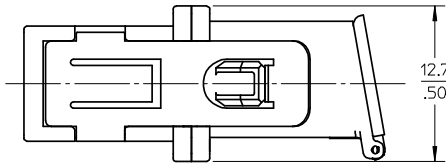


ENTER DESCRIPTION EC NO: MF2008-0308 DR: MANKPEVNER 2008/02/07 CHKD: 2008/02/07 APPR: IGUMIN 2008/02/14 A3	QUALITY SYMBOLS ▽=0 ▽7=0	GENERAL TOLERANCES (UNLESS SPECIFIED)		DIMENSION STYLE MM/IN		SCALE 2:1	DESIGN UNITS METRIC	THIRD ANGLE PROJECTION			
		4 PLACES ± --- ± --- 3 PLACES ± --- ± --- 2 PLACES ± --- ± --- 1 PLACE ± --- ± ---	mm INCH	DRAWN BY SERNST	DATE 2006/02/13	UNIVERSAL ADAPTER					
		ANGULAR ± 1 °		CHECKED BY DSZILAGYI	DATE 2006/03/07						
		DRAFT WHERE APPLICABLE MUST REMAIN WITHIN DIMENSIONS		MATERIAL NO. SM1GO		APPROVED BY DATE 2006/03/07		MOLEX INCORPORATED		DOCUMENT NO. SD-106154-002	
THIS DRAWING CONTAINS INFORMATION THAT IS PROPRIETARY TO MOLEX INCORPORATED AND SHOULD NOT BE USED WITHOUT WRITTEN PERMISSION											

ADAPTER P/N	STYLE	TYPE	SLEEVE MAT'L	MODULE COLOR
1061541100	SC-SC	SINGLE MODE	ZIRCONIA	BLUE
1061541105	SC-SC/APC			GREEN
1061541101	SC-SC	MULTIMODE	PHOSPHOR BRONZE	BEIGE



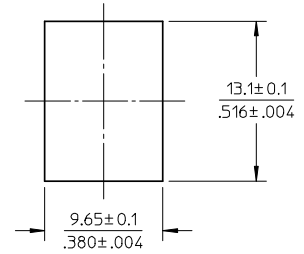
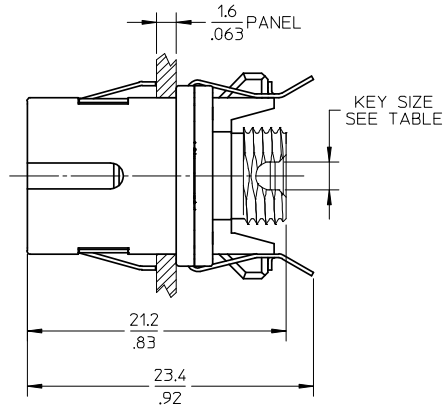
RECOMMENDED MOUNTING CUTOUT
(1.6mm THICK PANEL)



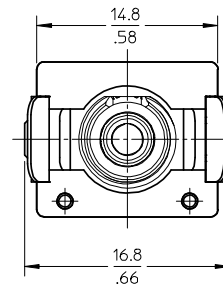
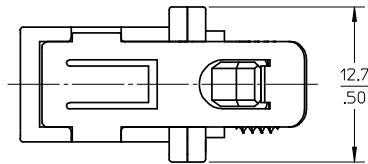
- NOTES:
 1. ALL DIMENSIONS ARE FOR REFERENCE ONLY.
 2. PACKAGING: ADAPTERS AND DUSTCAPS ARE PACKED IN A PLASTIC TRAY.

ENTER DESCRIPTION EC NO: MF2008-0308 DR: MANKPEVNER 2008/02/07 CHKD: 2008/02/07 APPR: IGUMIN 2008/02/14	QUALITY SYMBOLS	GENERAL TOLERANCES (UNLESS SPECIFIED)		DIMENSION STYLE		SCALE	DESIGN UNITS	THIRD ANGLE PROJECTION	
	▼=0 ∇=0	mm	INCH	MM/IN		2.5:1	METRIC	UNIVERSAL ADAPTER	
		4 PLACES	±----	±----	DRAWN BY	DATE	Molex MOLEX INCORPORATED		
		3 PLACES	±----	±----	SERNST	2006/02/13			
2 PLACES	±----	±----	CHECKED BY	DATE	DSZILAGYI 2006/03/07				
1 PLACE	±----	±----	APPROVED BY	DATE	SMIGO 2006/03/07	DOCUMENT NO.	SD-106154-002		
ANGULAR ± 1°		DRAFT WHERE APPLICABLE MUST REMAIN WITHIN DIMENSIONS		MATERIAL NO.		SEE TABLE		SHEET NO.	
A3				SIZE B		THIS DRAWING CONTAINS INFORMATION THAT IS PROPRIETARY TO MOLEX INCORPORATED AND SHOULD NOT BE USED WITHOUT WRITTEN PERMISSION		3 OF 10	

ADAPTER P/N	STYLE	TYPE	SLEEVE MAT'L	MODULE COLOR	KEY SIZE (mm)
1061541110	SC-FC	SINGLE MODE	ZIRCONIA	BLUE	2.3
1061541115	SC-FC/APC			GREEN	2
1061541111	SC-FC	MULTIMODE	PHOSPHOR BRONZE	BEIGE	2.3



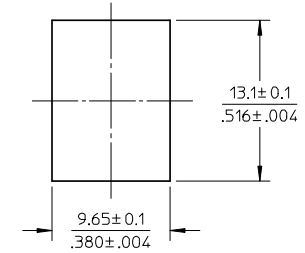
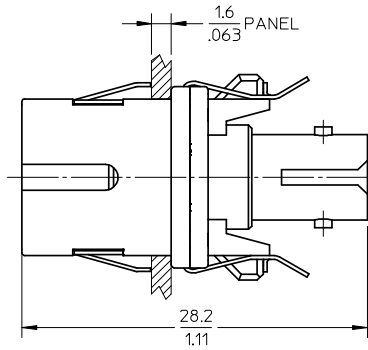
RECOMMENDED MOUNTING CUTOUT
(1.6mm THICK PANEL)



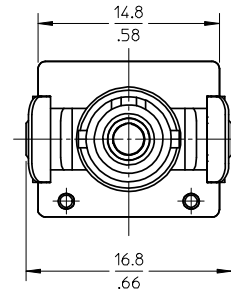
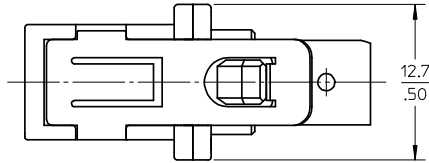
- NOTES:
- ALL DIMENSIONS ARE FOR REFERENCE ONLY.
 - PACKAGING: ADAPTERS AND DUSTCAPS ARE PACKED IN A PLASTIC TRAY.

ENTER DESCRIPTION EC NO: MF2008-0308 DR: MANKPEVZNER 2008/02/07 CHKD: 2008/02/07 APPR: IGUMIN 2008/02/14 A3	QUALITY SYMBOLS ▽=0 ▽=0	GENERAL TOLERANCES (UNLESS SPECIFIED)		DIMENSION STYLE MM/IN	SCALE 2.5:1	DESIGN UNITS METRIC	THIRD ANGLE PROJECTION	
		4 PLACES ± --- ± ---	DRAWN BY SERNST	DATE 2006/02/13	TITLE UNIVERSAL ADAPTER			
		3 PLACES ± --- ± ---	CHECKED BY DSZILAGYI	DATE 2006/03/07				
		2 PLACES ± --- ± ---	APPROVED BY SMIGO	DATE 2006/03/07	Molex MOLEX INCORPORATED			
1 PLACE ± --- ± ---	MATERIAL NO. SEE TABLE		DOCUMENT NO. SD-106154-002	SHEET NO. 4 OF 10				
DRAFT WHERE APPLICABLE MUST REMAIN WITHIN DIMENSIONS				THIS DRAWING CONTAINS INFORMATION THAT IS PROPRIETARY TO MOLEX INCORPORATED AND SHOULD NOT BE USED WITHOUT WRITTEN PERMISSION				

ADAPTER P/N	STYLE	TYPE	SLEEVE MAT'L
1061541120	SC-ST	SINGLE MODE	ZIRCONIA
1061541121		MULTIMODE	PHOS BRONZE



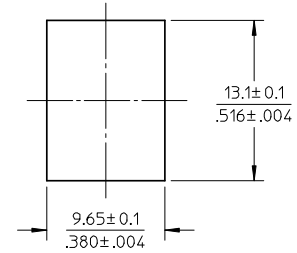
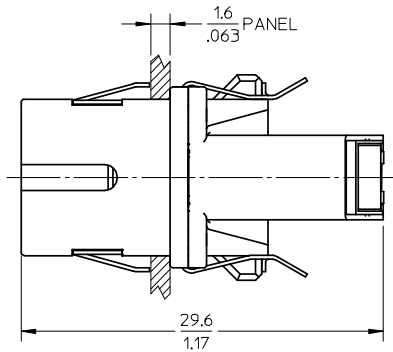
RECOMMENDED MOUNTING CUTOUT
(1.6mm THICK PANEL)



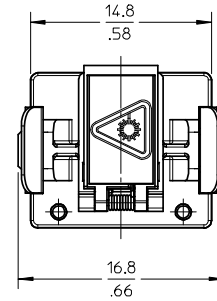
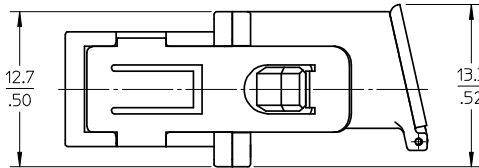
- NOTES:
1. ALL DIMENSIONS ARE FOR REFERENCE ONLY.
2. PACKAGING: ADAPTERS AND DUSTCAPS ARE PACKED IN A PLASTIC TRAY.

ENTER DESCRIPTION EC NO: MF2008-0308 DRW: WKPZNER 2008/02/07 CHKD: 2008/02/07 APPR: LGUMIN 2008/02/14	QUALITY SYMBOLS	GENERAL TOLERANCES (UNLESS SPECIFIED)	DIMENSION STYLE	SCALE	DESIGN UNITS	THIRD ANGLE PROJECTION	
	▼=0 ▽=0	mm INCH 4 PLACES ± --- ± --- 3 PLACES ± --- ± --- 2 PLACES ± --- ± --- 1 PLACE ± --- ± --- ANGULAR ± 1°	MM/IN	2.5:1	METRIC	DRAWN BY DATE SERNST 2006/02/13 CHECKED BY DATE DSZILAGYI 2006/03/07 APPROVED BY DATE SMIGO 2006/03/07	
		DRAFT WHERE APPLICABLE MUST REMAIN WITHIN DIMENSIONS	MATERIAL NO.	TITLE UNIVERSAL ADAPTER		MOLEX INCORPORATED DOCUMENT NO. SD-106154-002	SHEET NO. 5 OF 10
	A3		SEE TABLE	THIS DRAWING CONTAINS INFORMATION THAT IS PROPRIETARY TO MOLEX INCORPORATED AND SHOULD NOT BE USED WITHOUT WRITTEN PERMISSION			

ADAPTER P/N	STYLE	TYPE	SLEEVE MAT'L
1061541130	SC-LC	SM OR MM	NICKEL



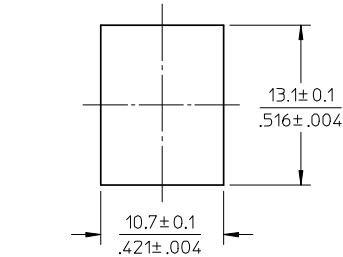
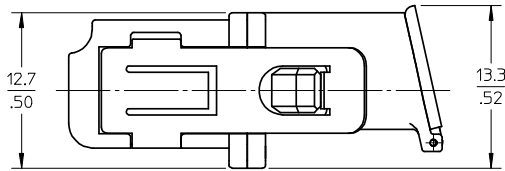
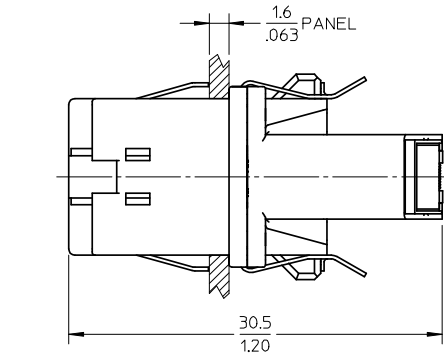
RECOMMENDED MOUNTING CUTOUT
(1.6mm THICK PANEL)



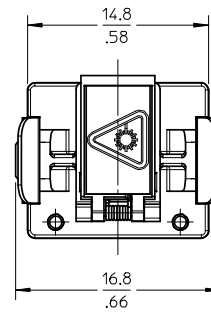
- NOTES:
1. ALL DIMENSIONS ARE FOR REFERENCE ONLY.
2. PACKAGING: ADAPTERS AND DUSTCAPS ARE PACKED IN A PLASTIC TRAY.

ENTER DESCRIPTION EC NO: MF2008-0308 DRAWN BY: DRWANKPEVZNER CHKD: 2008/02/07 APPR: IGUMIN 2008/02/14	QUALITY SYMBOLS	GENERAL TOLERANCES (UNLESS SPECIFIED)		DIMENSION STYLE		SCALE	DESIGN UNITS	THIRD ANGLE PROJECTION	
	▼=0 ∇=0	mm	INCH	MM/IN		2.5:1	METRIC	UNIVERSAL ADAPTER	
		4 PLACES	±---	±---	DRAWN BY	DATE	MOLEX INCORPORATED DOCUMENT NO. SD-106154-002 SHEET NO. 6 OF 10		
		3 PLACES	±---	±---	SERNST	2006/02/13			
2 PLACES	±---	±---	CHECKED BY	DATE					
1 PLACE	±---	±---	DSZILAGYI	2006/03/07	APPROVED BY		DATE		
REV	DESCRIPTION	ANGULAR ± 1°		SMIGO	2006/03/07	MATERIAL NO.		SEE TABLE	
A3		DRAFT WHERE APPLICABLE MUST REMAIN WITHIN DIMENSIONS		MATERIAL NO.		DOCUMENT NO.		SEE TABLE	
				SIZE B		THIS DRAWING CONTAINS INFORMATION THAT IS PROPRIETARY TO MOLEX INCORPORATED AND SHOULD NOT BE USED WITHOUT WRITTEN PERMISSION			

ADAPTER P/N	STYLE	TYPE	SLEEVE MAT'L	MODULE COLOR
1061541630	LC-LC	SINGLE MODE	ZIRCONIA	BLUE
1061541635	LC-LC/APC			GREEN
1061541631	LC-LC	MULTIMODE	PHOSPHOR BRONZE	BEIGE



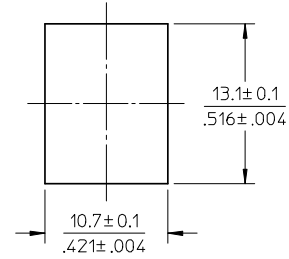
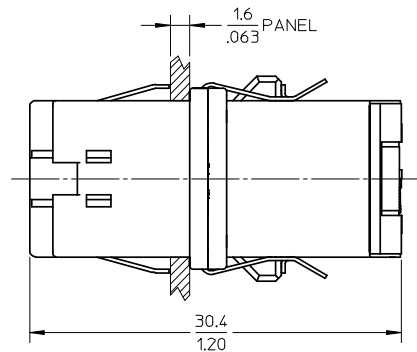
RECOMMENDED MOUNTING CUTOUT
(1.6mm THICK PANEL)



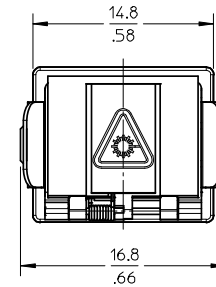
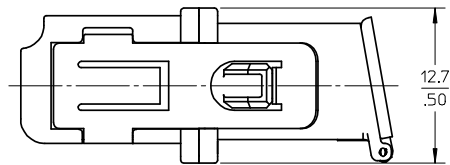
- NOTES:
- ALL DIMENSIONS ARE FOR REFERENCE ONLY.
 - PACKAGING: ADAPTERS AND DUSTCAPS ARE PACKED IN A PLASTIC TRAY.

ENTER DESCRIPTION EC NO: MF2008-0308 DRW: MKPEVZNER 2008/02/07 CHKD: 2008/02/07 APPR: IGUMIN 2008/02/14	QUALITY SYMBOLS	GENERAL TOLERANCES (UNLESS SPECIFIED)	DIMENSION STYLE	SCALE	DESIGN UNITS	THIRD ANGLE PROJECTION
	▼=0 ∇=0	mm INCH	MM/IN	2.5:1	METRIC	
		4 PLACES ± --- ± ---	DRAWN BY DATE	TITLE		
		3 PLACES ± --- ± ---	SERNST 2006/02/13	UNIVERSAL ADAPTER		
	2 PLACES ± --- ± ---	CHECKED BY DATE	MOLEX INCORPORATED			
	1 PLACE ± --- ± ---	DSZILAGYI 2006/03/07				
	ANGULAR ± 1 °	APPROVED BY DATE	DOCUMENT NO.	SHEET NO.		
		SMIGO 2006/03/07	SD-106154-002	7 OF 10		
		DRAFT WHERE APPLICABLE MUST REMAIN WITHIN DIMENSIONS	SEE TABLE	THIS DRAWING CONTAINS INFORMATION THAT IS PROPRIETARY TO MOLEX INCORPORATED AND SHOULD NOT BE USED WITHOUT WRITTEN PERMISSION		

ADAPTER P/N	STYLE	TYPE	SLEEVE MAT'L
1061541600	LC-SC	SM OR MM	NICKEL



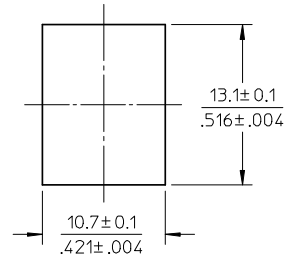
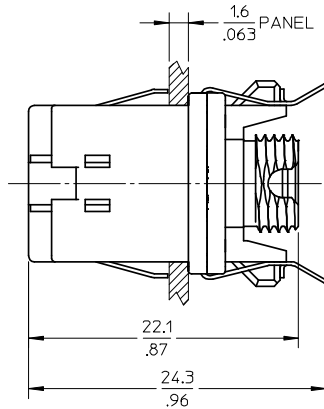
RECOMMENDED MOUNTING CUTOUT
(1.6mm THICK PANEL)



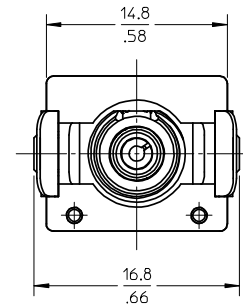
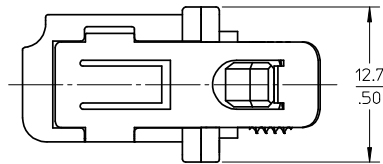
- NOTES:
1. ALL DIMENSIONS ARE FOR REFERENCE ONLY.
2. PACKAGING: ADAPTERS AND DUSTCAPS ARE PACKED IN A PLASTIC TRAY.

ENTER DESCRIPTION EC NO: MF2008-0308 DRW: DRW/KPEVZNER 2008/02/07 CHKD: 2008/02/07 APPR: LGUMIN 2008/02/14 A3	QUALITY SYMBOLS	GENERAL TOLERANCES (UNLESS SPECIFIED)		DIMENSION STYLE		SCALE	DESIGN UNITS	THIRD ANGLE PROJECTION		
	▼=0 ▽=0	mm	INCH	MM/IN		2.5:1	METRIC			
		4 PLACES	± ---	± ---	DRAWN BY	DATE	TITLE			
		3 PLACES	± ---	± ---	SERNST	2006/02/13	UNIVERSAL ADAPTER			
		2 PLACES	± ---	± ---	CHECKED BY	DATE				
	1 PLACE	± ---	± ---	DSZILAGYI	2006/03/07					
		ANGULAR ± 1 °		APPROVED BY	DATE					
				SMIGO	2006/03/07					
		DRAFT WHERE APPLICABLE MUST REMAIN WITHIN DIMENSIONS		MATERIAL NO.	SEE TABLE	DOCUMENT NO.		SHEET NO.		
				SIZE	B	SD-106154-002		8 OF 10		
		THIS DRAWING CONTAINS INFORMATION THAT IS PROPRIETARY TO MOLEX INCORPORATED AND SHOULD NOT BE USED WITHOUT WRITTEN PERMISSION								

ADAPTER P/N	STYLE	TYPE	SLEEVE MAT'L
1061541610	LC-FC	SM OR MM	NICKEL



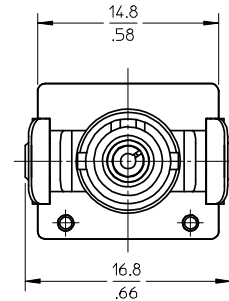
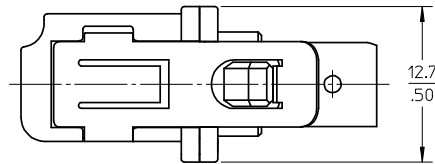
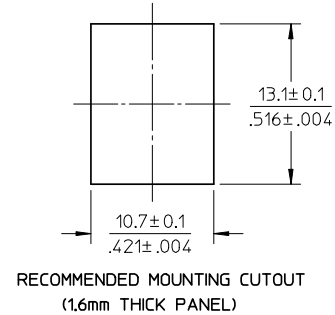
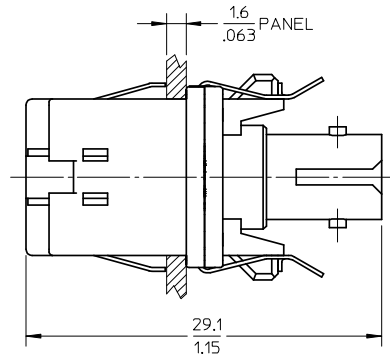
RECOMMENDED MOUNTING CUTOUT
(1.6mm THICK PANEL)



- NOTES:
 1. ALL DIMENSIONS ARE FOR REFERENCE ONLY.
 2. PACKAGING: ADAPTERS AND DUSTCAPS ARE PACKED IN A PLASTIC TRAY.

ENTER DESCRIPTION EC NO: MF2008-0308 DRW: MKPEVZNER 2008/02/07 CHKD: 2008/02/07 APPR: LGUMIN 2008/02/14 A3	QUALITY SYMBOLS ▽=0 ▽=0	GENERAL TOLERANCES (UNLESS SPECIFIED) mm INCH 4 PLACES ± --- ± --- 3 PLACES ± --- ± --- 2 PLACES ± --- ± --- 1 PLACE ± --- ± --- ANGULAR ± 1°	DIMENSION STYLE MM/IN DRAWN BY DATE SERNST 2006/02/13 CHECKED BY DATE DSZILAGYI 2006/03/07 APPROVED BY DATE SMIGO 2006/03/07	SCALE 2.5:1 DESIGN UNITS METRIC THIRD ANGLE PROJECTION	TITLE UNIVERSAL ADAPTER
	DRAFT WHERE APPLICABLE MUST REMAIN WITHIN DIMENSIONS		MATERIAL NO. SEE TABLE	DOCUMENT NO. SD-106154-002	SHEET NO. 9 OF 10
	MOLEX INCORPORATED THIS DRAWING CONTAINS INFORMATION THAT IS PROPRIETARY TO MOLEX INCORPORATED AND SHOULD NOT BE USED WITHOUT WRITTEN PERMISSION				
	SIZE B				

ADAPTER P/N	STYLE	TYPE	SLEEVE MAT'L
1061541620	LC-ST	SM OR MM	NICKEL



NOTES:
1. ALL DIMENSIONS ARE FOR REFERENCE ONLY.
2. PACKAGING: ADAPTERS AND DUSTCAPS ARE PACKED IN A PLASTIC TRAY.

ENTER DESCRIPTION EC NO: MF2008-0308 DR: MANKPEVZNER CHKD: 2008/02/07 APPR: IGUMIN 2008/02/14	QUALITY SYMBOLS ▽=0 ▽=0	GENERAL TOLERANCES (UNLESS SPECIFIED)		DIMENSION STYLE MM/IN	SCALE 2.5:1	DESIGN UNITS METRIC	THIRD ANGLE PROJECTION		
		4 PLACES ± --- ± --- 3 PLACES ± --- ± --- 2 PLACES ± --- ± --- 1 PLACE ± --- ± ---	mm INCH	DRAWN BY DATE SERNST 2006/02/13	TITLE UNIVERSAL ADAPTER				
		ANGULAR ± 1°		CHECKED BY DATE DSZILAGYI 2006/03/07	MOLEX INCORPORATED				
		DRAFT WHERE APPLICABLE MUST REMAIN WITHIN DIMENSIONS		APPROVED BY DATE SMIGO 2006/03/07	MATERIAL NO. SEE TABLE	DOCUMENT NO. SD-106154-002	SHEET NO. 10 OF 10		
A3				SIZE B		THIS DRAWING CONTAINS INFORMATION THAT IS PROPRIETARY TO MOLEX INCORPORATED AND SHOULD NOT BE USED WITHOUT WRITTEN PERMISSION			