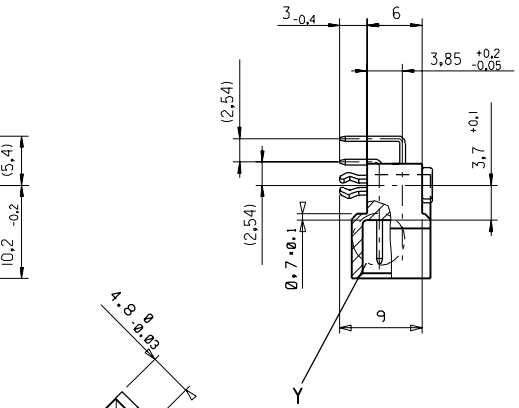
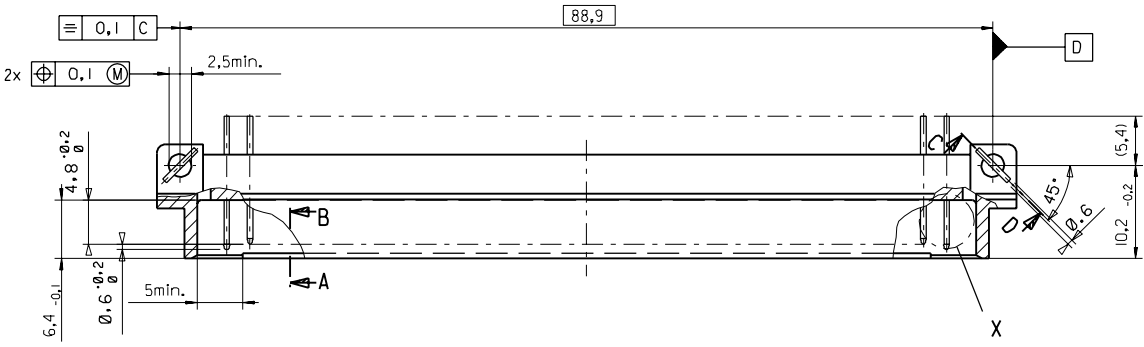
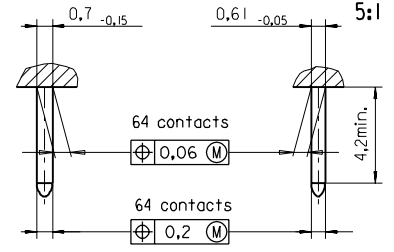
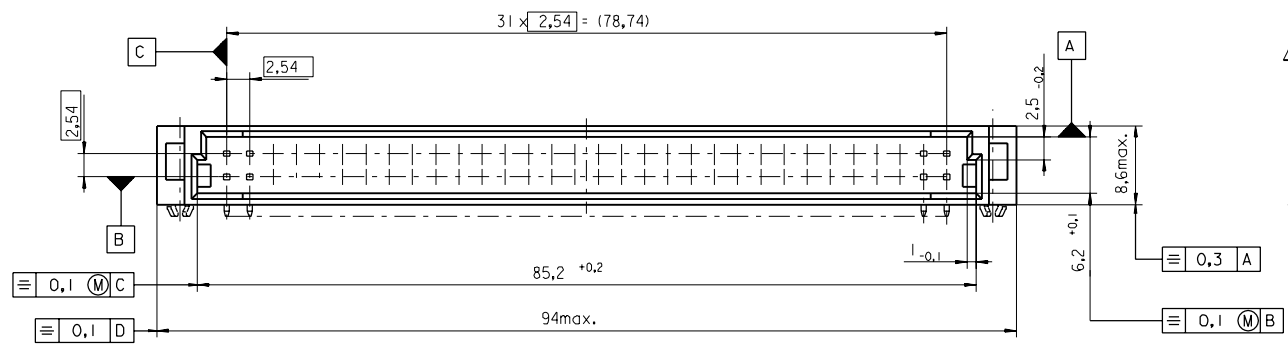


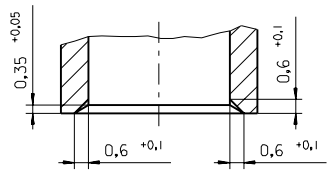
PART NO.  
DWG. NO.

View X 5:1 View Y 5:1



Section C - D

Section A - B  
5:1



FIRST ANGLE PROJECTION		REVISE ONLY ON CAD SYSTEM		SH.	REV.
first release see ECN No. 1887	REVISIONS FOR PREVIOUS REVISIONS SEE MRI LIST	UNLESS OTHERWISE SPECIFIED TOLERANCES: ANGULAR ±2°	DRWG BY <b>Ca</b>	CAD/CAM PROJECT NAME 85001000 S11	
		INCH METRIC	CHK'D BY <b>KN</b>	THIS DRAWING CONTAINS INFORMATION THAT IS PROPRIETARY TO MOLEX INC. & SHOULD NOT BE USED WITHOUT WRITTEN PERMISSION	
		3 PLACE ± . ±	APP'D BY	TITLE <b>64 pos. Male connector acc. DIN 41612 style B Dimensions</b>	
		2 PLACE ± . ±	SCALE <b>2:1</b>	SHEET NO. DATE 1 OF 95/06/06	
1 PLACE ± . ±	DESIGN DIMENSION <input checked="" type="checkbox"/> MM	MOLEX MOLEX EUROPE		SHEET NO. DATE	
DRAFT WHERE APPLICABLE MUST REMAIN WITHIN DIMENSIONS	EQUIVALENT DIMENSION <input type="checkbox"/> MM	PART NO.		DWG NO.	
IF TWO DIMENSIONS ARE SHOWN THE UPPER IS THE DESIGN DIMENSION, LOWER IS SECONDARY		SDA-85001-0001		SIZE <b>B</b>	

