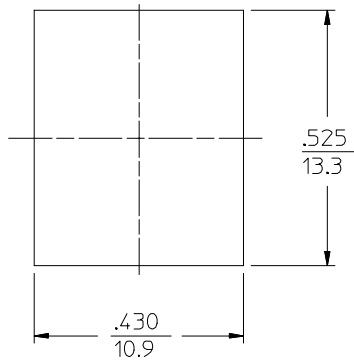
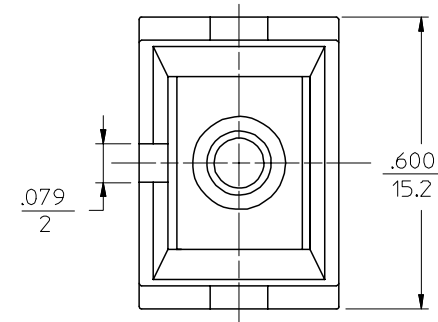
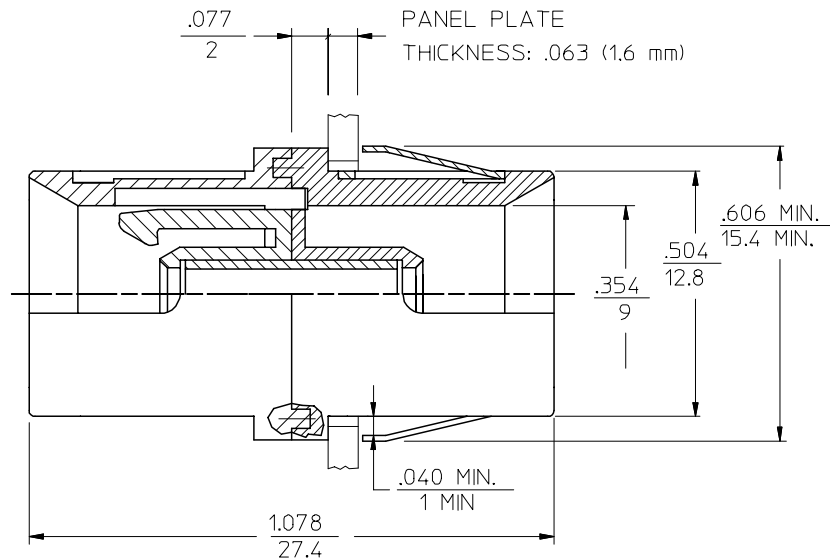
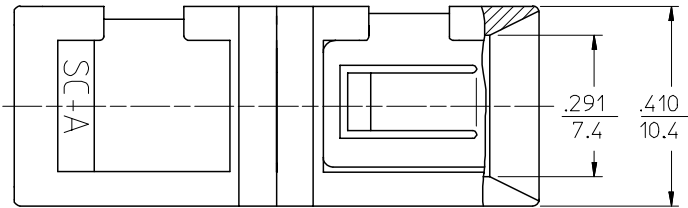


P/N OF ADAPTER	MATERIAL OF SPLIT SLEEVE	COLOR OF ADAPTER SHELL
86170-0000	ZR	BLACK
86171-0000	PHOSPHOR BRONZE	GREEN
86170-0020	ZR	
86171-0020	PHOSPHOR BRONZE	RED
86170-0030	ZR	
86171-0030	PHOSPHOR BRONZE	BLUE
86170-0050	ZR	



RECOMMENDED MOUNTING HOLE

NOTE:  
DUST CAPS ARE NOT SHOWN.

ENTER DESCRIPTION EC NO: MF2006-0722 DRWN:KPEVZNER CHKD: APPR:IGUMIN	QUALITY SYMBOLS ▽=0 ▽=0	GENERAL TOLERANCES (UNLESS SPECIFIED)		DIMENSION STYLE IN/MM	SCALE 4:1	DESIGN UNITS INCH	THIRD ANGLE PROJECTION		
		4 PLACES ± --- ± ---	3 PLACES ± --- ± ---	DRAWN BY KPEVZNER	DATE 2006/05/03	TITLE BSC BACK PANEL ADAPTER			
		2 PLACES ± --- ± ---	1 PLACE ± --- ± ---	CHECKED BY	DATE	APPROVED BY IGUMIN	DATE 2006/05/03	MOLEX INCORPORATED	
		ANGULAR ±1/2°		MATERIAL NO. SEE TABLE		DOCUMENT NO. SD-106170-0YY0	SHEET NO. 1 OF 1		
DRAFT WHERE APPLICABLE MUST REMAIN WITHIN DIMENSIONS		THIS DRAWING CONTAINS INFORMATION THAT IS PROPRIETARY TO MOLEX INCORPORATED AND SHOULD NOT BE USED WITHOUT WRITTEN PERMISSION							