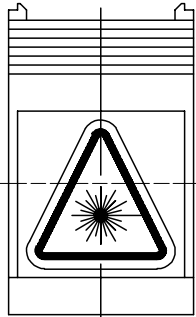
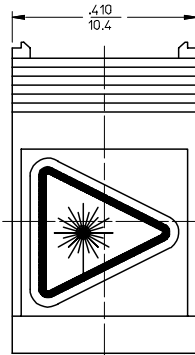


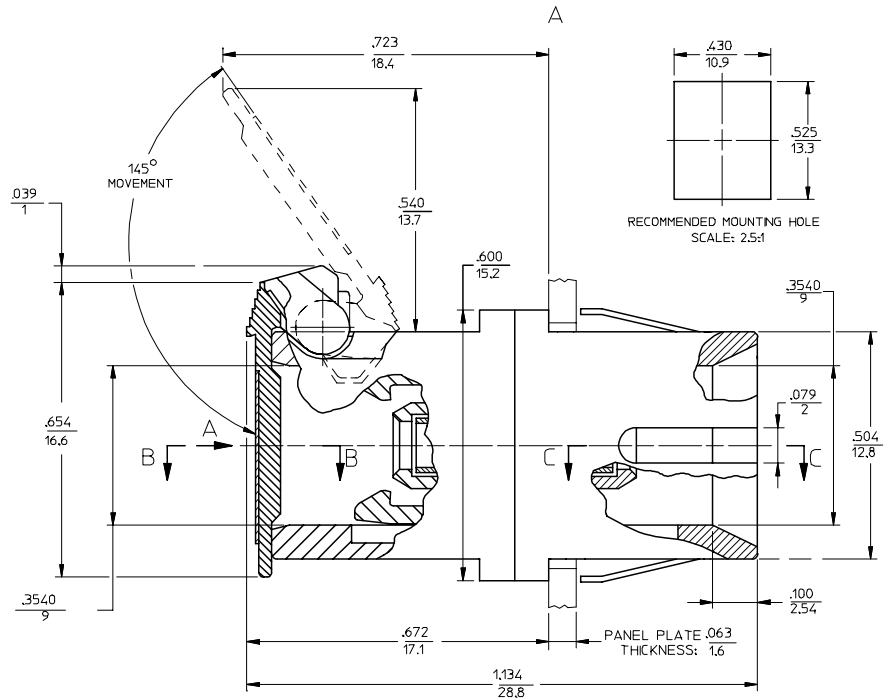
| ADAPTER P/N | SPLIT SLEEVE MATERIAL | COLOR OF ADAPTER |
|-------------|-----------------------|------------------|
| 106170-0400 | ZR | BLACK |
| 106170-0420 | | GREEN |
| 106170-0430 | | RED |
| 106171-0400 | PHOSPHOR BRONZE | BLACK |
| 106171-0420 | | GREEN |
| 106171-0430 | | RED |



VIEW A
VERSION 2



VIEW A
VERSION 1



NOTES:

- LABEL MUST BE INSTALLED AND ORIENTED BY CUSTOMER. (SEE VIEW A)
- DUST CAP NOT SHOWN, BUT INCLUDED.

| | | | | | | | |
|--|--------------------------------------|---|---|---|------------------------------|-----------------------------|-------------------------------|
| ENTER DESCRIPTION EC NO: MF2006-0237 DRAWN: JGIBLIN 2005/11/29 CHKD: 2005/11/29 APPR: JGUMIN 2005/11/29 REVISIONS A | QUALITY SYMBOLS = 0 = 0 | GENERAL TOLERANCES (UNLESS SPECIFIED) | | DIMENSION STYLE IN/MM | SCALE 4:1 | DESIGN UNITS INCH | THIRD ANGLE PROJECTION |
| | | 4 PLACES ± --- ± --- 3 PLACES ± --- ± --- 2 PLACES ± --- ± --- 1 PLACE ± --- ± --- | DRAWN BY: RPACIFICI DATE: 2005/10/13 CHECKED BY: _____ DATE: _____ | TITLE BSC ADAPTER WITH SHIELD | | | |
| | | ANGULAR ±1/2° | | APPROVED BY: _____ DATE: _____ | MOLEX INCORPORATED | | |
| | | DRAFT WHERE APPLICABLE MUST REMAIN WITHIN DIMENSIONS | | MATERIAL NO.: SEE TABLE SIZE: C | DOCUMENT NO.: SD-10617X-X4X0 | SHEET NO.: 1 OF 01 | |