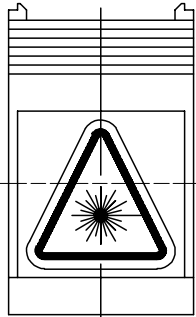
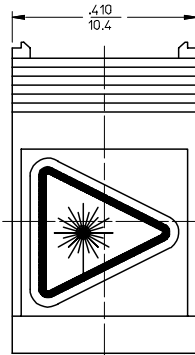


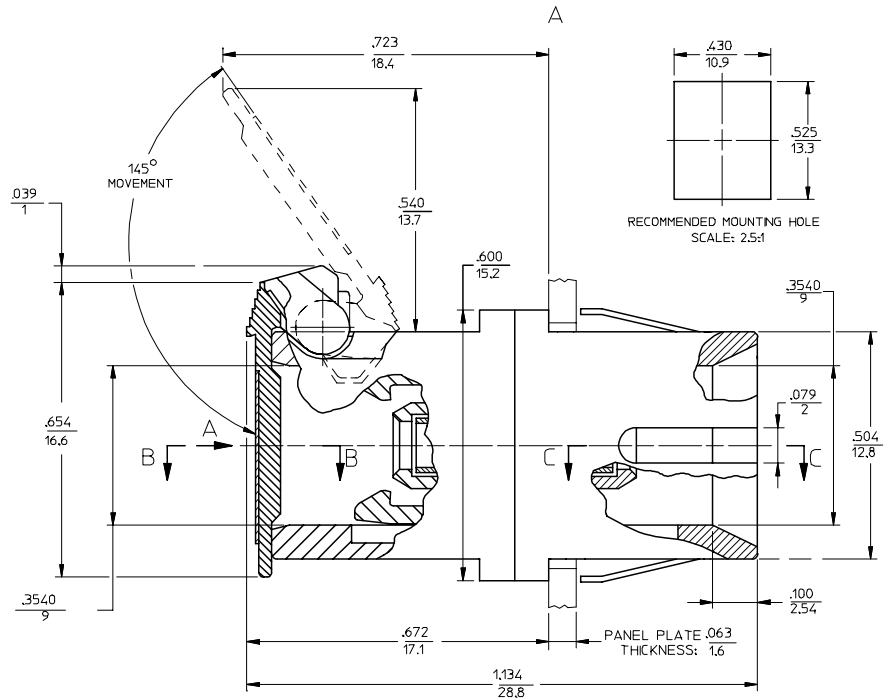
ADAPTER P/N	SPLIT SLEEVE MATERIAL	COLOR OF ADAPTER
106170-0400	ZR	BLACK
106170-0420		GREEN
106170-0430		RED
106171-0400	PHOSPHOR BRONZE	BLACK
106171-0420		GREEN
106171-0430		RED



VIEW A
VERSION 2



VIEW A
VERSION 1



NOTES:

- LABEL MUST BE INSTALLED AND ORIENTED BY CUSTOMER. (SEE VIEW A)
- DUST CAP NOT SHOWN, BUT INCLUDED.

ENTER DESCRIPTION EC NO: MF2006-0237 DRAWN: PGBLIN 2005/11/29 CHKD: 2005/11/29 APPR: JGUMIN 2005/11/29 REVISIONS A	QUALITY SYMBOLS = 0 = 0	GENERAL TOLERANCES (UNLESS SPECIFIED)		DIMENSION STYLE IN/MM	SCALE 4:1	DESIGN UNITS INCH	THIRD ANGLE PROJECTION		
		4 PLACES ± --- ± ---	3 PLACES ± --- ± ---	2 PLACES ± --- ± ---	1 PLACE ± --- ± ---	DRAWN BY RPACIFICI	DATE 2005/10/13	TITLE BSC ADAPTER WITH SHIELD	
		ANGULAR ±1/2°				CHECKED BY	DATE	APPROVED BY	
		DRAFT WHERE APPLICABLE MUST REMAIN WITHIN DIMENSIONS				MATERIAL NO. SEE TABLE	DOCUMENT NO. SD-10617X-X4X0	SHEET NO. 1 OF 01	
THIS DRAWING CONTAINS INFORMATION THAT IS PROPRIETARY TO MOLEX INCORPORATED AND SHOULD NOT BE USED WITHOUT WRITTEN PERMISSION									