

**CABLE SPECIFICATIONS:**

**1.- STANDARD JUMPER SERIES # 25001 (8996 CABLE .125" S/R BOTH ENDS)**

**2.- PHYSICAL**

CONDUCTOR SPACING ----- .100" (2.54mm)  $\phi$  TO  $\phi$   
 WIRE GAUGE ----- 26 AWG (7/34), STRANDED, TOPCOAT  
 INSULATION ----- GRAY PVC  
 EDGE MARK COLOR ----- RED

**3.- AGENCY**

U.L. STYLE ----- 2651  
 TEMPERATURE RATING ----- -20 °C TO 105 °C  
 VOLTAGE RATING ----- 300V. MAX.  
 FLAMMABILITY RATING ----- VW-1

**4.- SPECIAL REQUIREMENT**

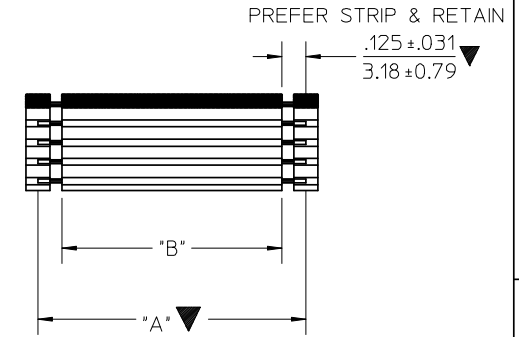
RoHS AND LEAD FREE COMPLIANT  
 NO TEXT MARKING ON PCB

**5.- GENERAL**

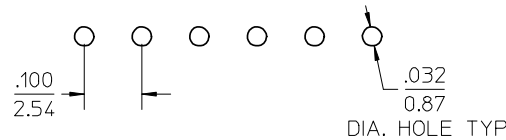
NON-OPERATING TEMPERATURE ----- -20°C TO 105°C  $\triangle B_1$

**6.- SOLDERING CONDITION**

SOLDER TEMPERATURE ----- 260°C. MAX.  
 SOLDERING TIME ----- 3 SECOND. MAX.  
 INSULATION SHRINK ----- 2MM. NOM

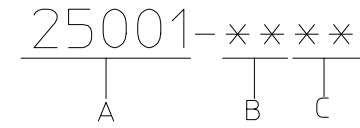


**PCB HOLE LAYOUT**  
 RECOMENDED HOLE DIA. .032 In.



OVERALL LENGTH ("A")  
 TOLERANCE FOR OAL +/- .100"  
 INSULATION LENGTH ("B" REF.)  
 DIMS "A" & "B" REFERS TO  
 SHOWN IN MATRIX.

MATRIX FOR STANDARD JUMPERS SERIES # 25001 (8996 CABLE .125" S/R BOTH ENDS)								
LENGTH "A" (±.100")	1.250"	2.250"	3.250"	4.250"	5.250"	6.250"	7.250"	8.250"
LENGTH "B" CIRCUITS (REF)	1.000"	2.000"	3.000"	4.000"	5.000"	6.000"	7.000"	8.000"
3	25001-0301	25001-0302	25001-0303	25001-0304	25001-0305	25001-0306	25001-0307	25001-0308
4	25001-0401	25001-0402	25001-0403	25001-0404	25001-0405	25001-0406	25001-0407	25001-0408
5	25001-0501	25001-0502	25001-0503	25001-0504	25001-0505	25001-0506	25001-0507	25001-0508
6	25001-0601	25001-0602	25001-0603	25001-0604	25001-0605	25001-0606	25001-0607	25001-0608
7	25001-0701	25001-0702	25001-0703	25001-0704	25001-0705	25001-0706	25001-0707	25001-0708
8	25001-0801	25001-0802	25001-0803	25001-0804	25001-0805	25001-0806	25001-0807	25001-0808
9	25001-0901	25001-0902	25001-0903	25001-0904	25001-0905	25001-0906	25001-0907	25001-0908
10	25001-1001	25001-1002	25001-1003	25001-1004	25001-1005	25001-1006	25001-1007	25001-1008
11	25001-1101	25001-1102	---	---	---	---	---	---



A = STD. JUMPER I.D. No  
 B = CIRCUIT SIZE  
 3 THRU 11  
 C = DENOTES LENGTH  
 1.000" TO 8.000"

B	E-07-0793	B <sub>1</sub> : ADD GENERAL & SOLDERING CONDITION DATA	07/12/06
A	THL2006-0003	NEW RELEASE	06/05/17
REV. HISTORY	EC NO.	DETAIL	DATE

SEE CHANGE DETAIL EC NO: THL2008-0019 DRWN: CPANSAKHOM 2007/12/07 CHKD: NCHALERM 2007/12/11 APPR: SVIRAT JAPOL 2007/12/20	QUALITY SYMBOLS	DESCRIPTION
	$\nabla=3$ $\nabla=0$	
B	REV	

GENERAL TOLERANCES (UNLESS SPECIFIED)	
	mm INCH
4 PLACES	± --- ± ---
3 PLACES	± --- ± ---
2 PLACES	± --- ± ---
1 PLACE	± --- ± ---
ANGULAR ± ---°	
DRAFT WHERE APPLICABLE MUST REMAIN WITHIN DIMENSIONS	

DIMENSION STYLE	
IN/MM	
DRAWN BY	DATE
PREECHAI	2006/05/17
CHECKED BY	DATE
DNARINTARA	2006/05/17
APPROVED BY	DATE
SVIRAT JAPOL	2006/05/17
MATERIAL NO.	
SEE CHART	

SCALE	DESIGN UNITS	THIRD ANGLE PROJECTION
NTS	INCH	$\triangle$
TITLE		
STANDARD JUMPER .100" CTR PVC INSULATED 26 AWG STR. TOPCATED		
molex MOLEX INCORPORATED		
DOCUMENT NO.		SHEET NO.
SD-25001-001		1 OF 1
THIS DRAWING CONTAINS INFORMATION THAT IS PROPRIETARY TO MOLEX INCORPORATED AND SHOULD NOT BE USED WITHOUT WRITTEN PERMISSION		