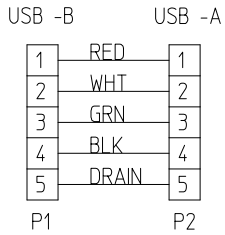
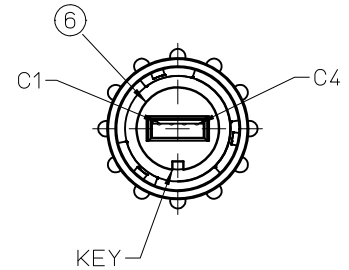
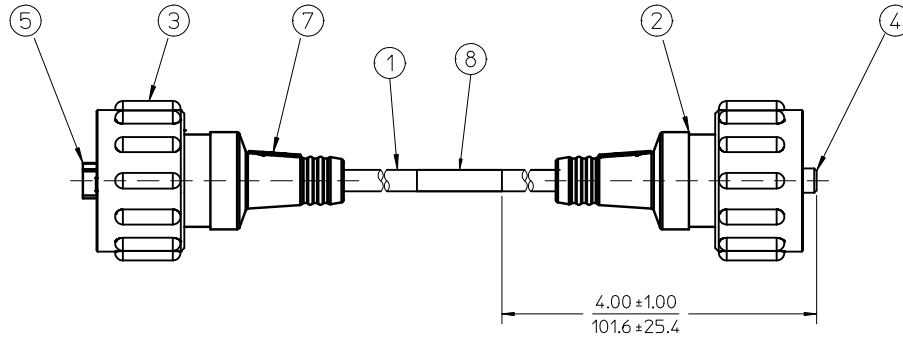
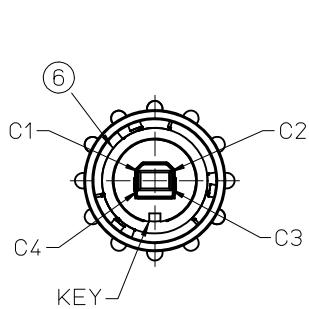
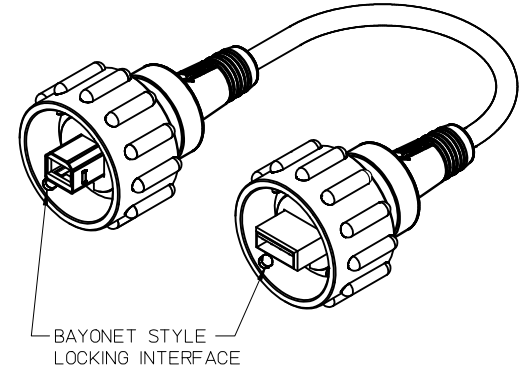
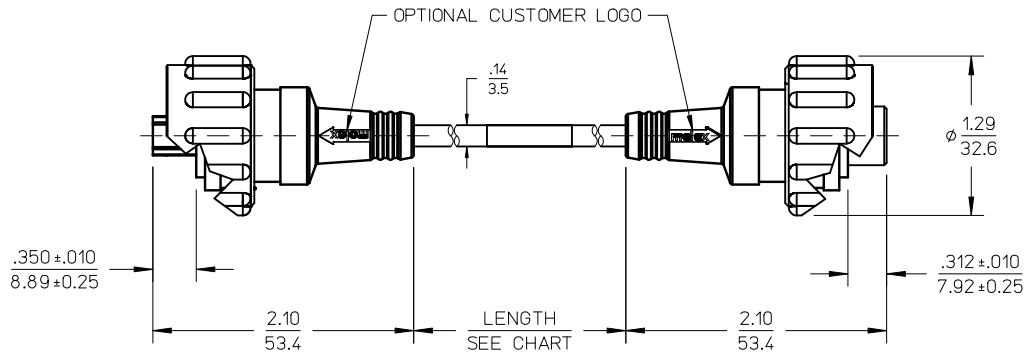


PART NO.	LENGTH
847320001	0.8M (31.50") +1.0"/-0.0"
847320002	1.5M (59.06") +1.5"/-0.0"
847320003	2.0M (78.74") +1.5"/-0.0"
847320004	3.0M (118.11") +1.5"/-0.0"
847320005	5.0M (196.85") +2.0"/-0.0"



WIRING DIAGRAM



NOTES: UNLESS OTHERWISE SPECIFIED

1. MATERIAL: SEE TABLE.
2. FINISH: SEE TABLE.
3. PRODUCT SPECIFICATION: SEE SPECIFICATION.
4. PACKAGING: AS REQUIRED.
5. MATES WITH BAYONET STYLE USB A & B BAYONET LOCKING RECEPTACLES.
6. ASSEMBLY IS RoHS COMPLIANT.

8	1	WRAP LABEL	PLASTIC FILM	BLACK/YELLOW
7	2	OVERMOLD	PVC	BLACK
6	2	GASKET SEAL	NITRILE	BLACK
5	1	USB TYPE -B SHIELDED PLUG	-	-
4	1	USB TYPE -A SHIELDED PLUG	-	-
3	2	COUPLING RING	POLYESTER	BLACK
2	2	HOLDERS USB A-B	POLYESTER	BLACK
1	1	CABLE 4/C, 28AWG, SHIELD/DRAIN USB	-	BLACK
ITEM	QTY.	DESCRIPTION	MATERIAL NO.	FINISH

ADD WRAP LABEL EC NO: WNA2010-0206 DRAWN: YOU 2009/10/19 CHKD: RSTONE 2009/12/15 APPR: JFURPHY 2009/12/15	QUALITY SYMBOLS ▽=0 ▽=0	GENERAL TOLERANCES (UNLESS SPECIFIED) <table border="1"> <thead> <tr> <th></th> <th>mm</th> <th>INCH</th> </tr> </thead> <tbody> <tr> <td>4 PLACES</td> <td>± ---</td> <td>± ---</td> </tr> <tr> <td>3 PLACES</td> <td>± ---</td> <td>± .005</td> </tr> <tr> <td>2 PLACES</td> <td>± 0.13</td> <td>± .01</td> </tr> <tr> <td>1 PLACE</td> <td>± 0.3</td> <td>± ---</td> </tr> </tbody> </table>		mm	INCH	4 PLACES	± ---	± ---	3 PLACES	± ---	± .005	2 PLACES	± 0.13	± .01	1 PLACE	± 0.3	± ---	DIMENSION STYLE IN/MM	SCALE 1:1	DESIGN UNITS INCH	THIRD ANGLE PROJECTION
		mm	INCH																		
	4 PLACES	± ---	± ---																		
	3 PLACES	± ---	± .005																		
2 PLACES	± 0.13	± .01																			
1 PLACE	± 0.3	± ---																			
DRAFT WHERE APPLICABLE MUST REMAIN WITHIN DIMENSIONS	SEE CHART	DRAWN BY S.GILBERT	DATE 11-30-04	TITLE USB DUAL PLUG TYPE A & B COUPLER SHIELDED CABLE CIC, DE EXT CORD																	
MATERIAL NO. SIZE B	APPROVED BY JFMURPHY	DATE 2009/12/15	MOLEX INCORPORATED	DOCUMENT NO. SD-84732-001	SHEET NO. 1 OF 1	THIS DRAWING CONTAINS INFORMATION THAT IS PROPRIETARY TO MOLEX INCORPORATED AND SHOULD NOT BE USED WITHOUT WRITTEN PERMISSION															