

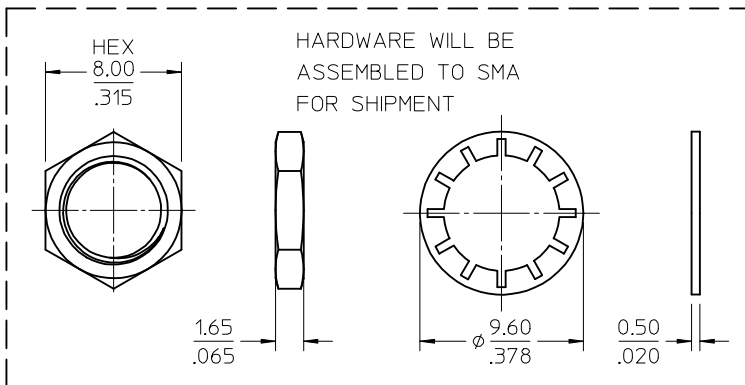
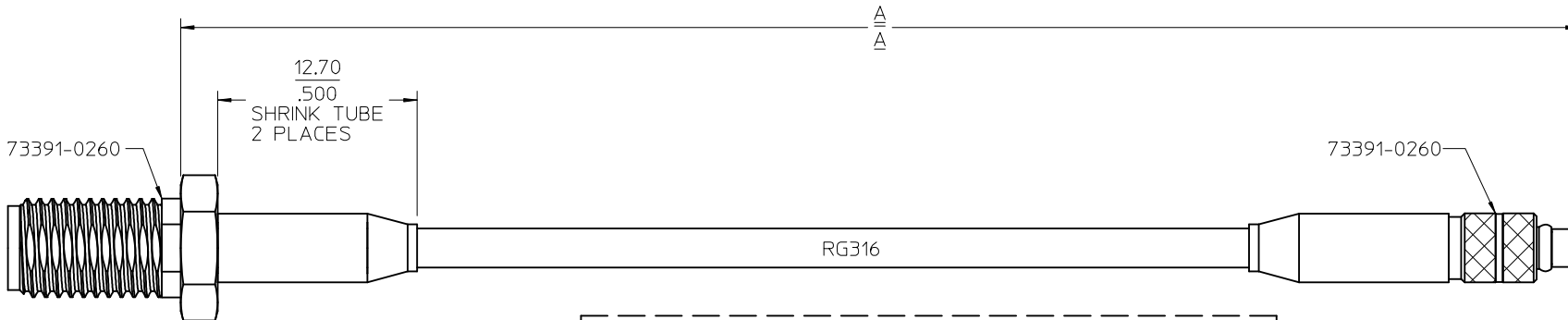
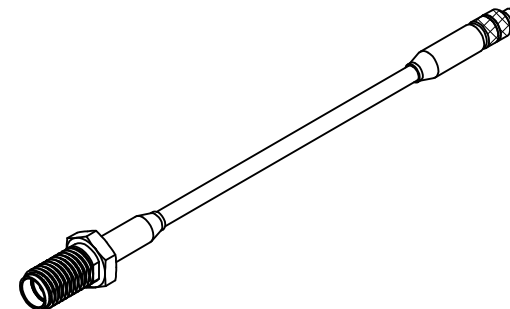
MATERIALS AND FINISHES

SMA JACK: SEE SD-73391-026

MMCX PLUG: SEE SD-73415-125

CABLE: RG316

SHRINK TUBE: VERSAFIT



CABLES WILL BE INDIVIDUALLY BAGGED

BAG LABEL:
MOLEX: P/N
DATE CODE

89761-6812	18.0±.35	457.2±8.89	POLYBAG
89761-6811	12.0±.25	304.8±6.35	POLYBAG
89761-6810	6.00±.25	152.4±6.35	POLYBAG
PART NO.	IN	MM	PACKAGING
A			

CECC-22-340	INTERFACE MMCX
MIL-STD-348A, FIG. 310.2	INTERFACE SMA
SPECIFICATION	DESCRIPTION

CHG: REGENERATED IN SYSTEM PER RF12-E082	EC NO: URF2013-0035	2012/07/12	QUALITY SYMBOLS	GENERAL TOLERANCES (UNLESS SPECIFIED)	DIMENSION STYLE		SCALE	DESIGN UNITS	THIRD ANGLE PROJECTION
	DRWNR:YEH	2012/07/28			MM/IN	4.5:1	METRIC		
CHKD:	APPR:MHUANG	2012/07/28	▽=0	4 PLACES ± --- ± ---	DRAWN BY	DATE	TITLE CA SMA JACK STR BKHD TO MMCX PLUG STR W/RG316 CA-SMAJ/MMCXP, EWR-3874		
REV	A2		▽=0	3 PLACES ± --- ± ---	AZR	2009/01/08			
			▽=0	2 PLACES ± --- ± ---	CHECKED BY	DATE	DOCUMENT NO. SD-89761-681		
				1 PLACE ± --- ± ---	SSS	2009/01/08			
				0 PLACE ± --- ± ---	APPROVED BY	DATE	SHEET NO. 1 OF 1		
					JDW	2009/01/08			
					MATERIAL NO.		THIS DRAWING CONTAINS INFORMATION THAT IS PROPRIETARY TO MOLEX INCORPORATED AND SHOULD NOT BE USED WITHOUT WRITTEN PERMISSION		
					SEE TABLE				

ANGULAR ± 2 °	
DRAFT WHERE APPLICABLE MUST REMAIN WITHIN DIMENSIONS	

SIZE	C
------	---

DRAWN BY		DATE
CHECKED BY		DATE
APPROVED BY		DATE

TITLE		CA SMA JACK STR BKHD TO MMCX PLUG STR W/RG316 CA-SMAJ/MMCXP, EWR-3874	
DOCUMENT NO.		SD-89761-681	
SHEET NO.		1 OF 1	