

MATERIALS AND FINISHES

CABLES WILL BE INDIVIDUALLY BAGGED

SMA JACK: SEE SD-73391-026

BAG LABEL:

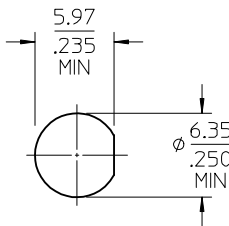
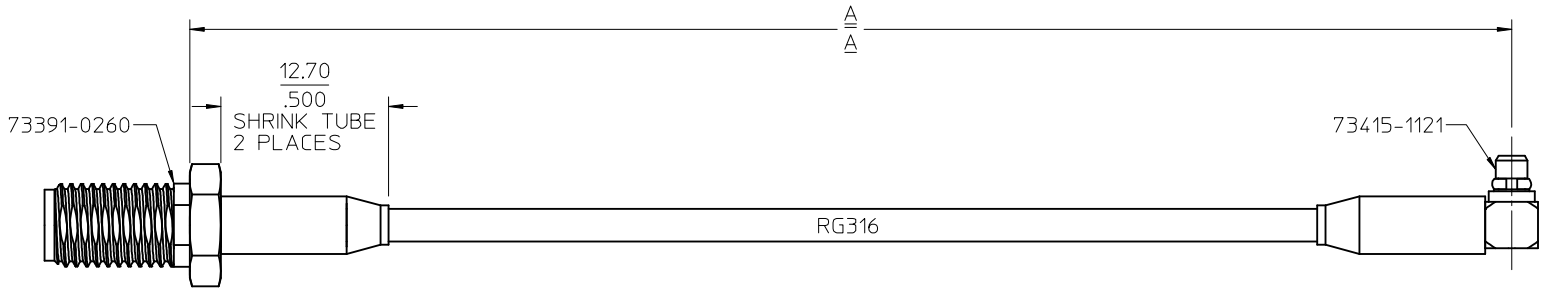
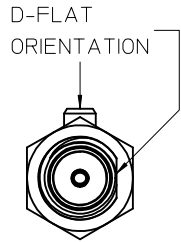
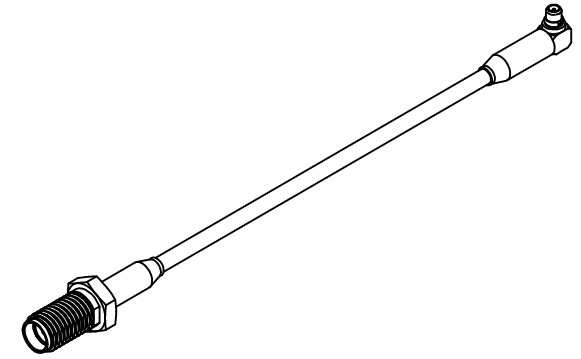
MMCX PLUG: SEE SD-73415-112

MOLEX: P/N

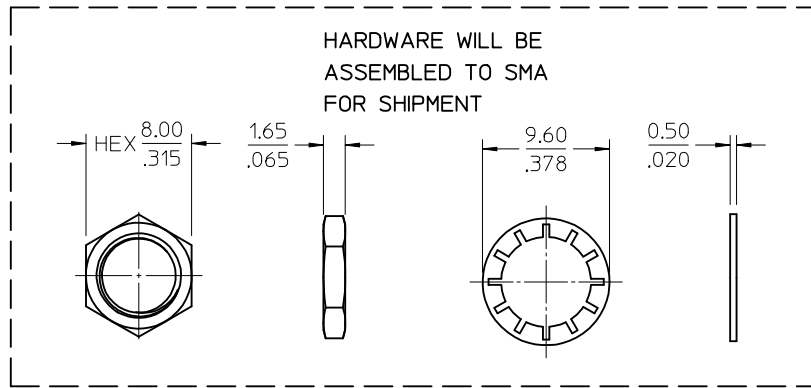
DATE CODE

CABLE: RG316

SHRINK TUBE: VERSAFIT



RECOMMENDED PANEL CUTOUT
MAX PANEL THICKNESS 3.18 (.125)



| | | | |
|------------|----------|------------|-----------|
| 89761-6822 | 18.0±.35 | 457.2±8.89 | POLYBAG |
| 89761-6821 | 12.0±.25 | 304.8±6.35 | POLYBAG |
| 89761-6820 | 6.00±.25 | 152.4±6.35 | POLYBAG |
| PART NO. | IN | MM | PACKAGING |
| A | | | |

| | |
|--------------------------|----------------|
| CECC-22-340 | INTERFACE MMCX |
| MIL-STD-348A, FIG. 310.2 | INTERFACE SMA |
| SPECIFICATION | DESCRIPTION |

| | | | | | | | | | | |
|---|--------------------------------------|--|--|----------------------|----------------------|---|---------------------|--|---------------------|------------------|
| CHG: REGENERATED IN SYSTEM PER RF12-E082 EC NO: URF2013-0035 DRAWN: YEH CHKD: APPR: HUANG 2012/07/13 2012/07/28 | QUALITY SYMBOLS ∇=0 ∇=0 ∇=0 | GENERAL TOLERANCES (UNLESS SPECIFIED) | | DIMENSION STYLE | | SCALE | DESIGN UNITS | THIRD ANGLE PROJECTION CA SMA J STR BKHD TO MMCX P R/A W/RG316 CA-SMAJ/MMCXP, EWR-3874 molex DOCUMENT NO. SD-89761-682 SHEET NO. 1 OF 1 | | |
| | | | | MM/IN | | 3.5:1 | METRIC | | | |
| | | | | mm | INCH | DRAWN BY DATE | | | TITILE | |
| | | | | 4 PLACES ± --- ± --- | 3 PLACES ± --- ± --- | 2 PLACES ± --- ± --- | 1 PLACE ± --- ± --- | | 0 PLACE ± --- ± --- | APPROVED BY DATE |
| | | ANGULAR ± 2 ° | | MATERIAL NO. | | SEE TABLE | | | | |
| | | DRAFT WHERE APPLICABLE MUST REMAIN WITHIN DIMENSIONS | | SIZE | | THIS DRAWING CONTAINS INFORMATION THAT IS PROPRIETARY TO MOLEX INCORPORATED AND SHOULD NOT BE USED WITHOUT WRITTEN PERMISSION | | | | |