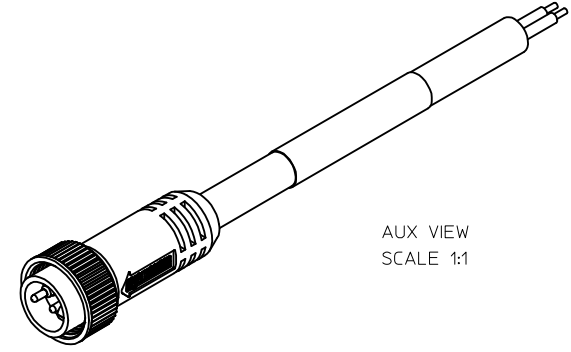
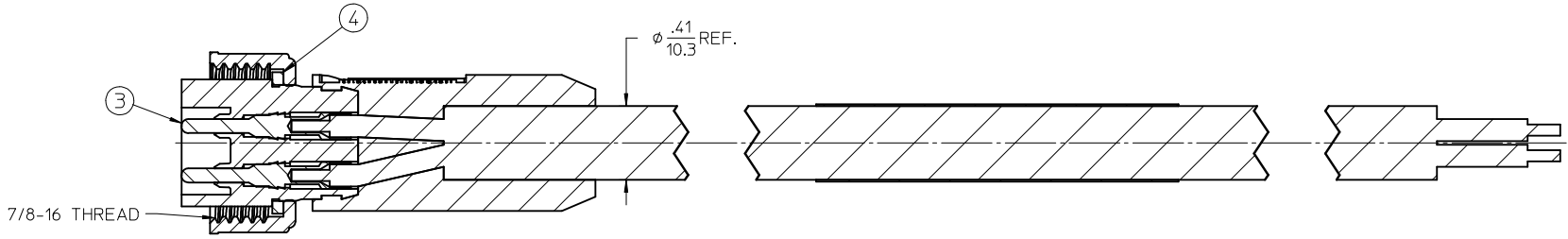


PART NUMBER	ENGINEERING NO.	LENGTH
1300060156	102002A01F030	3' +1.75 - 0 [ 0.9M +44.5 - 0 ]
1300060159	102002A01F060	6' +2.19 - 0 [ 1.8M +55.6 - 0 ]
1300060162	102002A01F120	12' +3.50 - 0 [ 3.7M +88.9 - 0 ]
1300060168	102002A01F200	20' +6.50 - 0 [ 6.1M +165.1 - 0 ]

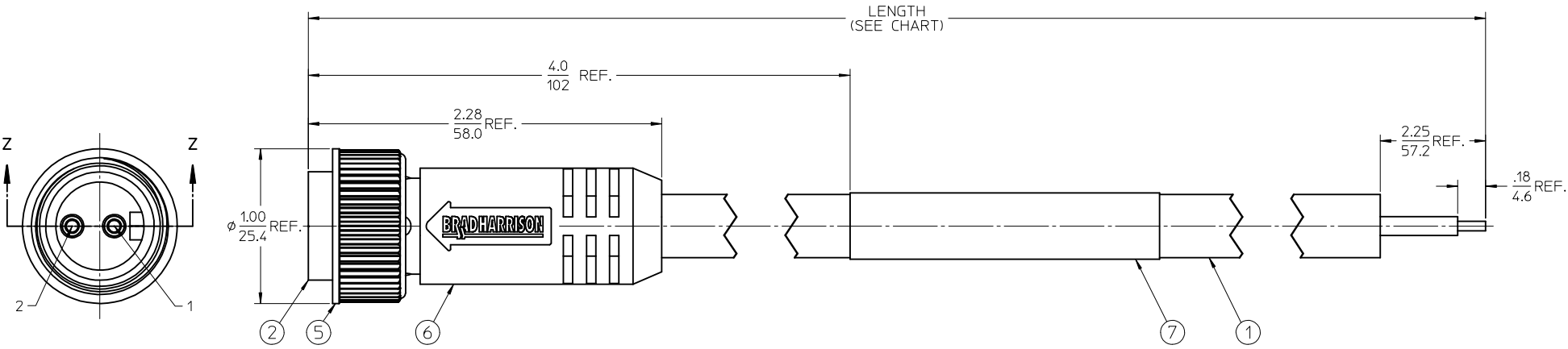
- NOTES:
1. MATERIAL: SEE TABLE
  2. FINISHES: SEE TABLE
  3. CABLE ASSEMBLIES ARE BAGGED SEPARATELY IN POLY BAGS WITH BARCODE LABEL ATTACHED TO OUTSIDE OF BAG
  4. WRAP LABEL IS MARKED WITH P/N, DATE CODE VOLTAGE & AMPERAGE
  5. MATES WITH: MINI CHANGE, A-SIZE 2 POLE RECEPTACLE
  6. ELECTRICAL SPECIFICATIONS:  
VOLTAGE RATING: 600V  
CURRENT RATING: 13 AMPS
  7. ASSEMBLY IS RoHS COMPLIANT



WIRING DIAGRAM



Section Z-Z



ITEM	QTY.	DESCRIPTION	MATERIAL	FINISH
7	1	LABEL	PLASTIC FILM	BLACK/YELLOW
6	1	OVERMOLD, STRAIGHT	PVC	YELLOW
5	1	COUPLING NUT, FEMALE	ZINC DIE CAST	BLACK
4	1	FRICION RING	NYLON	WHITE
3	2	CONTACT PIN, 16 AWG	BRASS	GOLD PLATED
2	1	INSERT, MALE, 2 POLE	PVC	YELLOW
1	1	CABLE, ST00W/ST #16/2	PVC JACKET	GRAY

**PURCHASING DRAWING**  
 EC NO: WNA2009-0810  
 DRWNL:HARTMANN 2009/06/05  
 CHKDR:STONE  
 APPR:JFMURPHY 2009/08/17

QUALITY SYMBOLS  
 ▽=0  
 ▽=0

GENERAL TOLERANCES (UNLESS SPECIFIED)  
 mm INCH  
 4 PLACES ± --- ± ---  
 3 PLACES ± --- ±.005  
 2 PLACES ± --- ±.010  
 1 PLACE ± --- ±.020  
 ANGULAR ±1/2°

DRAFT WHERE APPLICABLE MUST REMAIN WITHIN DIMENSIONS

DIMENSION STYLE IN/MM  
 DRAWN BY DATE  
 LHARTMANN 2009/06/05  
 CHECKED BY DATE  
 RSTONE 2009/06/08  
 APPROVED BY DATE  
 JFMURPHY 2009/06/08

MATERIAL NO.  
**SEE CHART**

SCALE 2:1  
 DESIGN UNITS INCH  
 THIRD ANGLE PROJECTION

TITLE  
**MINI-CHANGE PORTABLE  
 2 POLE MALE STRAIGHT  
 #16/2 YELLOW ST00W/ST**

**MOLEX INCORPORATED**

DOCUMENT NO. SD-130006-002  
 SHEET NO. 1 OF 1

THIS DRAWING CONTAINS INFORMATION THAT IS PROPRIETARY TO MOLEX INCORPORATED AND SHOULD NOT BE USED WITHOUT WRITTEN PERMISSION