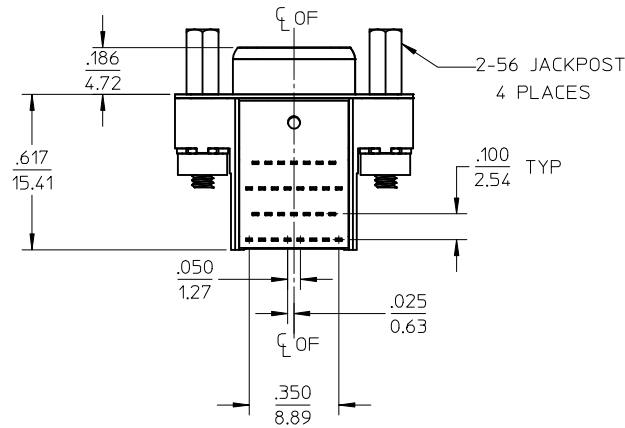
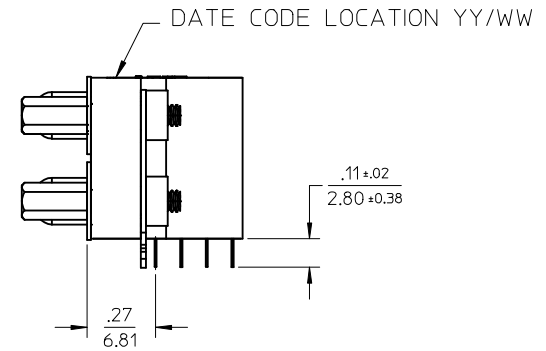
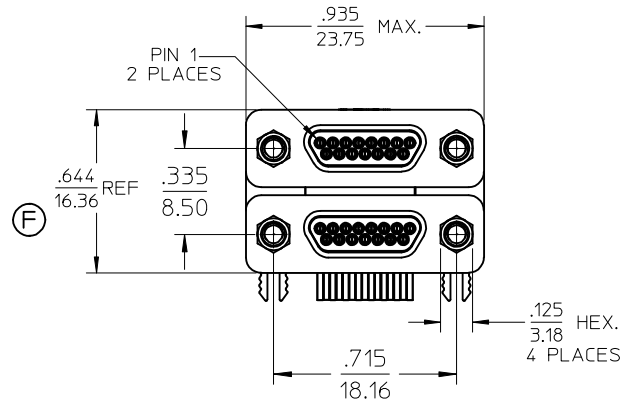


10	9	8	7	6	5	4	3	2	1
MATERIAL NO.	ENGINEERING NO.								
836199010	83619-9010								



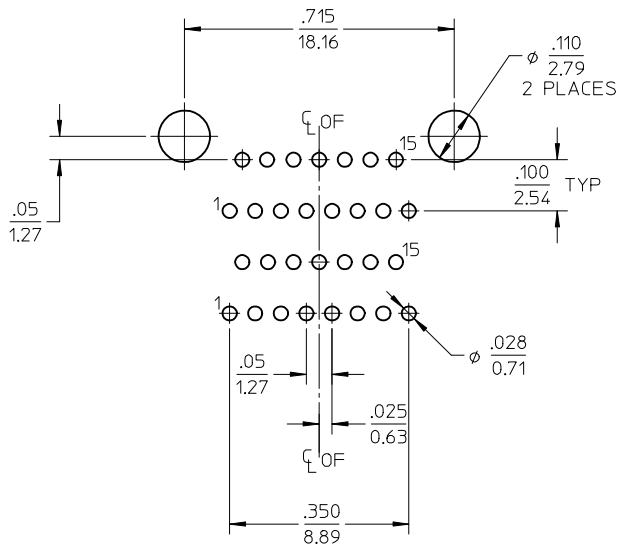
SALES DRAWING

NOTES: UNLESS OTHERWISE SPECIFIED.

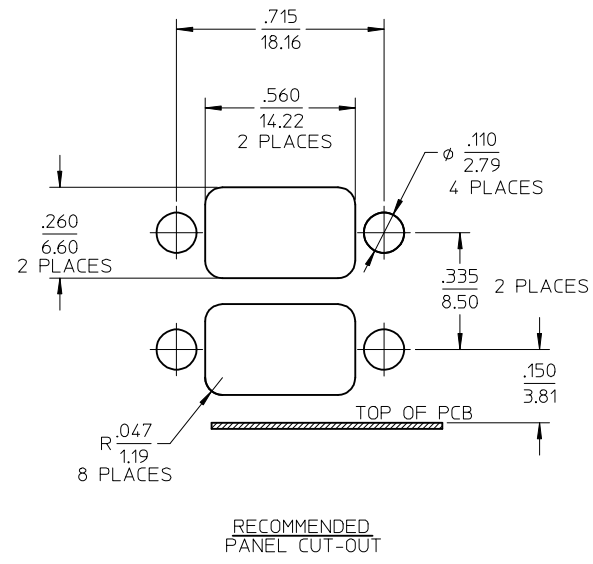
1. RoHS COMPLIANT.
2. SEE SHEET 2 OF 2 FOR P.C.B. LAYOUT AND PANEL CUT-OUT DIMENSIONS.

UPDATE DIM. EC NO: WNA2010-0136 DRWN:BRUPERT 2009/08/26 CHKD:BRUPERT 2009/08/26 APPR: JFMURPHY 2009/09/22	QUALITY SYMBOLS ▽=0 ◻=0	GENERAL TOLERANCES (UNLESS SPECIFIED)		DIMENSION STYLE IN/MM		SCALE 2:1	DESIGN UNITS INCH	THIRD ANGLE PROJECTION		
			mm	INCH	DRAWN BY	DATE	TITLE			
		4 PLACES	± ---	± ---	JLOMASTR	04/09/20	DUAL CONNECTOR COMM. MICRO D PLUG R/A SIZE 15			
		3 PLACES	± ---	± .005	CHECKED BY	DATE				
2 PLACES	± 0.13	± .01	RDEROSS	04/09/28	MOLEX INCORPORATED					
1 PLACE	± 0.25	± ---	APPROVED BY	DATE						
ANGULAR ± 1/2°		DRAFT WHERE APPLICABLE MUST REMAIN WITHIN DIMENSIONS		SEE CHART		MATERIAL NO.		DOCUMENT NO.		
				SIZE A3		SD-83619-006		SHEET NO. 1 OF 2		

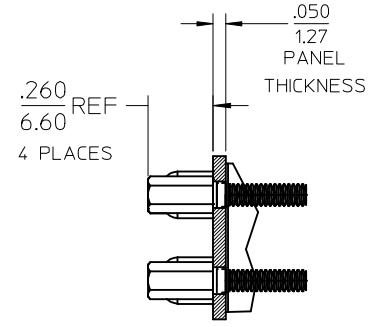
MATERIAL NO.	ENGINEERING NO.
836199010	83619-9010



RECOMMENDED
P.C.B. LAY-OUT
SOLDER SIDE



RECOMMENDED
PANEL CUT-OUT



SALES DRAWING

UPDATE GEO. EC NO: WNA2010-0136 DRWN:BRUPERT 2009/08/26 CHKD:BRUPERT 2009/08/26 APPR: JFMURPHY 2009/09/22	QUALITY SYMBOLS	GENERAL TOLERANCES (UNLESS SPECIFIED)	DIMENSION STYLE	SCALE	DESIGN UNITS	THIRD ANGLE PROJECTION	TITLE DUAL CONNECTOR COMM. MICRO D PLUG R/A SIZE 15 MOLEX INCORPORATED DOCUMENT NO. SD-83619-006 SHEET NO. 2 OF 2	
	▼=0 C=0	mm INCH 4 PLACES ± --- ± --- 3 PLACES ± --- ± .005 2 PLACES ± 0.13 ± .01 1 PLACE ± 0.25 ± --- ANGULAR ± 1/2°	IN/MM	2:1	INCH			
	DESCRIPTION	DRAFT WHERE APPLICABLE MUST REMAIN WITHIN DIMENSIONS	DRAWN BY: JLOMASTR DATE: 04/09/20 CHECKED BY: RDEROSS DATE: 04/09/28 APPROVED BY: JFMURPHY DATE: 2009/08/26					
	REV		SEE CHART					