

⑦ LOCKING LEVER

⑥ REAR SEAL COVER

⑤ GROMMET SEAL

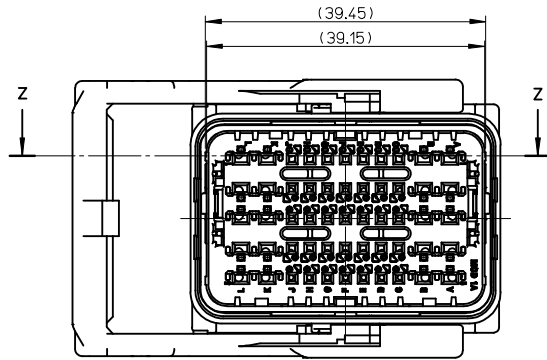
④ PERIMETER SEAL

③ SEAL PROTECTOR

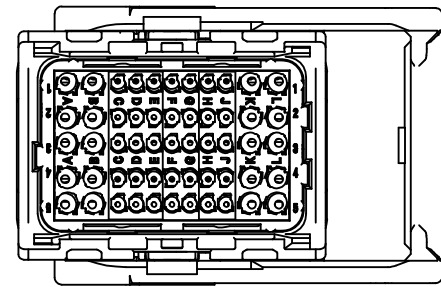
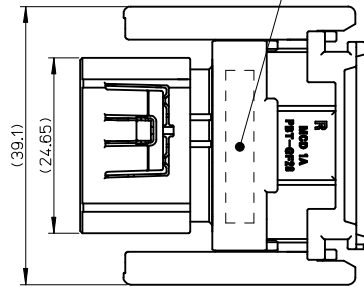
① TOP HOUSING

② SECONDARY LOCKING

SECTION Z-Z



LOT MARKING : MATERIAL No. / DATE / SHIFT



① TOP HOUSING	PBT G.F.	BLACK
② SECONDARY LOCKING	PBT G.F.	BLACK/BROWN
③ SEAL PROTECTOR	PBT G.F.	BLACK
④ PERIMETER SEAL	SILICONE	RED
⑤ GROMMET SEAL	SILICONE	RUST RED
⑥ REAR SEAL COVER	PBT G.F.	BLACK
⑦ LOCKING LEVER	PBT G.F.	DARK GRAY
部品名 PART NAME	材質 MATERIAL	色 COLOR

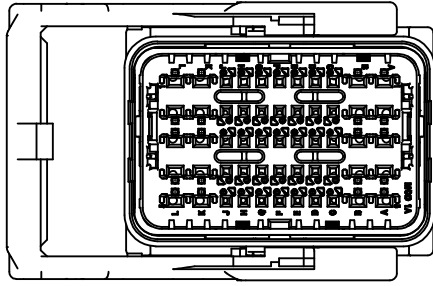
左 LEFT	560065-5522	BROWN	PRODUCTION
	560065-5512	BLACK	PRODUCTION
右 RIGHT	560065-5521	BROWN	PRODUCTION
	560065-5511	BLACK	PRODUCTION
ワイヤー引き出し方向(レバー方向) WIRE OUTPUT(LEVER DIRECTION)	型番 MATERIAL NO.	炭合極性 CODING	PRODUCT STATUS

MIGRATED FROM SD-560065-001 EC NO.: JTR2015-0081 DRAWN INQ: 2015/11/11 CHKD: SANDO 2015/11/11 APPR: MAYAMOTO 2015/11/20	GENERAL TOLERANCES (UNLESS SPECIFIED)		DIMENSION STYLE MM ONLY		SCALE 2:1	DESIGN UNITS METRIC	THIRD ANGLE PROJECTION	
	4 PLACES ± --- + ---	3 PLACES ± --- ± ---	2 PLACES ± --- ± ---	1 PLACE ± --- ± ---	0 PLACE ± ±	DRAWN BY SINAOKA 2011/03/07 CHECKED BY SANDO 2011/03/09 APPROVED BY MAYAMOTO 2015/11/20		
	ANGULAR ± 1 °		DRAFT WHERE APPLICABLE MUST REMAIN WITHIN DIMENSIONS		MATERIAL NO. SEE TABLE		DOCUMENT NO. RSD-560065-001	SHEET NO. 1 OF 2
	THIS DRAWING CONTAINS INFORMATION THAT IS PROPRIETARY TO MOLEX INCORPORATED AND SHOULD NOT BE USED WITHOUT WRITTEN PERMISSION.							

嵌合極性
CODING

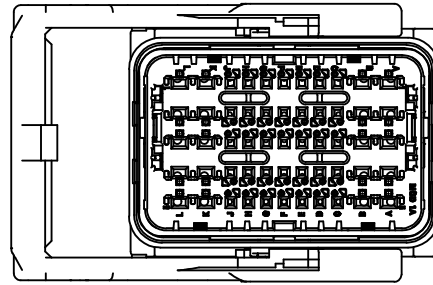
560065-551*

BLACK



560065-552*

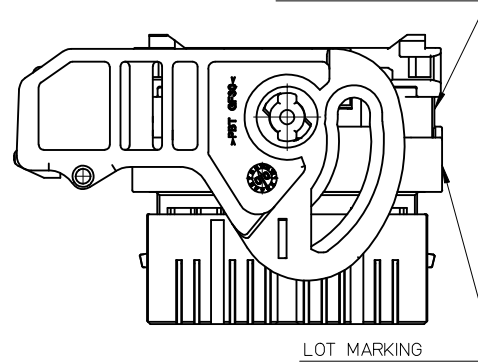
BROWN



ワイヤー引出し: 右
WIRE OUTPUT: RIGHT

560065-55*1

'R'のマーキングあり
RIGHT MARKING 'R'

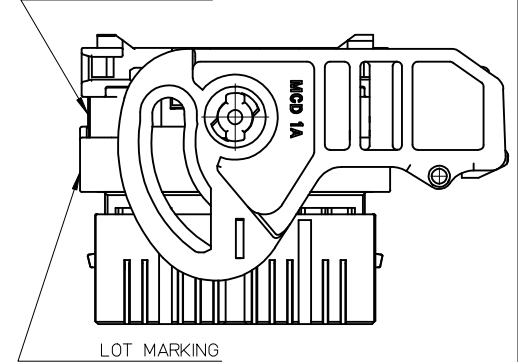


LOT MARKING

ワイヤー引出し: 左
WIRE OUTPUT: LEFT

560065-55*2

'L'のマーキングあり
LEFT MARKING 'L'



LOT MARKING

<適用端子と適用電線サイズ> <APPLICABLE TERMINAL AND WIRE SIZE>

回路 CIRCUIT	適用端子 APPLICABLE TERMINAL	品番 PART NO.	電線サイズ APPLICABLE WIRE SIZE	電線被覆外径 (mm) INSULATION DIAMETER
信号部	CTX64 TERMINAL	34803-3211	AVSS / CAVS 0.3sq	1.4 - 1.5
		34803-3212	AVSS / CAVS 0.5 - 0.85sq	1.6 - 1.9
電源部	CTX150 TERMINAL	34805-0111	AVSS / CAVS 0.5sq	1.6 - 1.7
		34805-0112	AVSS / CAVS 0.85 - 1.25sq	1.8 - 2.2
		34805-0113	AVSS / CAVS 1.25 - 2sq	2.1 - 2.7

注記 / NOTES

- 適用端子 / APPLICABLE TERMINAL
信号部 / SIGNAL
CTX64 TERMINAL 34803-3211, 34803-3212
電源部 / POWER
CTX150 TERMINAL 34805-0111, 34805-0112, 34805-0113
- 適合ワイヤーキャップ / APPLICABLE WIRE CAP : 502730-0001
- 取り扱い説明書 / APPLICATION SPECIFICATION: RAS-560065-001
- ELV及びRoHS適合品
ELV AND RoHS COMPLIANT

CONFIDENTIAL

MIGRATED FROM SD-560065-001 EC NO.: JR2015-0081 DRAWN: INQUE02 2015/11/11 CHKD: SANDO 2015/11/11 APPR: MAYAMAMOTO 2015/11/20	GENERAL TOLERANCES (UNLESS SPECIFIED)		DIMENSION STYLE MM ONLY		SCALE 2:1	DESIGN UNITS METRIC	THIRD ANGLE PROJECTION
		mm	INCH	DRAWN BY SINAOKA	DATE 2011/03/07	TITLE CMX CONNECTOR 55WAY ASSY	
	4 PLACES	± ---	± ---	CHECKED BY SANDO	DATE 2011/03/09	molex	
	3 PLACES	± ---	± ---	APPROVED BY MAYAMAMOTO	DATE 2015/11/20		
2 PLACES	± ---	± ---	MATERIAL NO.		DOCUMENT NO.	SHEET NO. 2 OF 2	
1 PLACE	± ---	± ---	SEE TABLE		RSD-560065-001		
0 PLACE	±	±	THIS DRAWING CONTAINS INFORMATION THAT IS PROPRIETARY TO MOLEX INCORPORATED AND SHOULD NOT BE USED WITHOUT WRITTEN PERMISSION				