

6

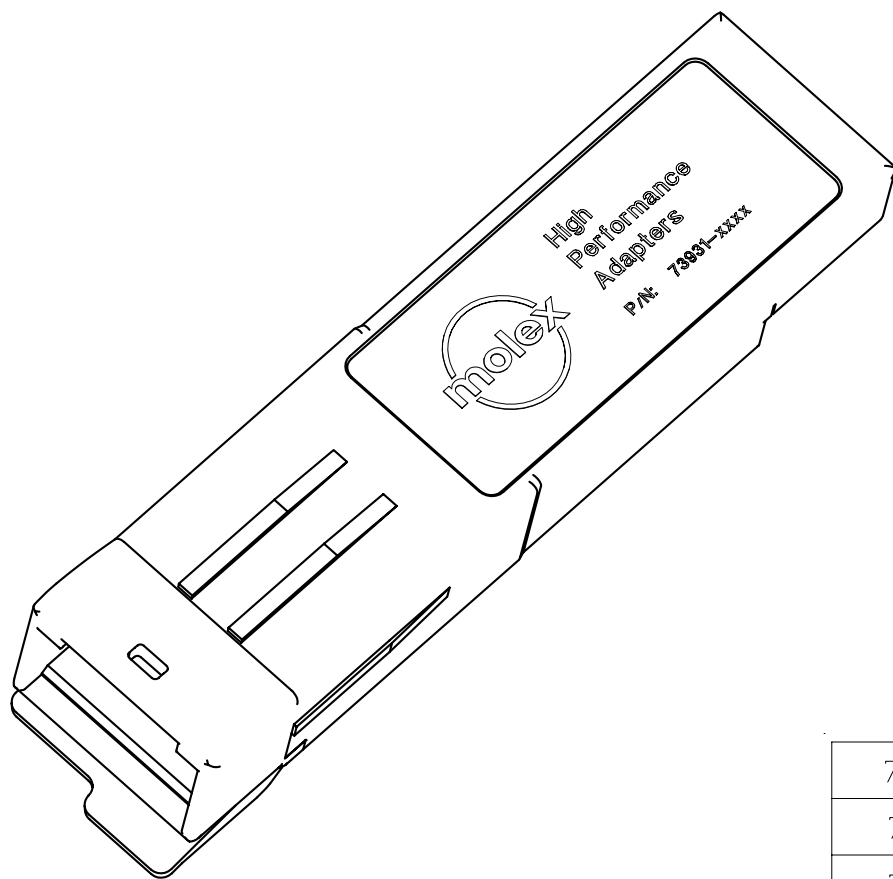
5

4

3

2

74720

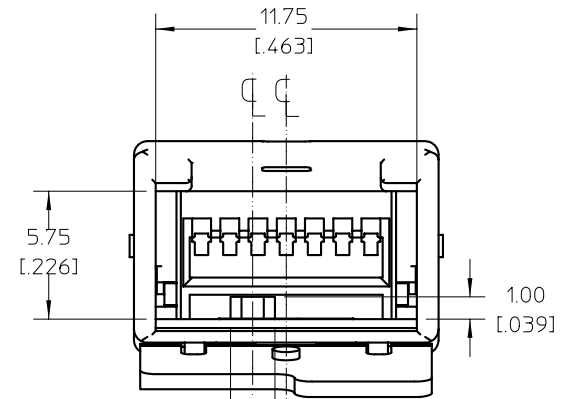
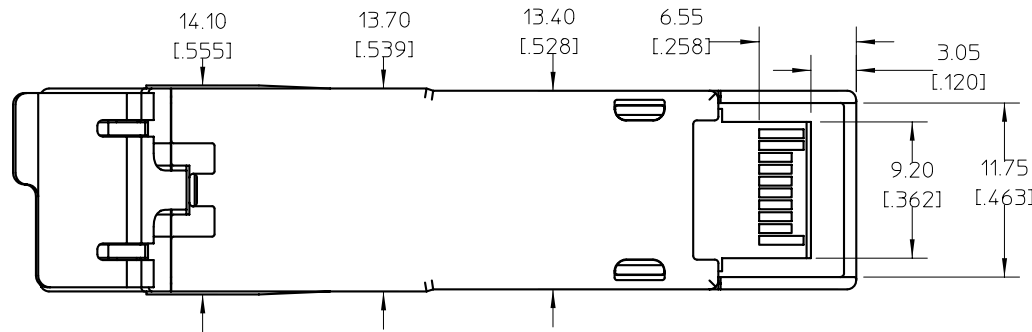
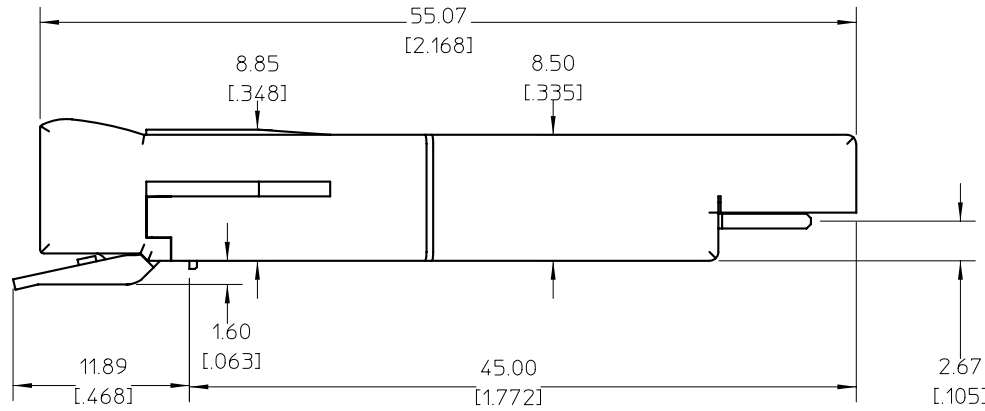


1. Mates to SFP components which comply to standard MSA dimension specifications; accepts plugs conforming to HSSDC2 specs.
2. Robust zinc die cast body, bright tin plated. Mounts belly-to-belly using .093"+ boards.
3. Raised wedges assure electrical contact with surrounding EMI cage assembly.
4. Spring loaded latch releases with simple squeeze, and pull action.
5. Keying and electrical performance meets Infiniband and Fiber Channel callouts.
6. 100 or 150 ohm versions available.
7. Supports serial ID functionality.
8. Up to 2.5 Gb/s data rates.
9. 3.3V or 5V single supply.
10. Hot pluggable.

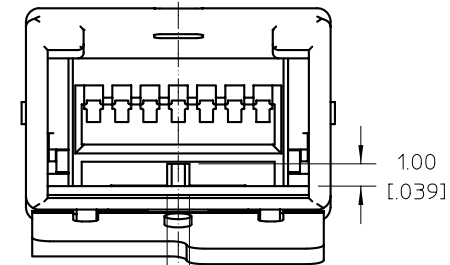
|            |  |
|------------|--|
| 74720-0202 | FIBER CHANNEL KEY, 150 OHM ACTIVE WITH SERIAL ID |
| 74720-0201 | FIBER CHANNEL KEY, 150 OHM ACTIVE W/O SERIAL ID  |
| 74720-0102 | INFINIBAND KEY, 100 OHM ACTIVE WITH SERIAL ID    |
| 74720-0101 | INFINIBAND KEY, 100 OHM ACTIVE W/O SERIAL ID     |

|   |                         |                                       |                       |   |                        |                                 |                    |                           |                              |
|---|-------------------------|---------------------------------------|-----------------------|---|------------------------|---------------------------------|--------------------|---------------------------|------------------------------|
| INITIAL SALES DRAWING<br>EC NO: UDT2001-1462<br>DRWN: DIRKERS 2001/06/15<br>CHKD: DIRKERS 2001/06/15<br>APPR: BRUSSELL 2001/06/19 | QUALITY SYMBOLS<br><br> | GENERAL TOLERANCES (UNLESS SPECIFIED) |                       | SCALE<br>6:1  | DESIGN UNITS<br>METRIC | THIRD ANGLE PROJECTION          | REVISE ON CAD ONLY |                           |                              |
|   |                         |                                       |                       | DIMENSION STYLE<br>MM/IN                                |                        | TITLE<br>ADAPTER, HSSDC2 TO SFP |                    |                           |                              |
|   |                         | 4 PLACES ± --- ± ---                  | 3 PLACES ± --- ± .005 | 2 PLACES ± 0.13 ± ---                                   | 1 PLACE ± --- ± ---    | DRAWN BY<br>DIRKERS             | DATE<br>2001/06/15 | MOLEX INCORPORATED        |                              |
|   |                         | ANGULAR ±1/2°                         |                       | DRAFT WHERE APPLICABLE<br>MUST REMAIN WITHIN DIMENSIONS |                        | CHECKED BY<br>DIRKERS           | DATE<br>2001/06/15 | MATERIAL NO.<br>SEE TABLE | DOCUMENT NO.<br>SD-74720-101 |
| REV   | DESCRIPTION             |                                       |                       | APPROVED BY   | DATE                   | SHEET NO.<br>1 OF 3             |                    |                           |                              |

74720



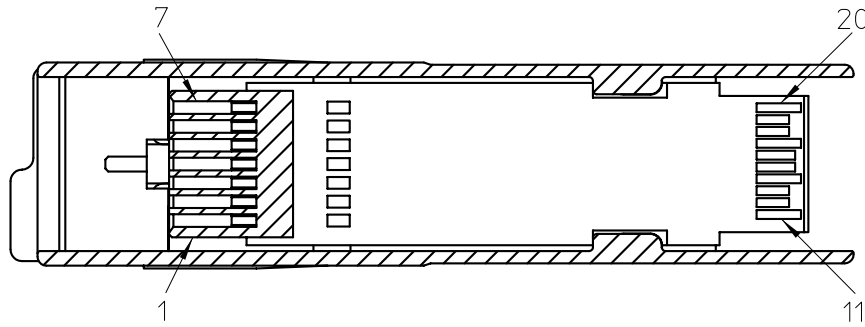
FIBER CHANNEL KEY  
3:1



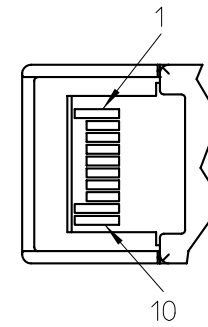
INFINIBAND KEY  
3:1

|   |                                   |                                       |                               |           |   |                        |                              |  |
|---|-----------------------------------|---------------------------------------|-------------------------------|-----------|---|------------------------|------------------------------|--|
| INITIAL SALES DRAWING<br>EC NO: UDT2001-1462<br>DRWN: DIRKERS 2001/06/15<br>CHKD: DIRKERS 2001/06/15<br>APPR: BRUSSELL 2001/06/19 | QUALITY SYMBOLS<br>▽ = 0<br>∇ = 0 | GENERAL TOLERANCES (UNLESS SPECIFIED) |                               | SCALE 6:1 | DESIGN UNITS METRIC   | THIRD ANGLE PROJECTION | REVISE ON CAD ONLY           |  |
|   |                                   |                                       | mm                            | INCH      | DIMENSION STYLE MM/IN   |                        | TITLE ADAPTER, HSSDC2 TO SFP |  |
|   |                                   | 4 PLACES                              | ± ---                         | ± ---     | DRAWN BY DIRKERS  | DATE 2001/06/15        | Molex MOLEX INCORPORATED     |  |
|   |                                   | 3 PLACES                              | ± ---                         | ± .005    | CHECKED BY DIRKERS  | DATE 2001/06/15        |                              |  |
| 2 PLACES  | ± 0.13                            | ± ---                                 | APPROVED BY                   |           | DATE  | MATERIAL NO. SEE TABLE | DOCUMENT NO. SD-74720-101    |  |
| 1 PLACE   | ± ---                             | ± ---                                 | ANGULAR ±1/2°                 |           |   | SHEET NO. 2 OF 3       |                              |  |
| DRAFT WHERE APPLICABLE  |                                   |                                       | MUST REMAIN WITHIN DIMENSIONS |           | THIS DRAWING CONTAINS INFORMATION THAT IS PROPRIETARY TO MOLEX INCORPORATED AND SHOULD NOT BE USED WITHOUT WRITTEN PERMISSION |                        |                              |  |

Top View  
Cutaway



Bottom  
View



FIBER CHANNEL  
WIRING  
OPTION

|   |     |
|---|-----|
| 7 | Gnd |
| 6 | TD- |
| 5 | TD+ |
| 4 | Gnd |
| 3 | RD+ |
| 2 | RD- |
| 1 | Gnd |

INFINIBAND  
WIRING  
OPTION

|   |     |
|---|-----|
| 7 | Gnd |
| 6 | TD+ |
| 5 | TD- |
| 4 | Gnd |
| 3 | RD- |
| 2 | RD+ |
| 1 | Gnd |

|       |    |    |             |
|-------|----|----|-------------|
| Gnd T | 20 | 1  | Gnd T       |
| TD-   | 19 | 2  | Gnd T       |
| TD+   | 18 | 3  | Tx Disable  |
| Gnd T | 17 | 4  | MOD-DEF(2)  |
| VccT  | 16 | 5  | MOD-DEF(1)  |
| VccR  | 15 | 6  | MOD-DEF(0)  |
| Gnd R | 14 | 7  | Rate Select |
| RD+   | 13 | 8  | LOS         |
| RD-   | 12 | 9  | Gnd R       |
| Gnd R | 11 | 10 | Gnd R       |

INITIAL SALES DRAWING  
EC NO: UDT2001-1462  
DRWN: DIRKERS 2001/06/15  
CHKD: DIRKERS 2001/06/15  
APPR: BRUSSELL 2001/06/19

QUALITY SYMBOLS  
  
  
 DESCRIPTION  
 REV

GENERAL TOLERANCES (UNLESS SPECIFIED)

|          | mm     | INCH   |
|----------|--------|--------|
| 4 PLACES | ± ---  | ± ---  |
| 3 PLACES | ± ---  | ± .005 |
| 2 PLACES | ± 0.13 | ± ---  |
| 1 PLACE  | ± ---  | ± ---  |

ANGULAR ±1/2°  
 DRAFT WHERE APPLICABLE  
 MUST REMAIN WITHIN DIMENSIONS

SCALE 2:1  
 DESIGN UNITS METRIC  
 DIMENSION STYLE MM/IN  
 DRAWN BY DIRKERS DATE 2001/06/15  
 CHECKED BY DIRKERS DATE 2001/06/15  
 APPROVED BY DATE

THIRD ANGLE PROJECTION  
 REVISE ON CAD ONLY  
 TITLE ADAPTER, HSSDC2 TO SFP  
 MOLEX INCORPORATED  
 MATERIAL NO. SEE TABLE  
 DOCUMENT NO. SD-74720-101  
 SHEET NO. 3 OF 3  
 THIS DRAWING CONTAINS INFORMATION THAT IS PROPRIETARY TO MOLEX INCORPORATED AND SHOULD NOT BE USED WITHOUT WRITTEN PERMISSION