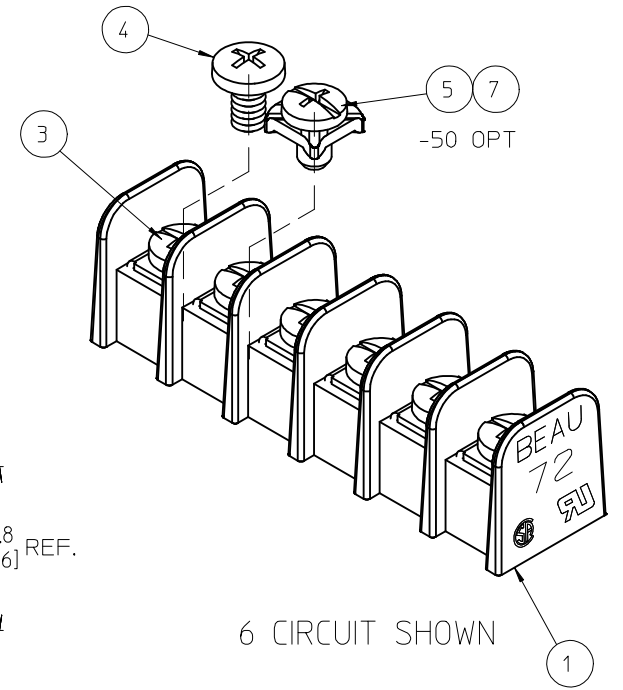
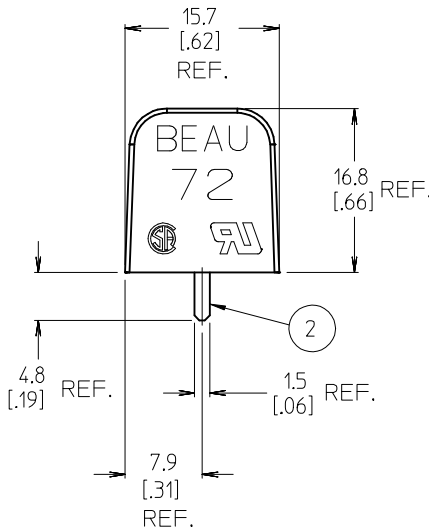
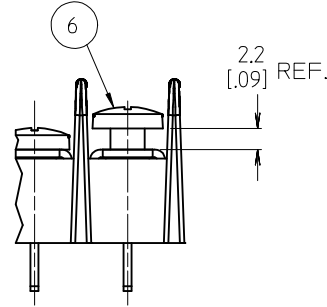


WIRE READY OPT -47



6 CIRCUIT SHOWN

- NOTES:
1. MATERIAL: SEE TABLE
 2. FINISHES: SEE TABLE
 3. ELECTRICAL SPECIFICATIONS
 VOLTAGE RATING: 300V AC/DC
 CURRENT RATING: 15 AMPS (BINDING HD SCREW) REF.
 CURRENT RATING: 25 AMPS (WIRE CLAMP SCREW -50 OPT)
 4. WIRE RANGE: 14-22 AWG FOR BINDING HD., 12-22 AWG FOR -50 OPT
 5. SCREW TIGHTENING TORQUE: 12 IN LBS.
 6. WIRE STRIP: 7.9mm (.31 IN)
 7. OPERATING TEMP: -40°C TO +100°C
 4. PRODUCT SPEC: PS-38710-001
 5. XX REFERS TO NUMBER OF CIRCUITS

Ⓑ REF. THIS DRAWING SUPERSEDES CADKEY DOC SD-38720-002, REV-A

| ITEM | QTY | DESCRIPTION | MATERIAL | FINISH |
|------|-----|---|----------|--------------------|
| 7 | XX | 6-32 PHSL SCR W/WSHR, NOKROM (-50-92 OPT) | STEEL | ZINC/NOKROM PLATED |
| 6 | XX | 6-32 BHD PHIL-SLOT SCR, WRD (-47 OPTION) | BRASS | NICKEL PLATED |
| 5 | XX | 6-32 PHSL SCR W/WSHR (-50 OPTION) | STEEL | ZINC PLATED |
| 4 | XX | 6-32 BHD PHIL-SLOTTED SCREW (-49 OPTION) | BRASS | NICKEL PLATED |
| 3 | XX | 6-32 SCREW PHIL.-SLOTTED (STANDARD) | STEEL | ZINC PLATED |
| 2 | XX | TERMINAL | BRASS | TIN PLATED |
| 1 | 1 | BARRIER | PBT | BLACK |

REDRAWN & REVISED
 SEE SHEET 2
 EC NO: IPGZ016-0979
 DRW:HRSTONE 2016/01/11
 CHKD:MZIELINSKI 2016/01/14
 APPR:BRUPERT 2016/01/13

QUALITY SYMBOLS
 ▽=0
 ▽=0

| GENERAL TOLERANCES (UNLESS SPECIFIED) | |
|---------------------------------------|-------|
| mm | INCH |
| 4 PLACES | ± .01 |
| 3 PLACES | ± .01 |
| 2 PLACES | ± .01 |
| 1 PLACE | ± 0.3 |
| 0 PLACE | ± .01 |

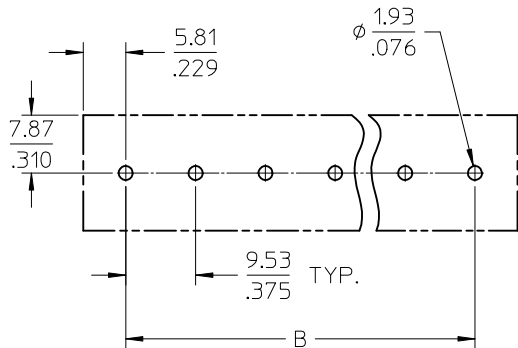
ANGULAR ± 1°
 DRAFT WHERE APPLICABLE
 MUST REMAIN WITHIN DIMENSIONS

| DIMENSION STYLE | |
|-----------------|------------|
| MM/IN | |
| DRAWN BY | DATE |
| RSTONE | 2016/01/11 |
| CHECKED BY | DATE |
| MZIELINSKI | 2016/01/14 |
| APPROVED BY | DATE |
| BRUPERT | 2016/01/13 |

| SCALE | DESIGN UNITS | THIRD ANGLE PROJECTION |
|--|--------------|------------------------|
| 1:10 | INCH | ⊙ □ |
| 9.53MM [0.375] SR BTS PC ASSY, NO MTG | | |
| molex | | |
| MATERIAL NO. | DOCUMENT NO. | SHEET NO. |
| SEE SHEET 2 | SD-38720-002 | 1 OF 2 |

| MATERIAL NO. (OPT -C,-50-92) | MATERIAL NO. (OPT -C,-47) | MATERIAL NO. (OPT -C,-50) | MATERIAL NO. (OPT -C,-49) | MATERIAL NO. (OPT -C) | MATERIAL NO. (INSULATOR) | NUMBER OF CIRCUITS "XX" | DIM. TOL "A" 0.25/[±.010] | | DIM. "B" | |
|---------------------------------|------------------------------|------------------------------|------------------------------|--------------------------|-----------------------------|----------------------------|------------------------------|--------|-------------|---------|
| | 38720-8102 | 38720-7502 | 38720-6902 | 38720-6302 | 38728-0035 | 02 | 21.1 | [.83] | 9.53 | [.375] |
| 38729-1348 | 38720-8103 | 38720-7503 | 38720-6903 | 38720-6303 | 38728-0036 | 03 | 30.7 | [1.21] | 19.05 | [.750] |
| 38729-1349 | 38720-8104 | 38720-7504 | 38720-6904 | 38720-6304 | 38728-0037 | 04 | 40.1 | [1.58] | 28.58 | [1.125] |
| 38729-1350 | 38720-8105 | 38720-7505 | 38720-6905 | 38720-6305 | 38728-0038 | 05 | 49.8 | [1.96] | 38.10 | [1.500] |
| | 38720-8106 | 38720-7506 | 38720-6906 | 38720-6306 | 38728-0039 | 06 | 59.2 | [2.33] | 47.63 | [1.875] |
| | 38720-8107 | 38720-7507 | 38720-6907 | 38720-6307 | 38728-0040 | 07 | 68.8 | [2.71] | 57.15 | [2.250] |
| | 38720-8108 | 38720-7508 | 38720-6908 | 38720-6308 | 38728-0041 | 08 | 78.3 | [3.08] | 66.68 | [2.625] |
| | 38720-8109 | 38720-7509 | 38720-6909 | 38720-6309 | 38728-0042 | 09 | 87.8 | [3.46] | 76.20 | [3.000] |
| | 38720-8110 | 38720-7510 | 38720-6910 | 38720-6310 | 38728-0043 | 10 | 97.3 | [3.83] | 85.73 | [3.375] |
| 38729-1495 | 38720-8111 | 38720-7511 | 38720-6911 | 38720-6311 | 38728-0044 | 11 | 106.9 | [4.21] | 95.25 | [3.750] |
| 38729-1351 | 38720-8112 | 38720-7512 | 38720-6912 | 38720-6312 | 38728-0045 | 12 | 116.3 | [4.58] | 104.78 | [4.125] |
| | 38720-8113 | 38720-7513 | 38720-6913 | 38720-6313 | 38728-0046 | 13 | 126.0 | [4.96] | 114.30 | [4.500] |
| 38729-1346 | 38720-8114 | 38720-7514 | 38720-6914 | 38720-6314 | 38728-0047 | 14 | 135.3 | [5.33] | 123.83 | [4.875] |
| 38729-1352 | 38720-8115 | 38720-7515 | 38720-6915 | 38720-6315 | 38728-0048 | 15 | 145.0 | [5.71] | 133.35 | [5.250] |
| 38729-1353 | 38720-8116 | 38720-7516 | 38720-6916 | 38720-6316 | 38728-0049 | 16 | 154.4 | [6.08] | 142.88 | [5.625] |
| | 38720-8117 | 38720-7517 | 38720-6917 | 38720-6317 | 38728-0050 | 17 | 164.1 | [6.46] | 152.40 | [6.000] |
| | 38720-8118 | 38720-7518 | 38720-6918 | 38720-6318 | 38728-0051 | 18 | 173.5 | [6.83] | 161.93 | [6.375] |
| | 38720-8119 | 38720-7519 | 38720-6919 | 38720-6319 | 38728-0052 | 19 | 183.1 | [7.21] | 171.45 | [6.750] |
| | 38720-8120 | 38720-7520 | 38720-6920 | 38720-6320 | 38728-0053 | 20 | 192.5 | [7.58] | 180.98 | [7.125] |
| 38729-1347 | 38720-8121 | 38720-7521 | 38720-6921 | 38720-6321 | 38728-0054 | 21 | 202.2 | [7.96] | 190.50 | [7.500] |
| | 38720-8122 | 38720-7522 | 38720-6922 | 38720-6322 | 38728-0055 | 22 | 211.6 | [8.33] | 200.03 | [7.875] |
| | 38720-8123 | 38720-7523 | 38720-6923 | 38720-6323 | 38728-0056 | 23 | 221.2 | [8.71] | 209.55 | [8.250] |
| | 38720-8124 | 38720-7524 | 38720-6924 | 38720-6324 | 38728-0057 | 24 | 230.6 | [9.08] | 219.08 | [8.625] |
| | 38720-8125 | 38720-7525 | 38720-6925 | 38720-6325 | 38728-0058 | 25 | 240.3 | [9.46] | 228.60 | [9.000] |
| | 38720-8126 | 38720-7526 | 38720-6926 | 38720-6326 | 38728-0059 | 26 | 249.6 | [9.83] | 238.13 | [9.375] |

PTH PATTERN



| ADD PINS TO TABLE ELEC MFG DOC: 2016/01/11 DRWNR:RSTONE 2016/01/11 CHKD:MZIELNSKI 2016/01/14 APPR:BRUPERT 2016/01/13 B | QUALITY SYMBOLS ▽=0 ▽=0 | GENERAL TOLERANCES (UNLESS SPECIFIED) <table border="1"> <thead> <tr> <th></th> <th>mm</th> <th>INCH</th> </tr> </thead> <tbody> <tr><td>4 PLACES</td><td>± ---</td><td>± ---</td></tr> <tr><td>3 PLACES</td><td>± ---</td><td>± ---</td></tr> <tr><td>2 PLACES</td><td>± ---</td><td>± .01</td></tr> <tr><td>1 PLACE</td><td>± 0.3</td><td>± ---</td></tr> <tr><td>0 PLACE</td><td>± ---</td><td>± ---</td></tr> </tbody> </table> | | mm | INCH | 4 PLACES | ± --- | ± --- | 3 PLACES | ± --- | ± --- | 2 PLACES | ± --- | ± .01 | 1 PLACE | ± 0.3 | ± --- | 0 PLACE | ± --- | ± --- | DIMENSION STYLE MM/IN DRAWN BY: RSTONE DATE: 2016/01/11 CHECKED BY: MZIELNSKI DATE: 2016/01/14 APPROVED BY: BRUPERT DATE: 2016/01/13 | SCALE 1:1 DESIGN UNITS INCH THIRD ANGLE PROJECTION | TITLE 9.53MM [.375] SR BTS PC ASSY, NO MTG |
|--|-------------------------------|--|----------------------------|----|------|----------|-------|-------|----------|-------|-------|----------|-------|-------|---------|-------|-------|---------|-------|-------|---|--|--|
| | | mm | INCH | | | | | | | | | | | | | | | | | | | | |
| | 4 PLACES | ± --- | ± --- | | | | | | | | | | | | | | | | | | | | |
| | 3 PLACES | ± --- | ± --- | | | | | | | | | | | | | | | | | | | | |
| 2 PLACES | ± --- | ± .01 | | | | | | | | | | | | | | | | | | | | | |
| 1 PLACE | ± 0.3 | ± --- | | | | | | | | | | | | | | | | | | | | | |
| 0 PLACE | ± --- | ± --- | | | | | | | | | | | | | | | | | | | | | |
| ANGULAR ± 1 ° DRAFT WHERE APPLICABLE MUST REMAIN WITHIN DIMENSIONS | | MATERIAL NO. - DOCUMENT NO. SD-38720-002 | SHEET NO. 2 OF 2 | | | | | | | | | | | | | | | | | | | | |
| THIS DRAWING CONTAINS INFORMATION THAT IS PROPRIETARY TO MOLEX INCORPORATED AND SHOULD NOT BE USED WITHOUT WRITTEN PERMISSION | | | | | | | | | | | | | | | | | | | | | | | |