

MATERIALS AND FINISHES

BODY ZINC ALLOY  
PLATED NICKEL

CENTER CONTACT PHOSPHOR BRONZE  
PLATED GOLD

INSULATOR POLYPROPYLENE (94 V-2)

HOUSING VALOX 420-SEO  
COLOR BLACK

SOLDER TAIL COPPER OVER STEEL WIRE  
PLATED TIN

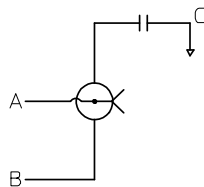
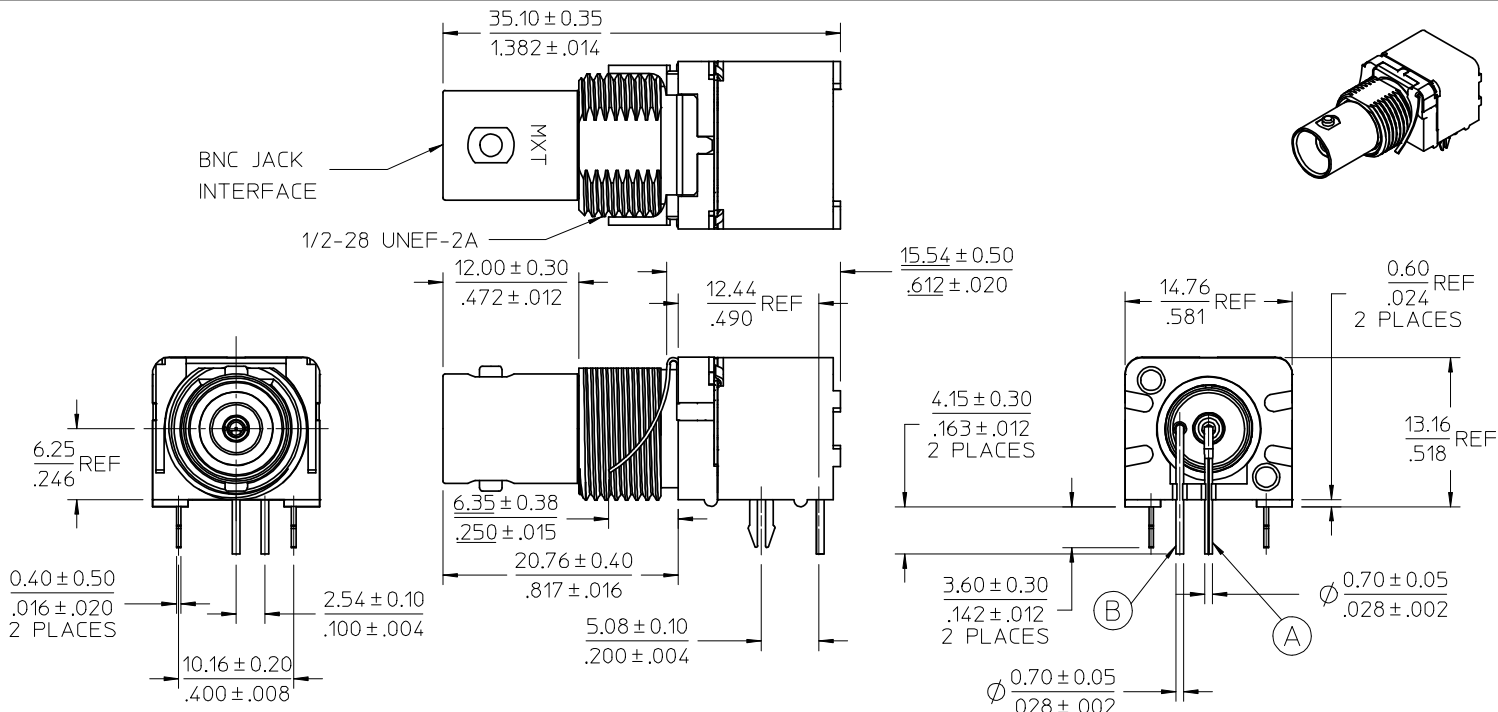
FRONT CLIP PHOSPHOR BRONZE  
PLATED NICKEL

CHIP CAPACITOR MULTILAYER CERAMIC

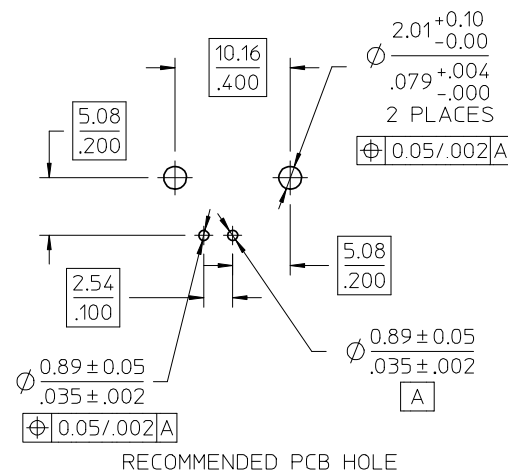
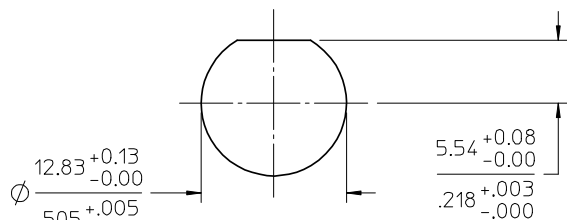
BOARD CLIP PHOSPHOR BRONZE  
PLATED TIN

BNC JACK  
INTERFACE

1/2-28 UNEF-2A



SCHEMATIC  
9400 ± 20% PF, 1.5 KV W V<sub>dc</sub>



ES-73599-0000	INTERFACE
PS-73598-0010	ELECTRO/MECH PERFORM.
SPECIFICATION	DESCRIPTION

73171-3030	73100-0090, ONE PER BAG
73100-0090	TRAY
PART NO.	PACKAGING

CHG: ADDED 94 V-2  
TO MATERIALS  
,217 PANEL WAS 2.17

EC NO: URF2008-0413  
2008/02/08  
DRW: WIENER  
2008/02/08  
CHKD: SHAH  
2008/02/11  
APPR: WIENER  
2008/02/11

QUALITY SYMBOLS  
▽=0  
▽=0

GENERAL TOLERANCES (UNLESS SPECIFIED)

	mm	INCH
4 PLACES	± .005	± .0004
3 PLACES	± .005	± .0004
2 PLACES	± .005	± .0004
1 PLACE	± .005	± .0004

ANGULAR ± 2 °

DRAFT WHERE APPLICABLE  
MUST REMAIN  
WITHIN DIMENSIONS

DIMENSION STYLE  
MM/IN

DRAWN BY  
ROGER  
DATE  
1994/10/13

CHECKED BY  
WANG  
DATE  
1994/10/19

APPROVED BY  
MISEN  
DATE  
1994/10/23

MATERIAL NO.  
SEE TABLE

SIZE  
C

SCALE  
DESIGN UNITS  
METRIC

THIRD ANGLE  
PROJECTION

TITLE  
BNC JACK, R/A RECEPTACLE  
50 OHMS FILTER  
BNC-J/PCB/RA/BK

MOLEX INCORPORATED

DOCUMENT NO.  
SD-73100-0090

SHEET NO.  
1 OF 1

THIS DRAWING CONTAINS INFORMATION THAT IS PROPRIETARY TO MOLEX INCORPORATED AND SHOULD NOT BE USED WITHOUT WRITTEN PERMISSION