

MATERIALS AND FINISHES

BODY ZINC ALLOY
PLATED NICKEL 70 MICROINCHES MIN

CENTER CONTACT PHOSPHOR BRONZE
PLATED GOLD 8 MICROINCHES MIN

INSULATOR POLYPROPYLENE

HOUSING VALOX 420-SEO BLACK

SOLDER TAIL COPPER OVER STEEL WIRE
PLATED TIN 200 MICROINCHES MIN

BOARD LOCK CLIP PHOSPHOR BRONZE
PLATED TIN 150 MICROINCHES MIN

FRONT CLIP PHOSPHOR BRONZE
PLATED NICKEL 70 MICROINCHES MIN

CHIP CAPACITOR MULTILAYER CERAMIC

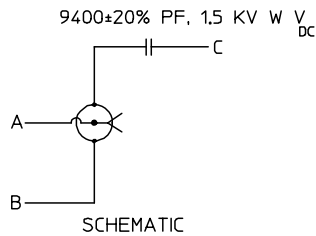
NUT BRASS
PLATED NICKEL 70 MICROINCHES MIN

WASHER PHOSPHOR BRONZE
PLATED NICKEL 70 MICROINCHES MIN

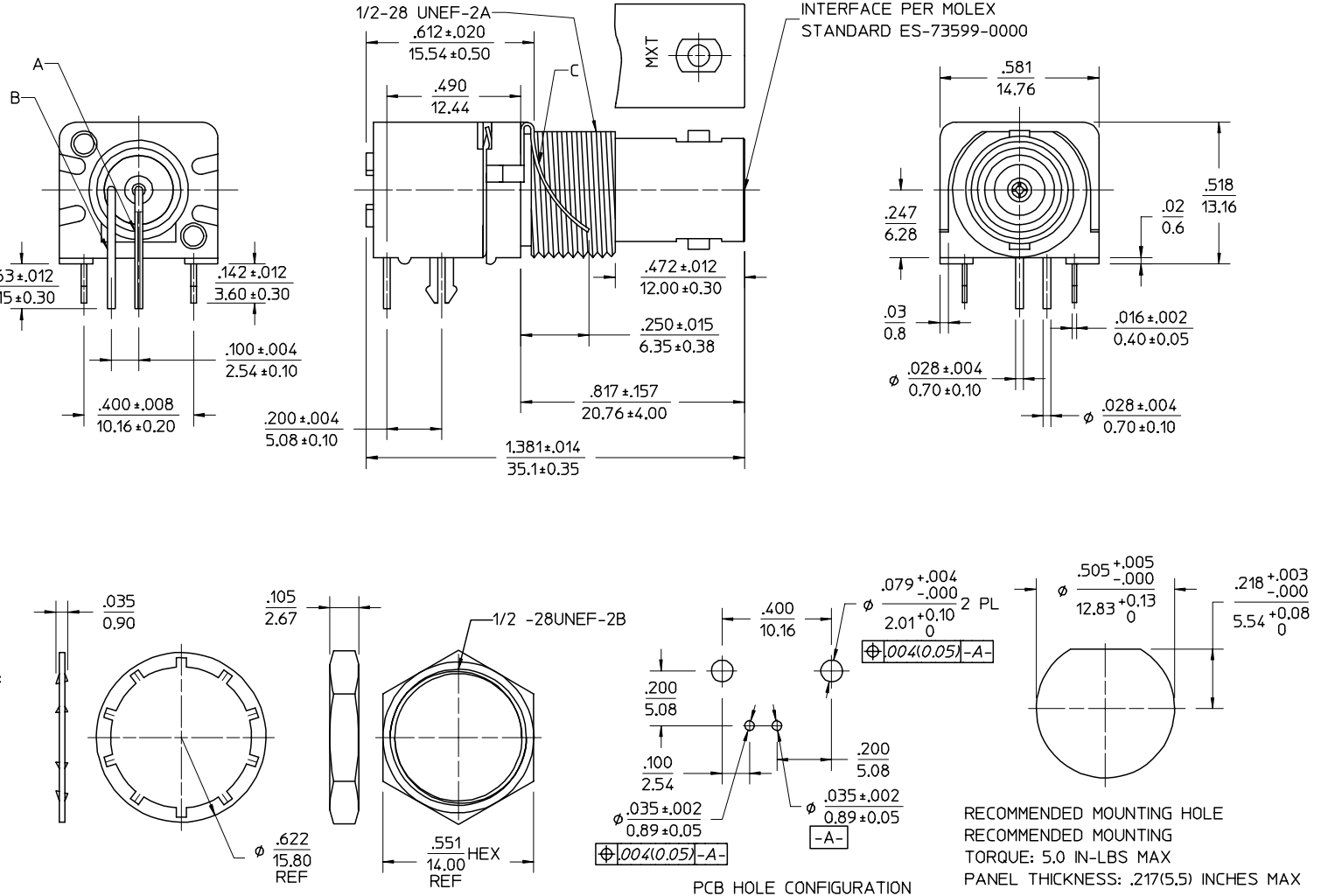
MECHANICAL & ELECTRICAL CHARACTERISTICS:
PER PS-73598-0010

PACKAGING:
TRAY PACKAGING

PART # 73100-0162



SCHEMATIC



PCB HOLE CONFIGURATION

RECOMMENDED MOUNTING HOLE
RECOMMENDED MOUNTING
TORQUE: 5.0 IN-LBS MAX
PANEL THICKNESS: .217(5,5) INCHES MAX

CHG: DIM 0.7±0.1WAS ±0.05	QUALITY SYMBOLS ▽=0 ▽=0	GENERAL TOLERANCES (UNLESS SPECIFIED)		DIMENSION STYLE IN/MM		SCALE ---	DESIGN UNITS METRIC	THIRD ANGLE PROJECTION	
		4 PLACES ± ---	± ---	DRAWN BY ROGER	DATE 1994/10/13	TITLE 50 OHM FILTER BNC R/A PCB RECEPTACLE BNC-PCB/RA/BK			
EC NO: URF2005-0059	DESCRIPTION REV	3 PLACES ± ---	± ---	CHECKED BY WANG	DATE 1994/10/18	MOLEX INCORPORATED			
DRWN: CLLI 2004/10/04		2 PLACES ± 0.25	± ---	APPROVED BY MIESN	DATE 1994/10/23	DOCUMENT NO. SD-73100-0162		SHEET NO. 1 OF 1	
CHKD: 2004/10/04		1 PLACE ± 0.25	± ---	MATERIAL NO. 73100-0162		THIS DRAWING CONTAINS INFORMATION THAT IS PROPRIETARY TO MOLEX INCORPORATED AND SHOULD NOT BE USED WITHOUT WRITTEN PERMISSION			
APPR: MIUANG 2004/10/06		ANGULAR ± 3 °		SIZE A3					
		DRAFT WHERE APPLICABLE MUST REMAIN WITHIN DIMENSIONS							