

MATERIALS AND FINISHES

BODY ZINC ALLOY
PLATED NICKEL 70MIN. MICROINCH Δ

CENTER CONTACT PHOSPHOR BRONZE
PLATED GOLD 1MIN. MICROINCH
/TIN 150MIN. MICROINCH Δ

INSULATOR POLYPROPYLENE

HOUSING PBT
COLOR WHITE

MOUNTING POST BRASS
PLATED TIN 150MIN. MICROINCH Δ

PACKAGING: TRAY

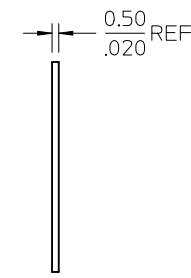
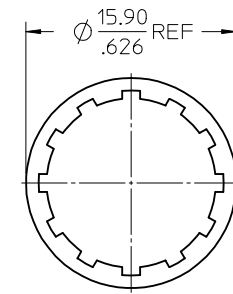
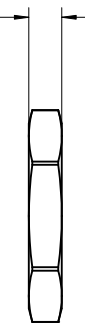
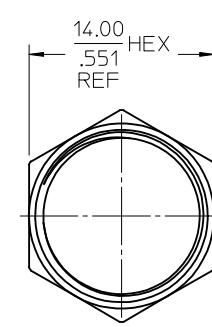
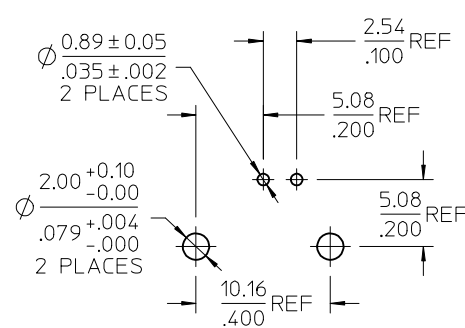
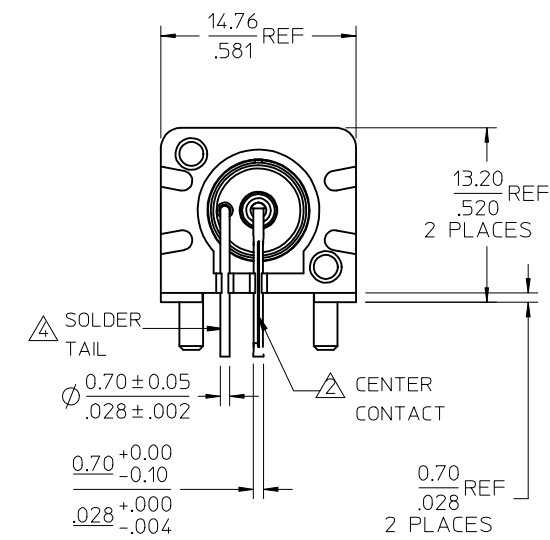
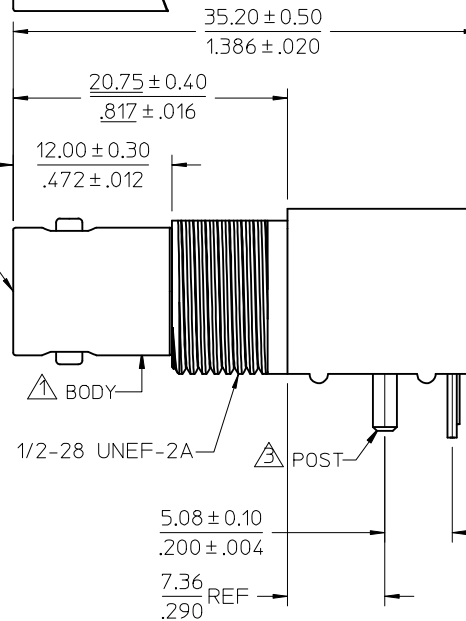
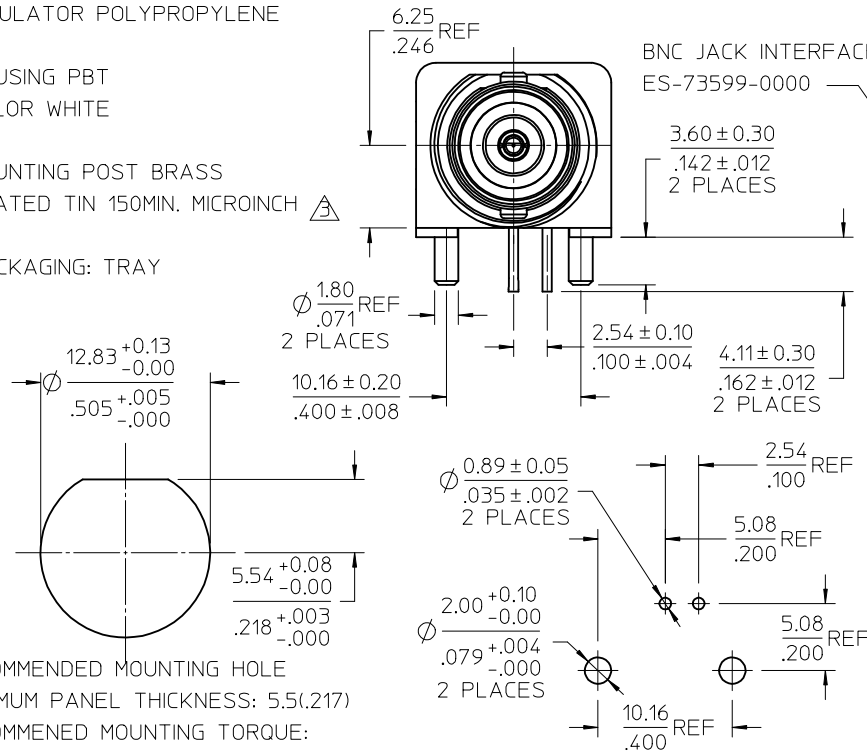
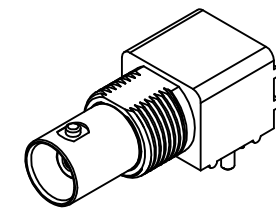
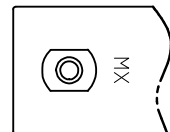
SOLDER TAIL STEEL WIRE
PLATED TIN 150MIN. MICROINCH Δ

LOCKWASHER PHOSPHOR BRONZE
PLATED NICKEL

JAM NUT BRASS
PLATED NICKEL

BNC JACK INTERFACE
ES-73599-0000

3.60 ± 0.30
.142 ± .012
2 PLACES



RECOMMENDED MOUNTING HOLE
MAXIMUM PANEL THICKNESS: 5.5(.217)
RECOMMENDED MOUNTING TORQUE:
0.56 N-m(5 IN-LBS)

RECOMMENDED PCB LAYOUT

PART # 73137-5013

JAM NUT

LOCKWASHER

PS-73598-0050	ELECTRO/MECH PERFORM.
SPECIFICATION	DESCRIPTION

CHG ADD PLATING THICKNESS	EC NO: URF2009-0391 2009/02/10 DRWNS:CHOU CHKD: 2009/02/12 APPR:MHUANG 2009/02/12	QUALITY SYMBOLS ▽=0 ▽=0	GENERAL TOLERANCES (UNLESS SPECIFIED)		DIMENSION STYLE	SCALE	DESIGN UNITS	THIRD ANGLE PROJECTION
			mm	INCH	MM/IN	METRIC		
			4 PLACES ± --- ± ---		DRAWN BY IRIS WANG	DATE 1991/01/21	BNC JACK, R/A, PCB 50 OHMS, EWR-3635 BNC-J/BLK/PCB	SHEET NO. 1 OF 1
			3 PLACES ± --- ± ---		CHECKED BY	DATE		
			2 PLACES ± --- ± ---		CHRIS WANG	1995/10/18	MOLEX INCORPORATED	DOCUMENT NO. SD-73137-5013
			1 PLACE ± --- ± ---		APPROVED BY R FIELDS	DATE 1999/10/22		
			ANGULAR ± 2 °		MATERIAL NO. 731375013			
DRAFT WHERE APPLICABLE MUST REMAIN WITHIN DIMENSIONS			SIZE C		THIS DRAWING CONTAINS INFORMATION THAT IS PROPRIETARY TO MOLEX INCORPORATED AND SHOULD NOT BE USED WITHOUT WRITTEN PERMISSION			