

MATERIALS AND FINISH

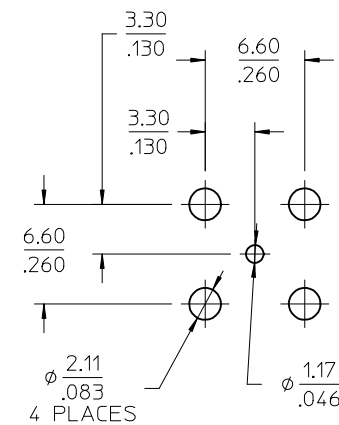
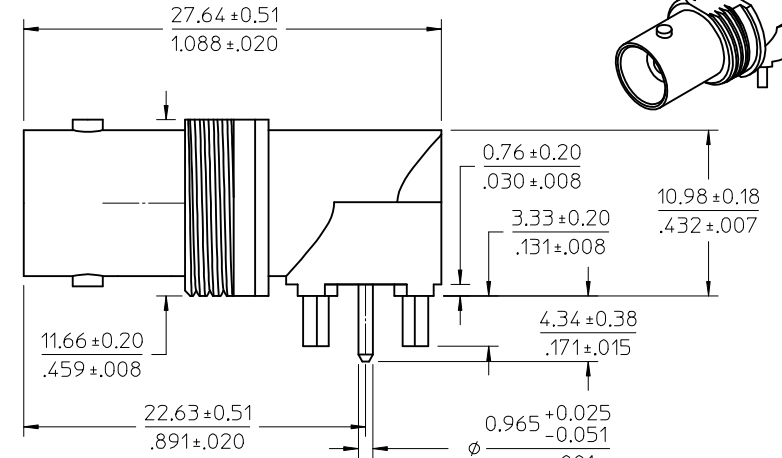
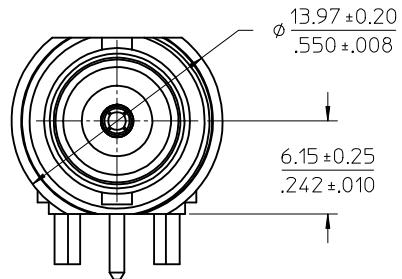
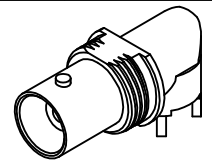
BODY: ZINC ALLOY  
PLATED: SEE TABLE

CENTER CONTACT: PHOSPHOR BRONZE  
PLATED: GOLD

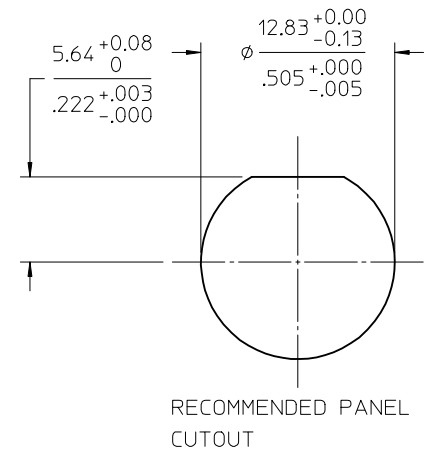
INSULATOR: TEFLON

JAM NUT: BRASS  
PLATED: NICKEL

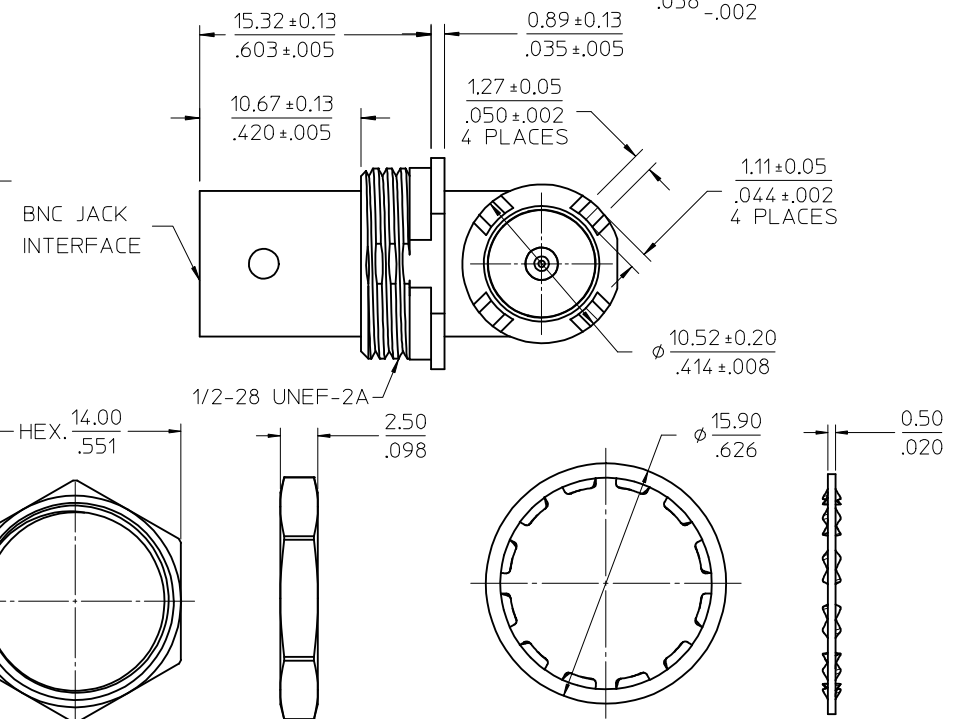
LOCK WASHER: PHOSPHOR BRONZE  
PLATED NICKEL



RECOMMENDED PCB HOLE PATTERN



RECOMMENDED PANEL CUTOUT



73171-1362	INCLUDED	NICKEL
73171-1361	INCLUDED	TIN
73171-1360	NOT INCLUDED	TIN
PART NO.	WASHER/NUT	BODY PLATING

PS-89675-1030	ELEC/MECH PERFORMANCE
MIL-STD-348A, FIG. 301.2	INTERFACE
SPECIFICATION	DESCRIPTION

CHG: ADDED PS EC NO: URF2014-0263 DRW/CWE102 2013/10/31 CHKD: APPR:MHUANG 2013/11/15	QUALITY SYMBOLS	GENERAL TOLERANCES (UNLESS SPECIFIED)	DIMENSION STYLE	SCALE	DESIGN UNITS	THIRD ANGLE PROJECTION
	▽=0 ▽=0	mm INCH 4 PLACES ± --- ± --- 3 PLACES ± --- ± --- 2 PLACES ± --- ± --- 1 PLACE ± --- ± --- ANGULAR ± 2 °	MM/IN	DRAWN BY DATE TEF 2000/08/29 CHECKED BY DATE SSS 2000/08/29 APPROVED BY DATE GMH 2000/08/29	METRIC	BNC JACK, R/A, PCB 50 OHMS, BULKHEAD BNC-J/PCB MOLEX INCORPORATED
	DRAFT WHERE APPLICABLE MUST REMAIN WITHIN DIMENSIONS	MATERIAL NO. SEE TABLE SIZE C	DOCUMENT NO. SD-73171-136 SHEET NO. 1 OF 1			
	THIS DRAWING CONTAINS INFORMATION THAT IS PROPRIETARY TO MOLEX INCORPORATED AND SHOULD NOT BE USED WITHOUT WRITTEN PERMISSION					