

NOTES

1. MATERIAL:

- CAGE: NICKEL SILVER, THICKNESS: 0.25mm
- CONNECTOR HOUSING: GLASS FILLED LIQUID CRYSTAL POLYMER (LCP), UL 94V-0, COLOR: BLACK
- OVERMOLD TERMINAL HOUSING: GLASS FILLED LIQUID CRYSTAL POLYMER (LCP), UL 94V-0, COLOR: BLACK
- TERMINALS: TIN BRASS
- EMI GASKET: CONDUCTIVE ELASTOMER
- LIGHTPIPE HOUSING: ZINC
- LIGHTPIPES: POLYCARBONATE, COLOR: CLEAR

2. FINISHES:

- TERMINALS: CONTACT AREA: 0.76 MICROMETERS MINIMUM HARD GOLD OVER 1.27 MICROMETERS MINIMUM NICKEL.
- COMPLIANT TAIL - MATTE TIN/LEAD OPTION: 0.76 TO 1.52 MICROMETERS 90/10 MATTE TIN-LEAD OVER 0.76 MICROMETERS MINIMUM NICKEL.
- COMPLIANT TAIL - MATTE TIN OPTION: 0.76 TO 1.52 MICROMETERS MATTE TIN OVER 0.76 MICROMETERS MINIMUM NICKEL.
- LIGHTPIPE HOUSING: 80 MICROMETERS MINIMUM NICKEL OVER COPPER

- 3. REFER TO PS-75310-001 PROTECT SPEC FOR ALL ELECTRICAL, MECHANICAL, AND ENVIRONMENTAL SPECIFICATIONS.
- 4. LIGHT PIPE PAD LAYOUT IS FOR 0805 LOW-PROFILE LED PACKAGE, FOR OTHER RECOMMENDED LAYOUTS REFER TO MOLEX'S REPORT TS-75310-001.
- 5. REFER TO PK-75714-001 FOR ALL PACKAGING SPECIFICATIONS.
- 6. ALL EXTERIOR SURFACES TO BE A CLASS "B" SURFACE EXCEPT THE UNDER SIDE OF THE CAGE WHERE THE PCB WOULD BE LOCATED AND AS NOTED. THE SURFACES TO CONFORM TO THE MOLEX COSMETIC DOC PS-45499-002.
- 7. REFER TO AS-76090-001 FOR HIGH SPEED ROUTING RECOMMENDATIONS.
- 8. DATE CODE LOCATION IS SHOWN ABOVE.

DATE CODE FORMAT: DDDY MX A1

DDD = DAY OF THE YEAR

Y = YEAR

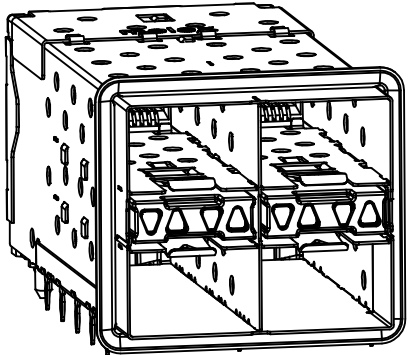
MX = MOLEX

A = ALPHA CHARACTER - INDICATES MANUFACTURING LINE

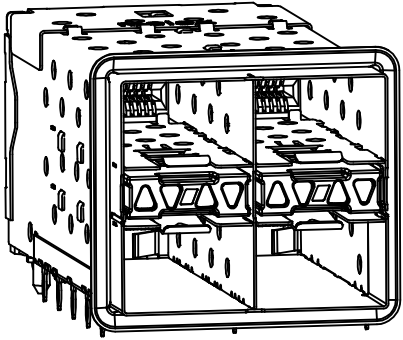
1 = NUMERIC CHARACTER - INDICATES PRODUCTION SHIFT

PART NUMBER	LIGHT PIPE CONFIGURATION SEE SHEET 2	COMPLIANT TAIL PLATING	CAGE PLATING
760910001	4 LIGHT PORTS	MATTE TIN / LEAD	N/A
760910002	INNER 2 PORTS	MATTE TIN / LEAD	N/A
760910003	OUTER 2 PORTS	MATTE TIN / LEAD	N/A
760915001	4 LIGHT PORTS	MATTE TIN	N/A
760915002	INNER 2 PORTS	MATTE TIN	N/A
760915003	OUTER 2 PORTS	MATTE TIN	N/A
760915005	4 LIGHT PORTS - SPECIAL CONFIGURATION	MATTE TIN	N/A

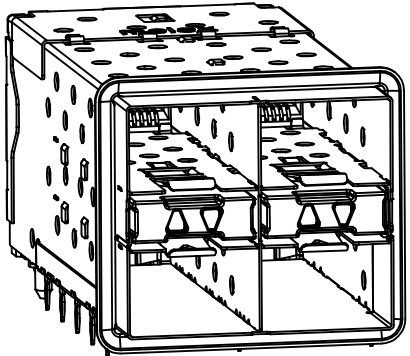
ADD -5005 EC NO: UCP2015-0336 DRWN:BBARKER 2014/07/24 CHKD:TBARRA 2014/12/04 APPR:SMILLER 2014/12/16 REV DESCRIPTION	QUALITY SYMBOLS	GENERAL TOLERANCES (UNLESS SPECIFIED)	DIMENSION STYLE MM ONLY	SCALE 3:1	DESIGN UNITS METRIC	THIRD ANGLE PROJECTION
	▽=0	4 PLACES ± --- ± ---	DRAWN BY DATE JJANTELEZ10 01-18-2007	TITLE STACKED SFP+ 2X2 ASSY WITH ELASTOMERIC GASKET AND LIGHTPIPES	DOCUMENT NO. SD-76091-001	SHEET NO. 1 OF 4
	▽=0	3 PLACES ± --- ± ---	CHECKED BY DATE MSANDBERG 01-18-2007			
	▽=0	2 PLACES ± 0.13 ± ---	APPROVED BY DATE RNELSON 01-18-2007	MOLEX INCORPORATED		
▽=0	1 PLACE ± 0.25 ± ---	MATERIAL NO. SEE TABLE				
DRAFT WHERE APPLICABLE MUST REMAIN WITHIN DIMENSIONS		THIS DRAWING CONTAINS INFORMATION THAT IS PROPRIETARY TO MOLEX INCORPORATED AND SHOULD NOT BE USED WITHOUT WRITTEN PERMISSION				



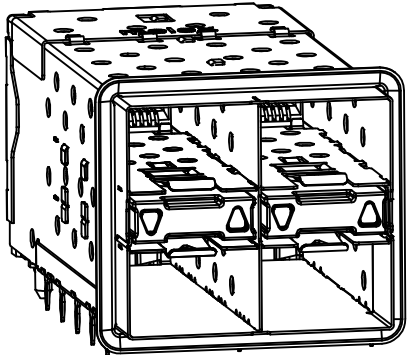
760910001 & 760915001
WITH INNER & OUTER LIGHTPIPE PORTS



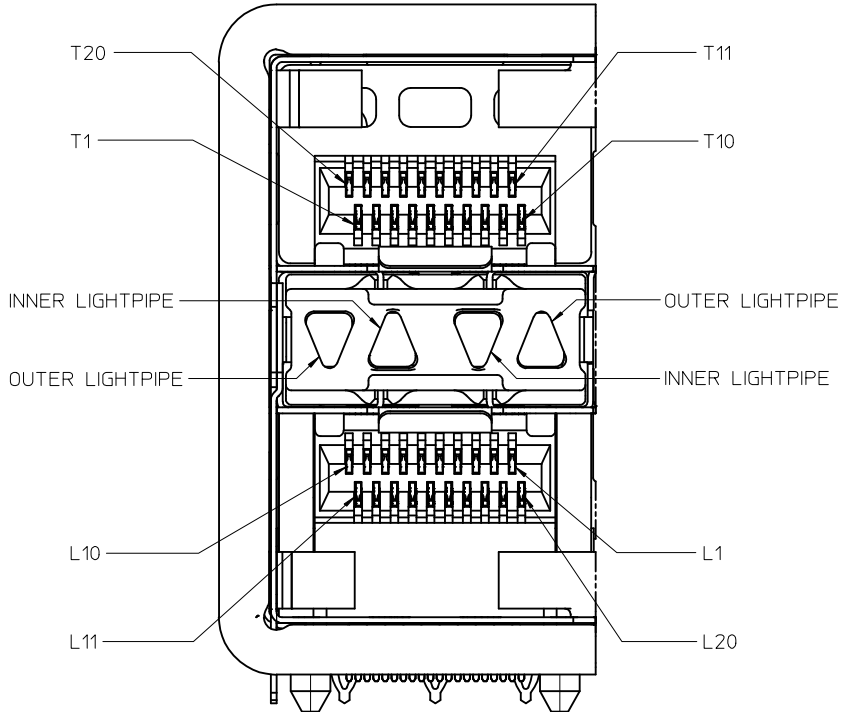
760915005
WITH INNER & OUTER LIGHTPIPE PORTS
SPECIAL CONFIGURATION



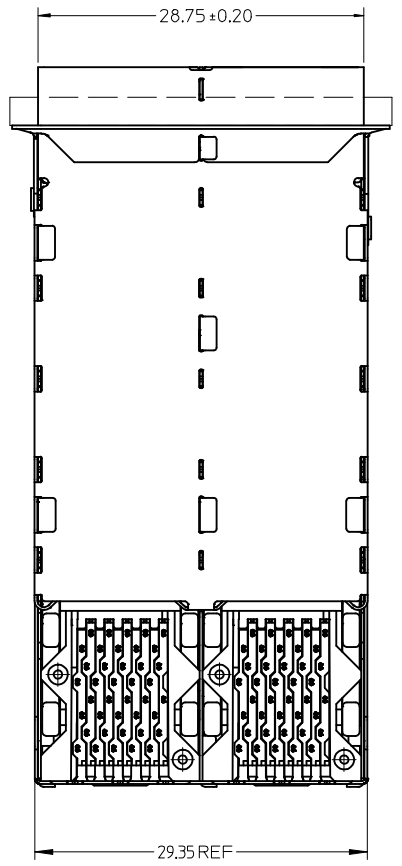
760910002 & 760915002
WITH INNER LIGHTPIPE PORTS



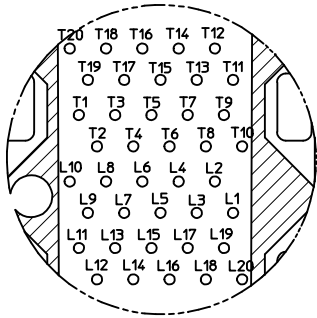
760910003 & 760915003
WITH OUTER LIGHTPIPE PORTS



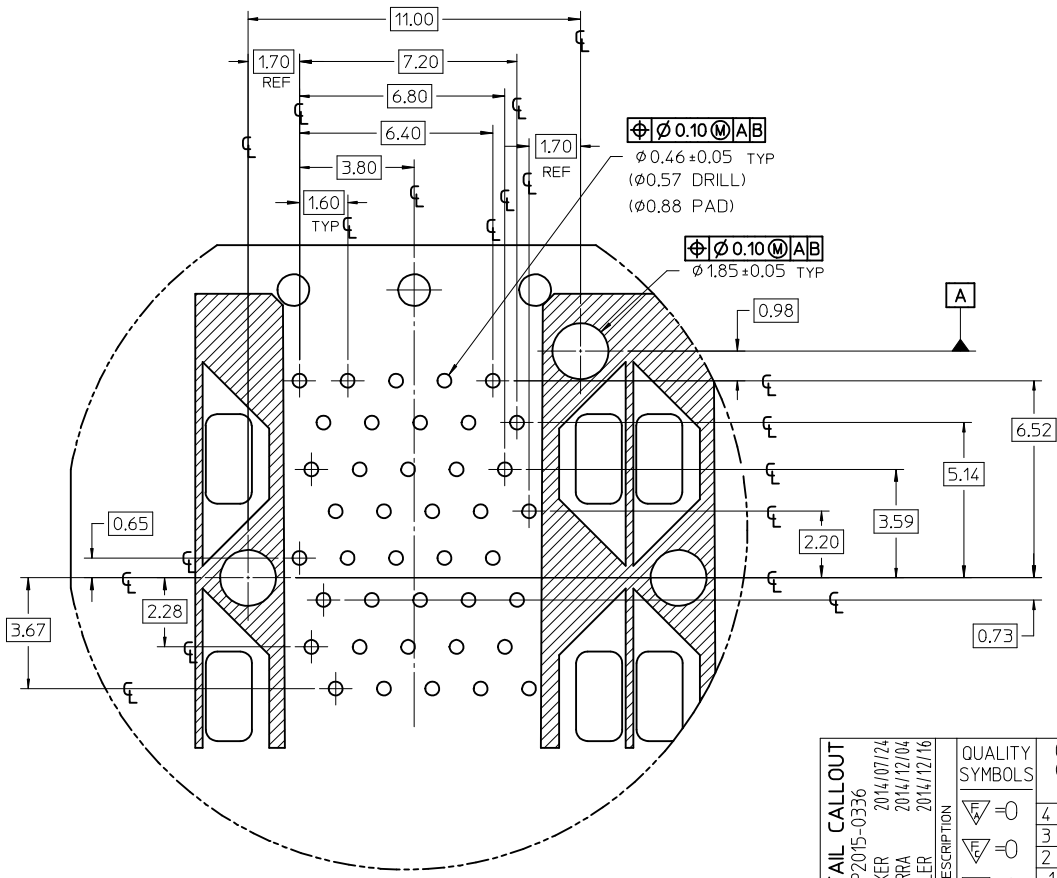
DETAIL B
SCALE 6:1
CIRCUIT NUMBERING AND
LIGHTPIPE IDENTIFICATION



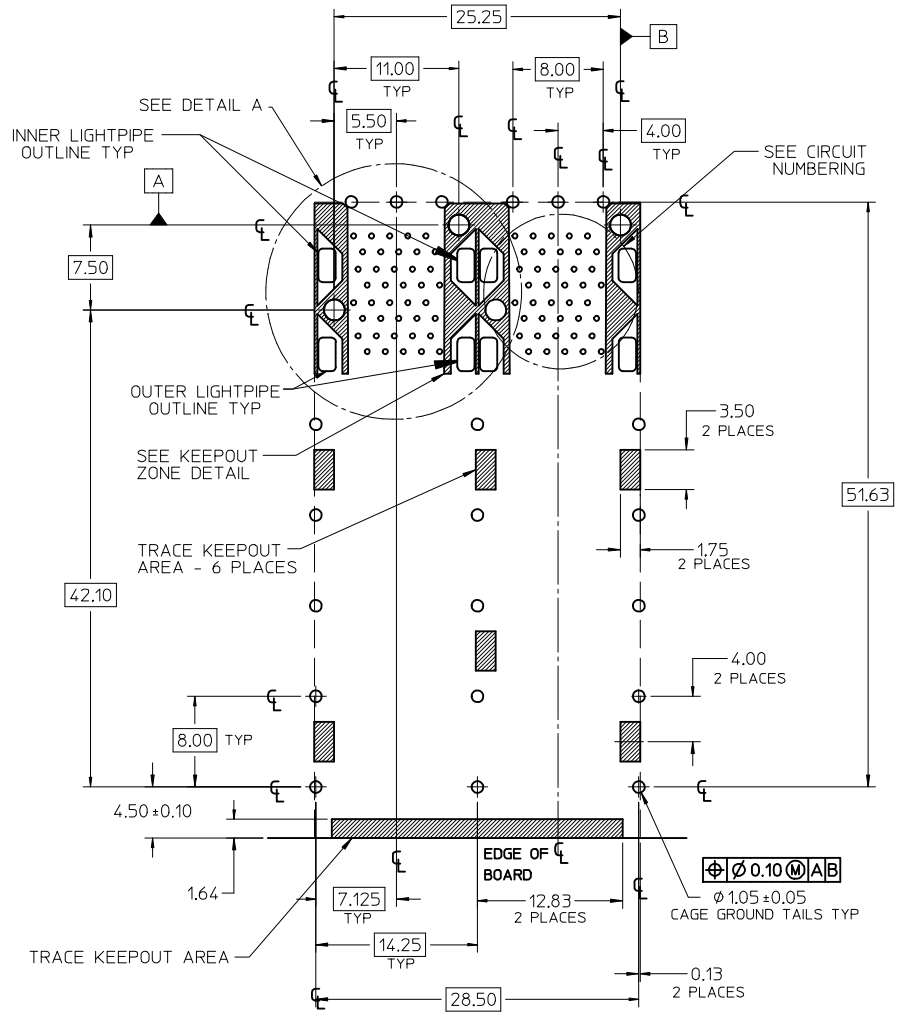
ADD DETAIL B EC NO: UCP2015-0336 DRWN:BBARKER 2014/07/24 CHKD:TIBARRA 2014/12/04 APPR:SMILLER 2014/12/16	QUALITY SYMBOLS ▽=0 ▽=0 ▽=0	GENERAL TOLERANCES (UNLESS SPECIFIED) <table border="1"> <tr> <th></th> <th>mm</th> <th>INCH</th> </tr> <tr> <td>4 PLACES</td> <td>± ---</td> <td>± ---</td> </tr> <tr> <td>3 PLACES</td> <td>± ---</td> <td>± ---</td> </tr> <tr> <td>2 PLACES</td> <td>± 0.13</td> <td>± ---</td> </tr> <tr> <td>1 PLACE</td> <td>± 0.25</td> <td>± ---</td> </tr> </table> ANGULAR ± 5 °		mm	INCH	4 PLACES	± ---	± ---	3 PLACES	± ---	± ---	2 PLACES	± 0.13	± ---	1 PLACE	± 0.25	± ---	DIMENSION STYLE MM ONLY DRAWN BY DATE JJANTELEZIO 01-18-2007 CHECKED BY DATE MSANDBERG 01-18-2007 APPROVED BY DATE RNELSON 01-18-2007	SCALE 3:1 DESIGN UNITS METRIC THIRD ANGLE PROJECTION	TITLE STACKED SFP+ 2X2 ASSY WITH ELASTOMERIC GASKET AND LIGHTPIPPES	SHEET NO. 2 OF 4
		mm	INCH																		
	4 PLACES	± ---	± ---																		
	3 PLACES	± ---	± ---																		
2 PLACES	± 0.13	± ---																			
1 PLACE	± 0.25	± ---																			
MATERIAL NO. SEE TABLE	DOCUMENT NO. SD-76091-001	MOLEX INCORPORATED	THIS DRAWING CONTAINS INFORMATION THAT IS PROPRIETARY TO MOLEX INCORPORATED AND SHOULD NOT BE USED WITHOUT WRITTEN PERMISSION																		



CIRCUIT NUMBERING
COMPONENT SIDE OF BOARD

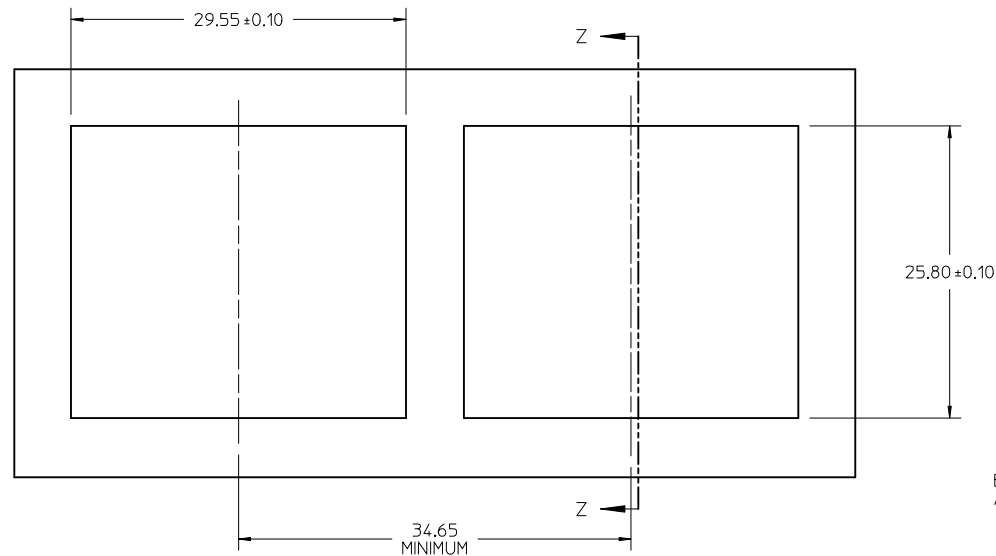


DETAIL A
SCALE 8:1

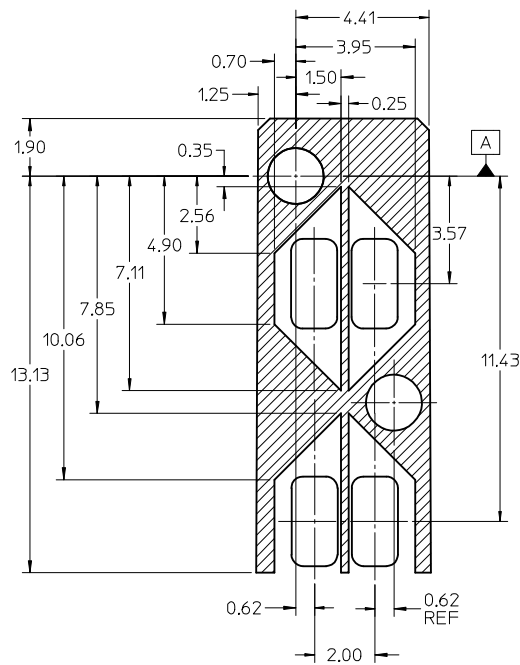
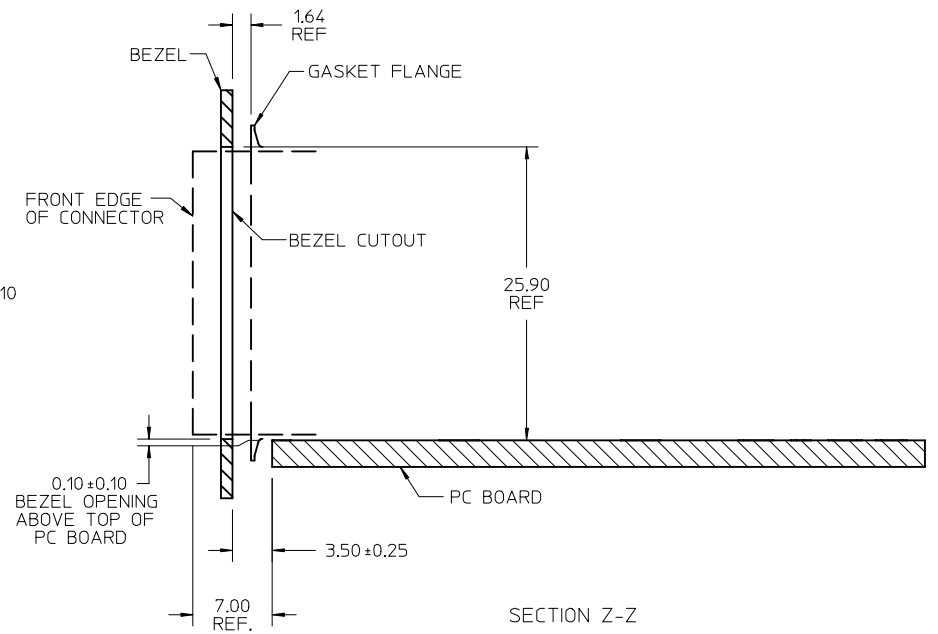


RECOMMENDED PCB LAYOUT - COMPONENT SIDE
RECOMMENDED PCB THICKNESS - 2.36 MM (.093 INCH)
THE ENTIRE AREA OF THE CONNECTOR FOOTPRINT
TO BE CONSIDERED THE KEEP OUT AREA FOR COMPONENTS
(OTHER THAN THE LIGHTPIPE LED'S)
THIS AREA IS INDICATED BY THE DASHED LINE

CHG DETAIL CALLOUT EC NO: UCP2015-0336 DRWN:BBARKER 2014/07/24 CHKD:TIBARRA 2014/12/04 APPR:SMILLER 2014/12/16 REV:	QUALITY SYMBOLS $\nabla = 0$ $\nabla = 0$ $\nabla = 0$	GENERAL TOLERANCES (UNLESS SPECIFIED) <table border="1"> <tr> <th></th> <th>mm</th> <th>INCH</th> </tr> <tr> <td>4 PLACES</td> <td>$\pm .05$</td> <td>$\pm .002$</td> </tr> <tr> <td>3 PLACES</td> <td>$\pm .08$</td> <td>$\pm .003$</td> </tr> <tr> <td>2 PLACES</td> <td>± 0.13</td> <td>$\pm .005$</td> </tr> <tr> <td>1 PLACE</td> <td>± 0.25</td> <td>$\pm .010$</td> </tr> </table>		mm	INCH	4 PLACES	$\pm .05$	$\pm .002$	3 PLACES	$\pm .08$	$\pm .003$	2 PLACES	± 0.13	$\pm .005$	1 PLACE	± 0.25	$\pm .010$	DIMENSION STYLE MM ONLY DRAWN BY: JJANTELEZIO DATE: 01-18-2007 CHECKED BY: MSANDBERG DATE: 01-18-2007 APPROVED BY: RNELSON DATE: 01-18-2007	SCALE: 3:1 DESIGN UNITS: METRIC THIRD ANGLE PROJECTION	STACKED SFP+ 2X2 ASSY WITH ELASTOMERIC GASKET AND LIGHTPIPES MOLEX INCORPORATED MATERIAL NO. SD-76091-001 DOCUMENT NO. SD-76091-001 SHEET NO. 3 OF 4
		mm	INCH																	
	4 PLACES	$\pm .05$	$\pm .002$																	
	3 PLACES	$\pm .08$	$\pm .003$																	
2 PLACES	± 0.13	$\pm .005$																		
1 PLACE	± 0.25	$\pm .010$																		
DRAFT WHERE APPLICABLE MUST REMAIN WITHIN DIMENSIONS	SEE TABLE	THIS DRAWING CONTAINS INFORMATION THAT IS PROPRIETARY TO MOLEX INCORPORATED AND SHOULD NOT BE USED WITHOUT WRITTEN PERMISSION																		



BEZEL CUT-OUT CENTER SPACING DETAIL
BEZEL THICKNESS: 0.8 - 2.6



KEEP-OUT ZONE DETAIL - LIGHTPIPE LOCATION AND OTHER ZONES
SCALE 8:1

THE HATCHED AREA IN THIS VIEW INDICATES ZONES THAT ARE OCCUPIED BY THE PLASTIC HOUSING THAT SEATS AGAINST THE PCB AND BY THE VERTICAL METAL CAGE WALL THAT STOPS JUST SHORT OF THE PCB

ADD SECOND BEZEL CUTOUT EC NO: UCP2015-0336 DRAWN: BARKER 2014/07/24 CHKD: TIBARRA 2014/12/04 APPR: MILLER 2014/12/16	QUALITY SYMBOLS ▽=0 ▽=0 ▽=0	GENERAL TOLERANCES (UNLESS SPECIFIED)		DIMENSION STYLE MM ONLY	SCALE 3:1	DESIGN UNITS METRIC	THIRD ANGLE PROJECTION
		mm	INCH	DRAWN BY JJANTELEZIO	DATE 01-18-2007	TITLE STACKED SFP+ 2X2 ASSY WITH ELASTOMERIC GASKET AND LIGHTPIPES	
REV	DESCRIPTION	4 PLACES	± ---	± ---	CHECKED BY MSANDBERG	DATE 01-18-2007	MOLEX INCORPORATED
		3 PLACES	± ---	± ---	APPROVED BY RNELSON	DATE 01-18-2007	
		2 PLACES	± 0.13	± ---	MATERIAL NO. SEE TABLE		DOCUMENT NO. SD-76091-001
		1 PLACE	± 0.25	± ---	SIZE C		
DRAFT WHERE APPLICABLE MUST REMAIN WITHIN DIMENSIONS		ANGULAR ± 5 °		THIS DRAWING CONTAINS INFORMATION THAT IS PROPRIETARY TO MOLEX INCORPORATED AND SHOULD NOT BE USED WITHOUT WRITTEN PERMISSION		SHEET NO. 4 OF 4	