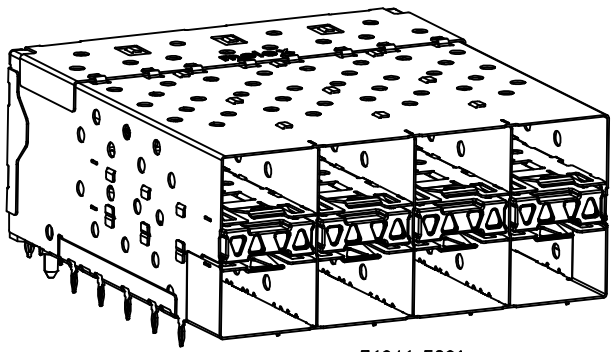


NOTES

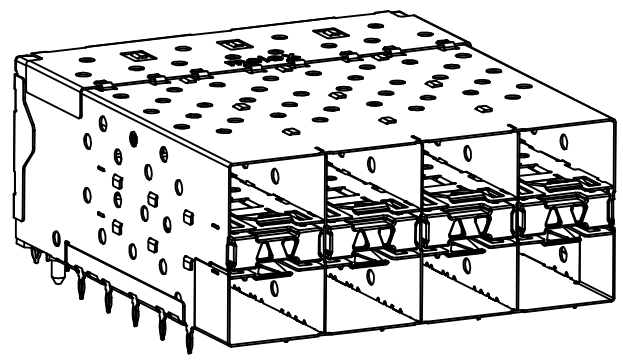
1. MATERIAL:
 CAGE: NICKEL SILVER, THICKNESS: 0.25mm
 CONNECTOR HOUSING: GLASS FILLED LIQUID CRYSTAL POLYMER (LCP), UL 94V-0, COLOR: BLACK
 OVERMOLD TERMINAL HOUSING: GLASS FILLED LIQUID CRYSTAL POLYMER (LCP), UL 94V-0, COLOR: BLACK
 TERMINALS: TIN BRASS
 LIGHTPIPE HOUSING: ZINC
 LIGHTPIPER: POLYCARBONATE, COLOR: CLEAR
2. FINISHES:
 TERMINALS: CONTACT AREA: 0.76 MICROMETERS MINIMUM HARD GOLD OVER 1.27 MICROMETERS MINIMUM NICKEL.
 COMPLIANT TAIL: 0.76 TO 1.52 MICROMETERS MATTE TIN OVER 0.76 MICROMETERS MINIMUM NICKEL.
 LIGHTPIPE HOUSING: 80 MICROMETERS MINIMUM NICKEL OVER COPPER
3. REFER TO PS-75310-001 PRODUCT SPEC FOR ALL ELECTRICAL, MECHANICAL AND ENVIRONMENTAL SPECIFICATIONS.
4. LIGHT PIPE PAD LAYOUT IS FOR 0805 LOW-PROFILE LED PACKAGE, FOR OTHER RECOMMENDED LAYOUTS REFER TO MOLEX'S REPORT TS-75310-001.
5. REFER TO PK-75450-001 FOR ALL PACKAGING SPECIFICATIONS.
6. ALL EXTERIOR SURFACES TO BE CLASS "B" SURFACE EXCEPT THE UNDER SIDE OF THE CAGE (CLASS "C") WHERE THE PCB WOULD BE LOCATED AND AS OTHERWISE NOTED.
 THE SURFACES TO CONFORM TO THE MOLEX COSMETIC DOC PS-45499-002.
7. REFER TO AS-76090-001 FOR HIGH SPEED ROUTING RECOMMENDATIONS.
8. DATE CODE LOCATION IS SHOWN ABOVE.
 DATE CODE FORMAT: DDDY MX A1
 DDD = DAY OF THE YEAR
 Y = YEAR
 MX = MOLEX
 A = ALPHA CHARACTER - INDICATES MANUFACTURING LINE
 1 = NUMERIC CHARACTER - INDICATES PRODUCTION SHIFT

PART NUMBER	LIGHT PIPE CONFIGURATION - SEE SHEET 2	CAGE PLATING
76046-5901	4 LIGHT PORTS	NONE
	INNER 2 PORTS	NONE
	OUTER 2 PORTS	NONE

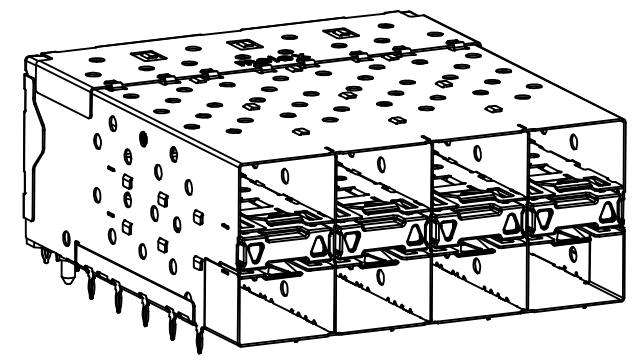
INITIAL RELEASE EC NO: UCP2014-0581 DRWN:BBARKER 2013/08/06 CHKD: APPR:SMILLER 2013/12/20	QUALITY SYMBOLS 	GENERAL TOLERANCES (UNLESS SPECIFIED) <table border="1"> <tr> <th></th> <th>mm</th> <th>INCH</th> </tr> <tr> <td>4 PLACES</td> <td>± 0.13</td> <td>± 0.005</td> </tr> <tr> <td>3 PLACES</td> <td>± 0.25</td> <td>± 0.010</td> </tr> <tr> <td>2 PLACES</td> <td>± 0.50</td> <td>± 0.020</td> </tr> <tr> <td>1 PLACE</td> <td>± 1.27</td> <td>± 0.050</td> </tr> <tr> <td>0 PLACE</td> <td>± 2.54</td> <td>± 0.100</td> </tr> </table>		mm	INCH	4 PLACES	± 0.13	± 0.005	3 PLACES	± 0.25	± 0.010	2 PLACES	± 0.50	± 0.020	1 PLACE	± 1.27	± 0.050	0 PLACE	± 2.54	± 0.100	DIMENSION STYLE MM ONLY DRAWN BY DATE BBARKER 2013/08/06 CHECKED BY DATE TIBARRA 2013/08/08 APPROVED BY DATE SMILLER 2013/12/20	SCALE 3:1 DESIGN UNITS METRIC 	TITLE STACKED SFP+ 2X4 ASS'Y NO GASKET/FLANGE WITH LIGHTPIPER 	MATERIAL NO. SEE TABLE DOCUMENT NO. RSD-76046-5900 SHEET NO. 1 OF 4
		mm	INCH																					
	4 PLACES	± 0.13	± 0.005																					
	3 PLACES	± 0.25	± 0.010																					
2 PLACES	± 0.50	± 0.020																						
1 PLACE	± 1.27	± 0.050																						
0 PLACE	± 2.54	± 0.100																						
DRAFT WHERE APPLICABLE MUST REMAIN WITHIN DIMENSIONS		SIZE 	THIS DRAWING CONTAINS INFORMATION THAT IS PROPRIETARY TO MOLEX INCORPORATED AND SHOULD NOT BE USED WITHOUT WRITTEN PERMISSION																					
INITIAL RELEASE EC NO: UCP2014-0581 DRWN:BBARKER 2013/08/06 CHKD: APPR:SMILLER 2013/12/20																								
QUALITY SYMBOLS 																								



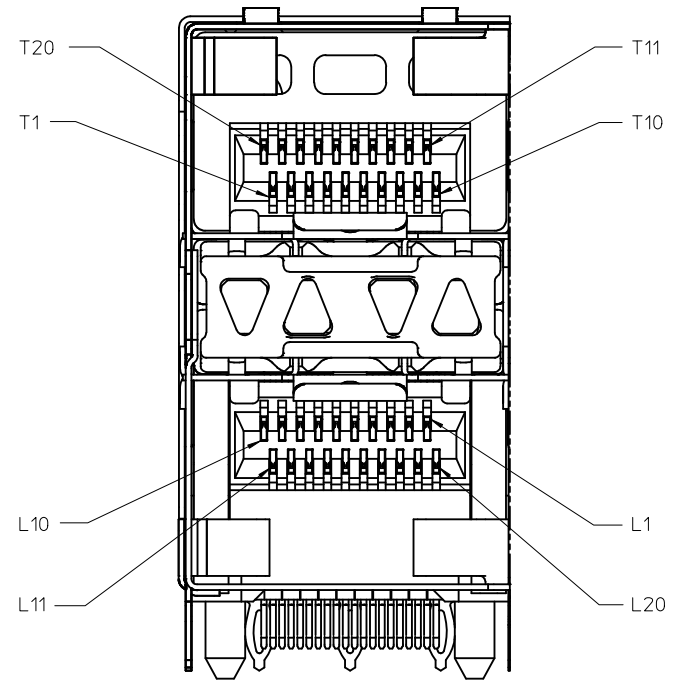
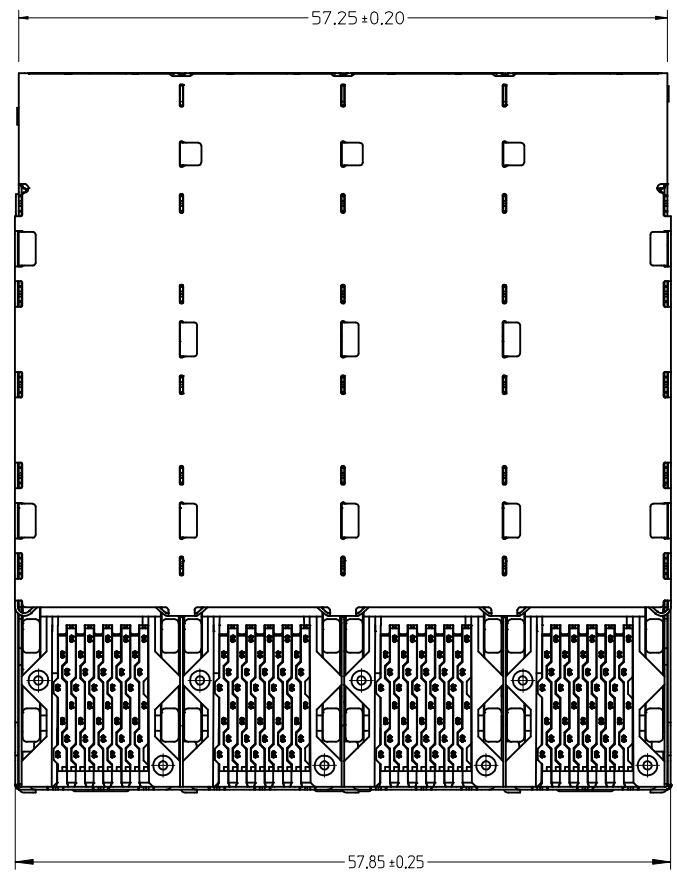
76046-5901
WITH INNER & OUTER LIGHTPIPE PORTS



WITH INNER LIGHTPIPE PORTS

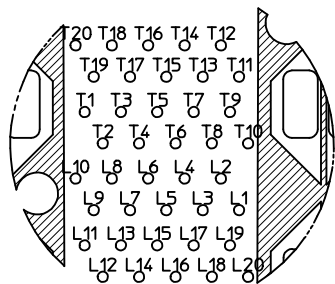


WITH OUTER LIGHTPIPE PORTS

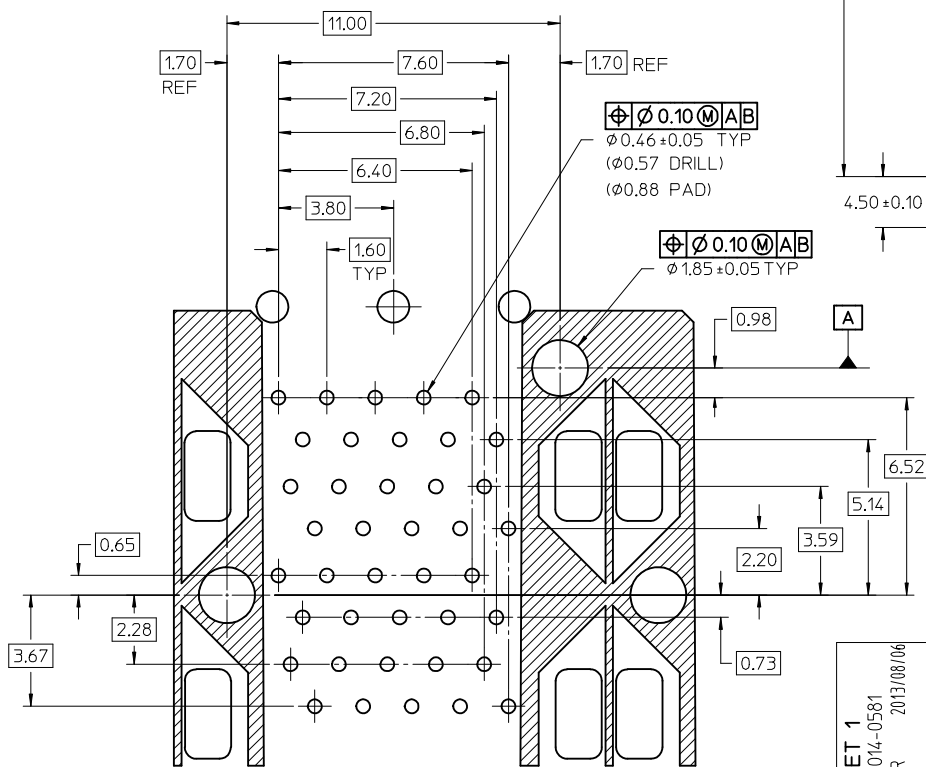


DETAIL B SCALE 6:1
CIRCUIT NUMBERING AND LIGHTPIPE IDENTIFICATION

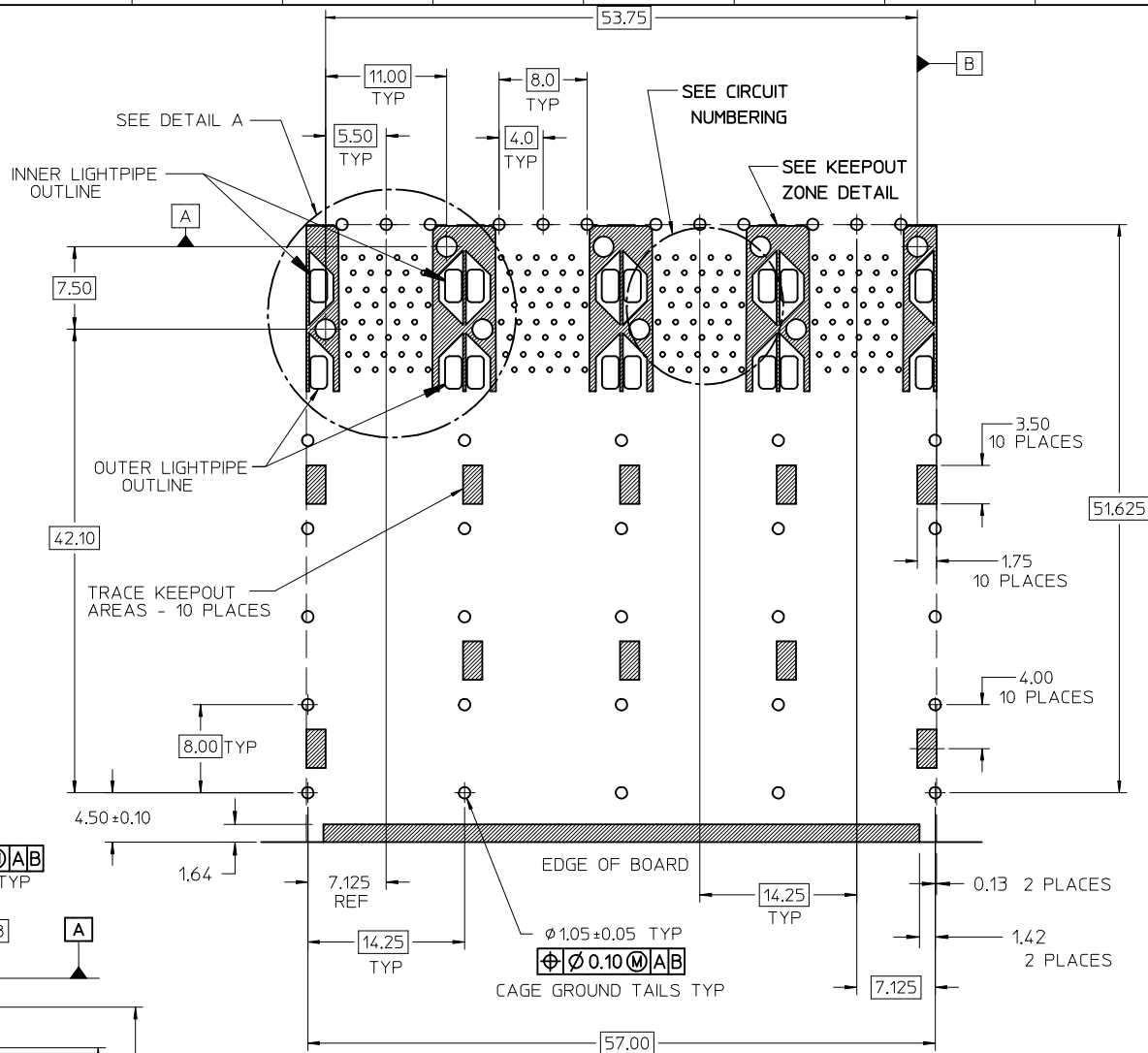
SEE SHEET 1 EC NO: UCP2014-0581 DRWN:BBARKER 2013/08/06 CHKD: APPR:SMILLER 2013/12/20 REVISIONS A	QUALITY SYMBOLS ∇=0 ∇=0 ∇=0	GENERAL TOLERANCES (UNLESS SPECIFIED) mm INCH 4 PLACES ± --- + --- 3 PLACES ± --- ± --- 2 PLACES ± 0.13 ± --- 1 PLACE ± 0.25 ± --- 0 PLACE ± ± ANGULAR ± 5 ° DRAFT WHERE APPLICABLE MUST REMAIN WITHIN DIMENSIONS	DIMENSION STYLE MM ONLY DRAWN BY DATE BBARKER 2013/08/06 CHECKED BY DATE TIBARRA 2013/08/08 APPROVED BY DATE SMILLER 2013/12/20 MATERIAL NO. SEE TBL, SHT 1	SCALE 3:1 DESIGN UNITS METRIC THIRD ANGLE PROJECTION STACKED SFP+ 2X4 ASS'Y NO GASKET/FLANGE WITH LIGHTPIPES molex DOCUMENT NO. RSD-76046-5900 SHEET NO. 2 OF 4	
	THIS DRAWING CONTAINS INFORMATION THAT IS PROPRIETARY TO MOLEX INCORPORATED AND SHOULD NOT BE USED WITHOUT WRITTEN PERMISSION			SIZE C	
					SHEET NO. 2 OF 4
					SHEET NO. 2 OF 4



CIRCUIT NUMBERING
COMPONENT SIDE OF BOARD

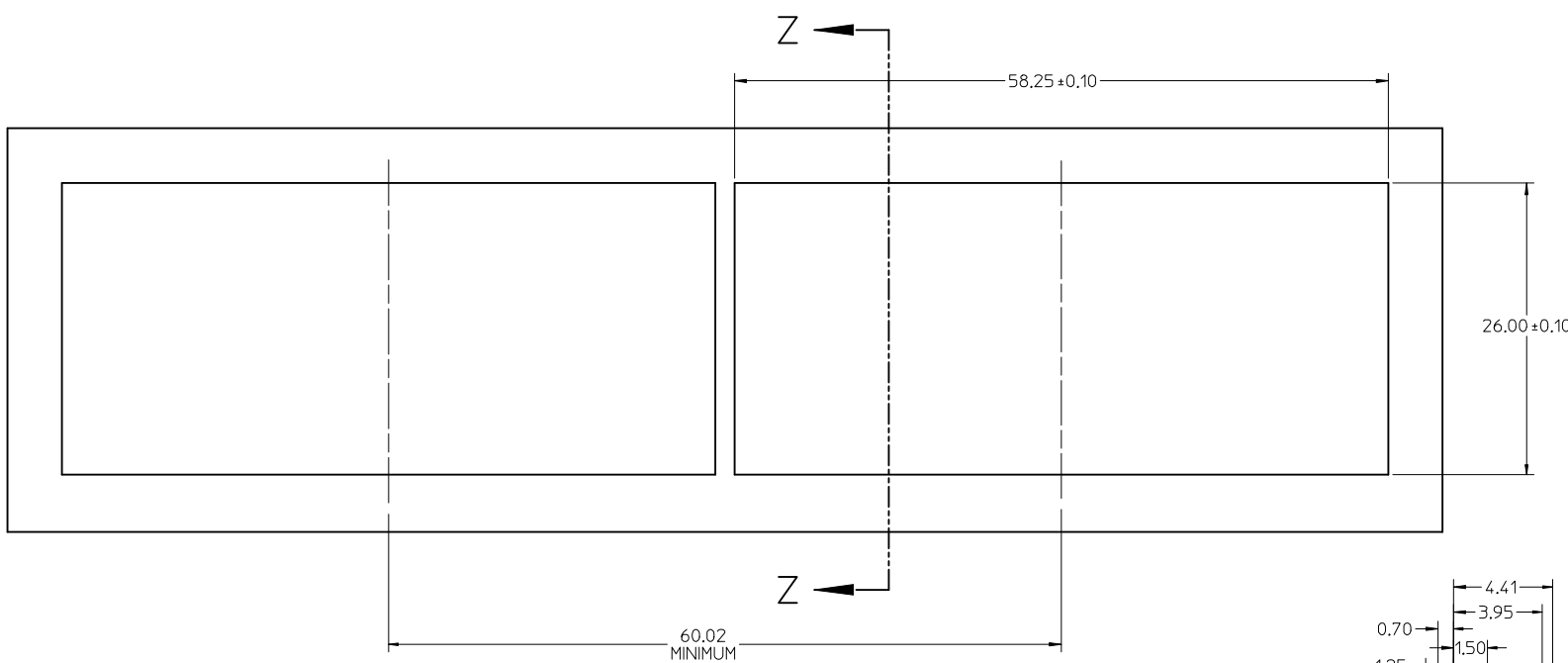


DETAIL A
SCALE 8:1

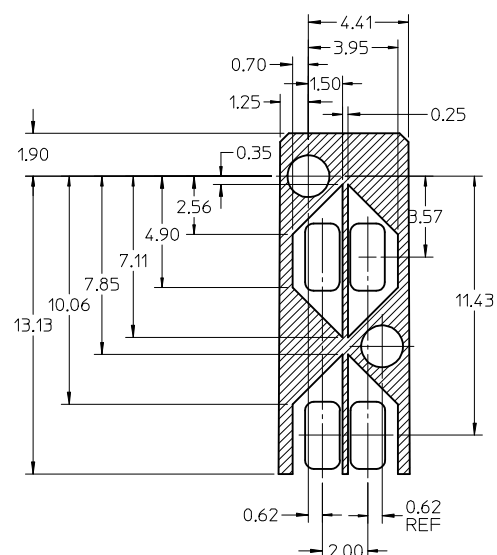


RECOMMENDED PCB LAYOUT - COMPONENT SIDE
MINIMUM PCB THICKNESS OF 157MM
THE ENTIRE AREA OF THE CONNECTOR FOOTPRINT
TO BE CONSIDERED THE KEEP OUT AREA INDICATED
BY THE DASHED LINE

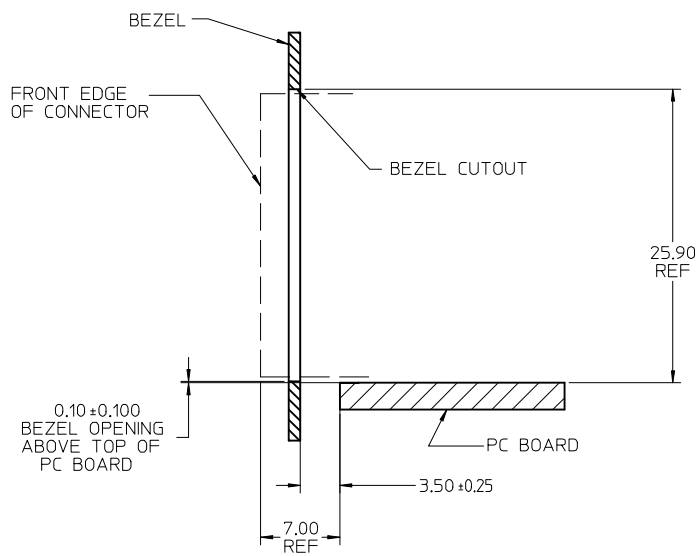
SEE SHEET 1 EC NO: UCP2014-0581 DRAWN: BBARKER 2013/08/06 CHKD: APPR: SMILLER 2013/12/20 REV: A	QUALITY SYMBOLS $\nabla = 0$ $\nabla = 0$ $\nabla = 0$	GENERAL TOLERANCES (UNLESS SPECIFIED) <table border="1"> <thead> <tr> <th></th> <th>mm</th> <th>INCH</th> </tr> </thead> <tbody> <tr> <td>4 PLACES</td> <td>\pm ---</td> <td>\pm ---</td> </tr> <tr> <td>3 PLACES</td> <td>\pm ---</td> <td>\pm ---</td> </tr> <tr> <td>2 PLACES</td> <td>± 0.13</td> <td>\pm ---</td> </tr> <tr> <td>1 PLACE</td> <td>± 0.25</td> <td>\pm ---</td> </tr> <tr> <td>0 PLACE</td> <td>\pm</td> <td>\pm</td> </tr> </tbody> </table>		mm	INCH	4 PLACES	\pm ---	\pm ---	3 PLACES	\pm ---	\pm ---	2 PLACES	± 0.13	\pm ---	1 PLACE	± 0.25	\pm ---	0 PLACE	\pm	\pm	DIMENSION STYLE MM ONLY DRAWN BY: BBARKER DATE: 2013/08/06 CHECKED BY: TIBARRA DATE: 2013/08/08 APPROVED BY: SMILLER DATE: 2013/12/20	SCALE: 3:1 DESIGN UNITS: METRIC THIRD ANGLE PROJECTION	TITLE: STACKED SFP+ 2X4 ASS'Y NO GASKET/FLANGE WITH LIGHTPIPES molex	DOCUMENT NO.: RSD-76046-5900 SHEET NO.: 3 OF 4
		mm	INCH																					
	4 PLACES	\pm ---	\pm ---																					
	3 PLACES	\pm ---	\pm ---																					
2 PLACES	± 0.13	\pm ---																						
1 PLACE	± 0.25	\pm ---																						
0 PLACE	\pm	\pm																						
ANGULAR $\pm 5^\circ$		MATERIAL NO.: SEE TBL, SHT 1		DRAFT WHERE APPLICABLE MUST REMAIN WITHIN DIMENSIONS		THIS DRAWING CONTAINS INFORMATION THAT IS PROPRIETARY TO MOLEX INCORPORATED AND SHOULD NOT BE USED WITHOUT WRITTEN PERMISSION																		



BEZEL CUTOUT CENTER SPACING DETAIL
BEZEL THICKNESS 0.8-2.6

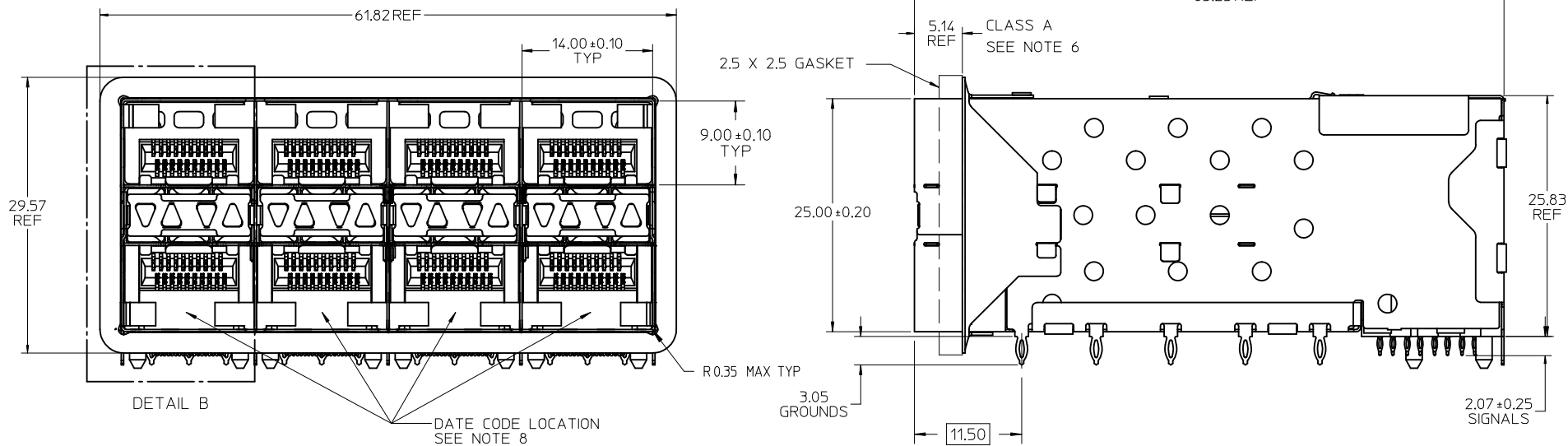


KEEP OUT ZONE DETAIL - LIGHTPIPE LOCATION AND OTHER ZONES
SCALE 6:1



SECTION Z-Z

SEE SHEET 1 EC NO: UCP2014-0581 DRWN:BBARKER 2013/08/06 CHKD: APPR:SMILLER 2013/12/20 REV: A	QUALITY SYMBOLS	GENERAL TOLERANCES (UNLESS SPECIFIED)	DIMENSION STYLE	SCALE	DESIGN UNITS	THIRD ANGLE PROJECTION
	▽=0	mm INCH	MM ONLY	3:1	METRIC	□
	▽=0	4 PLACES ± --- ± ---	DRAWN BY DATE	TITLE	STACKED SFP+ 2X4 ASS'Y NO GASKET/FLANGE WITH LIGHTPIPES molex	
	▽=0	3 PLACES ± --- ± ---	BBARKER 2013/08/06	3		
	▽=0	2 PLACES ± 0.13 ± ---	CHECKED BY DATE	4	DOCUMENT NO.	SHEET NO.
▽=0	1 PLACE ± 0.25 ± ---	TIBARRA 2013/08/08	5	RSD-76046-5900	4 OF 4	
REV: A	ANGULAR ± 5 °	0 PLACE ± ±	SMILLER 2013/12/20	6	THIS DRAWING CONTAINS INFORMATION THAT IS PROPRIETARY TO MOLEX. INCORPORATED AND SHOULD NOT BE USED WITHOUT WRITTEN PERMISSION	



NOTES

1. MATERIAL:

- CAGE: NICKEL SILVER, THICKNESS: 0.25mm
- CONNECTOR HOUSING: GLASS FILLED LIQUID CRYSTAL POLYMER (LCP), UL 94V-0, COLOR: BLACK
- OVERMOLD TERMINAL HOUSING: GLASS FILLED LIQUID CRYSTAL POLYMER (LCP), UL 94V-0, COLOR: BLACK
- TERMINALS: TIN BRASS
- EMI GASKET: CONDUCTIVE ELASTOMER
- LIGHTPIPE HOUSING: ZINC
- LIGHTPIPES: POLYCARBONATE, COLOR: CLEAR

2. FINISHES:

- TERMINALS: CONTACT AREA: 0.76 MICROMETERS MINIMUM HARD GOLD OVER 1.27 MICROMETERS MINIMUM NICKEL.
- COMPLIANT TAIL - MATTE TIN/LEAD OPTION: 0.76 TO 1.52 MICROMETERS 90/10 MATTE TIN-LEAD OVER 0.76 MICROMETERS MINIMUM NICKEL.
- COMPLIANT TAIL - MATTE TIN OPTION: 0.76 TO 1.52 MICROMETERS MATTE TIN OVER 0.76 MICROMETERS MINIMUM NICKEL.
- LIGHTPIPE HOUSING: 80 MICROMETERS MINIMUM NICKEL OVER COPPER

- 3. REFER TO PS-75310-001 PRODUCT SPEC FOR ALL ELECTRICAL, MECHANICAL AND ENVIRONMENTAL SPECIFICATIONS.
- 4. LIGHT PIPE PAD LAYOUT IS FOR 0805 LOW-PROFILE LED PACKAGE, FOR OTHER RECOMMENDED LAYOUTS REFER TO MOLEX'S REPORT TS-75310-001.
- 5. REFER TO PK-75450-001 FOR ALL PACKAGING SPECIFICATIONS.
- 6. ALL EXTERIOR SURFACES TO BE CLASS 'B' SURFACE EXCEPT THE UNDER SIDE OF THE CAGE WHERE THE PCB WOULD BE LOCATED AND AS NOTED. THE SURFACES TO CONFORM TO THE MOLEX COSMETIC DOC PS-45499-002.
- 7. REFER TO AS-76090-001 FOR HIGH SPEED ROUTING RECOMMENDATIONS.
- 8. DATE CODE LOCATION IS SHOWN ABOVE.

DATE CODE FORMAT: DDDY MX A1

DDD = DAY OF THE YEAR

Y = YEAR

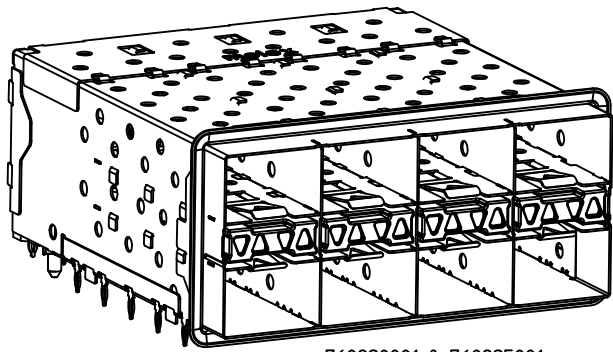
MX = MOLEX

A = ALPHA CHARACTER - INDICATES MANUFACTURING LINE

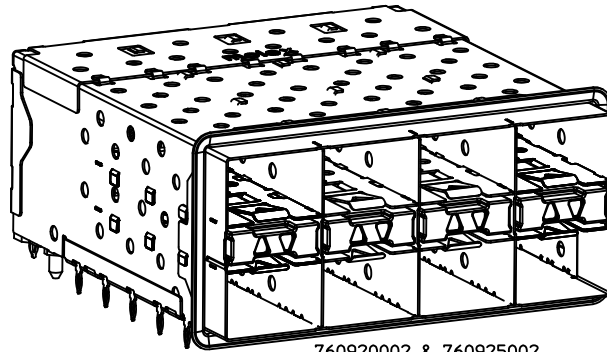
1 = NUMERIC CHARACTER - INDICATES PRODUCTION SHIFT

PART NUMBER	DESCRIPTION	VIEW	COMPLIANT TAIL PLATING	CAGE PLATING
760920001	4 LIGHT PORTS	SEE PG 2	MATTE TIN / LEAD	N/A
760920002	INNER 2 PORTS	SEE PG 2	MATTE TIN / LEAD	N/A
760920003	OUTER 2 PORTS	SEE PG 2	MATTE TIN / LEAD	N/A
760925001	4 LIGHT PORTS	SEE PG 2	MATTE TIN	N/A
760925002	INNER 2 PORTS	SEE PG 2	MATTE TIN	N/A
760925003	OUTER 2 PORTS	SEE PG 2	MATTE TIN	N/A

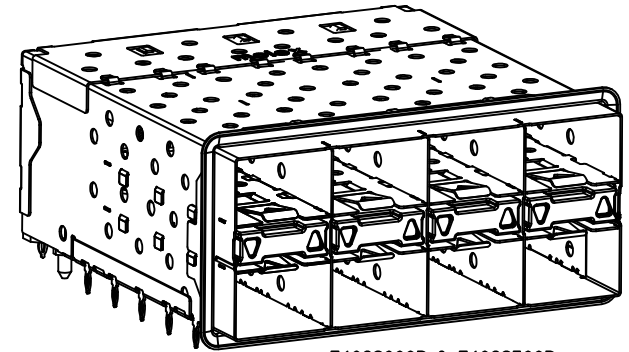
ADD NOTE 7 & 8 EC NO: UCP2011-2594 DR: WIMOLFE 2011/02/28 CHKD: BBARKER 2011/02/28 APPR: SMILLER 2011/09/20	DESCRIPTION REV:	QUALITY SYMBOLS	GENERAL TOLERANCES (UNLESS SPECIFIED)	DIMENSION STYLE MM ONLY	SCALE 3:1	DESIGN UNITS METRIC	THIRD ANGLE PROJECTION
		▽=0	mm INCH	DRAWN BY DATE	MOLEX INCORPORATED SD-76092-001 SHEET NO. 1 OF 4		
		▽=0	4 PLACES ± --- ± ---	JLONG 01-26-2007			
		▽=0	3 PLACES ± --- ± ---	CHECKED BY DATE			
▽=0	2 PLACES ± 0.13 ± ---	MSANDBERG 01-26-2007					
		ANGULAR ± 5 °	APPROVED BY DATE				
			RNELSON 01-26-2007				
			MATERIAL NO.	SEE TABLE			
			DRAFT WHERE APPLICABLE MUST REMAIN WITHIN DIMENSIONS	SIZE			



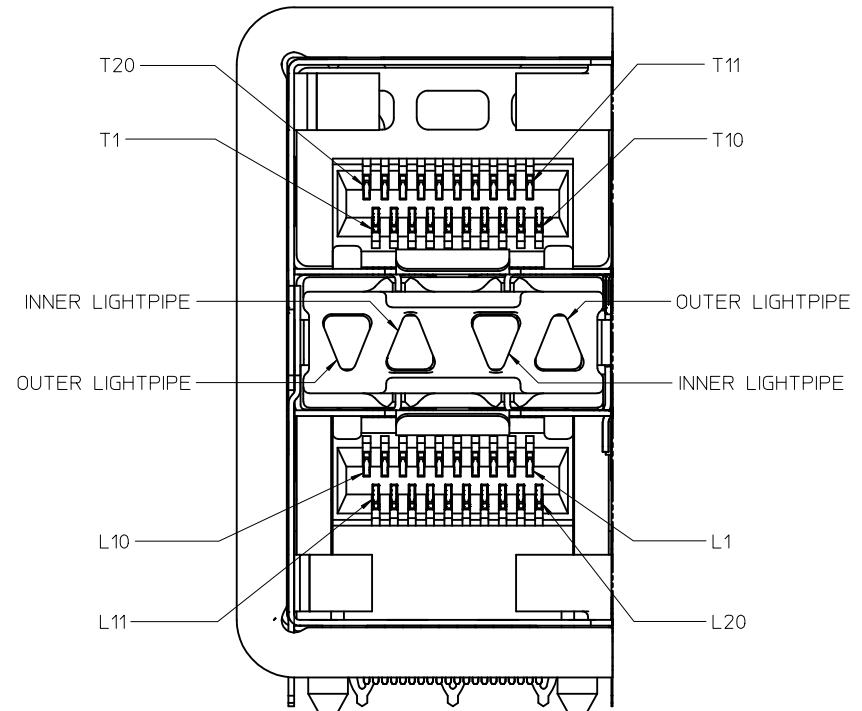
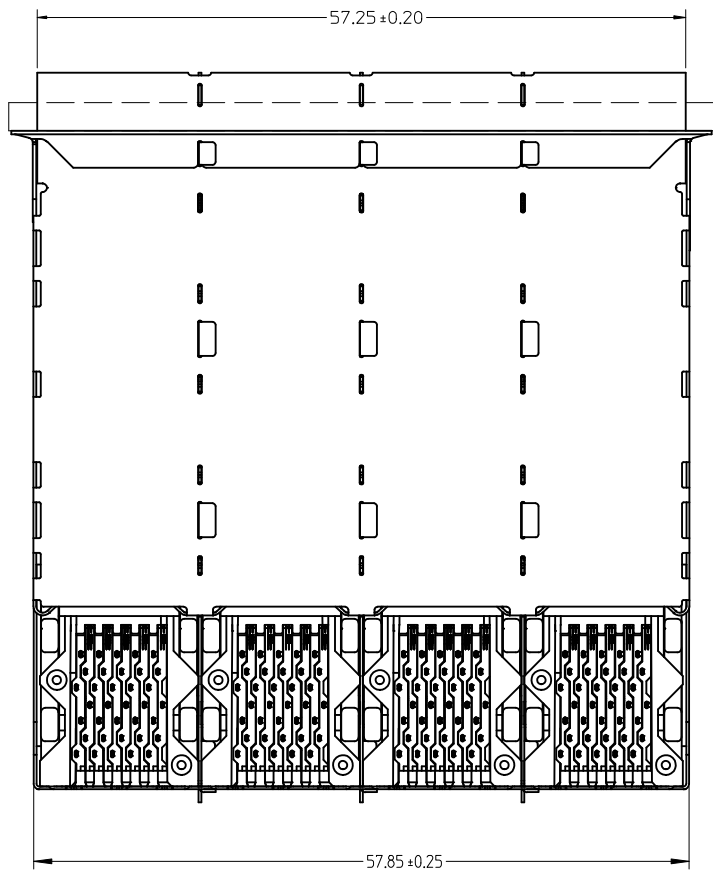
760920001 & 760925001
WITH INNER & OUTER LIGHTPIPE PORTS



760920002 & 760925002
WITH INNER LIGHTPIPE PORTS

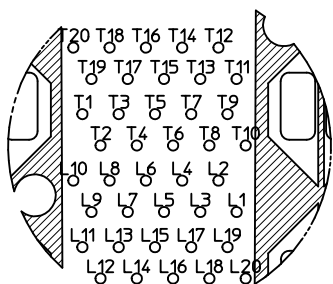


760920003 & 760925003
WITH OUTER LIGHTPIPE PORTS

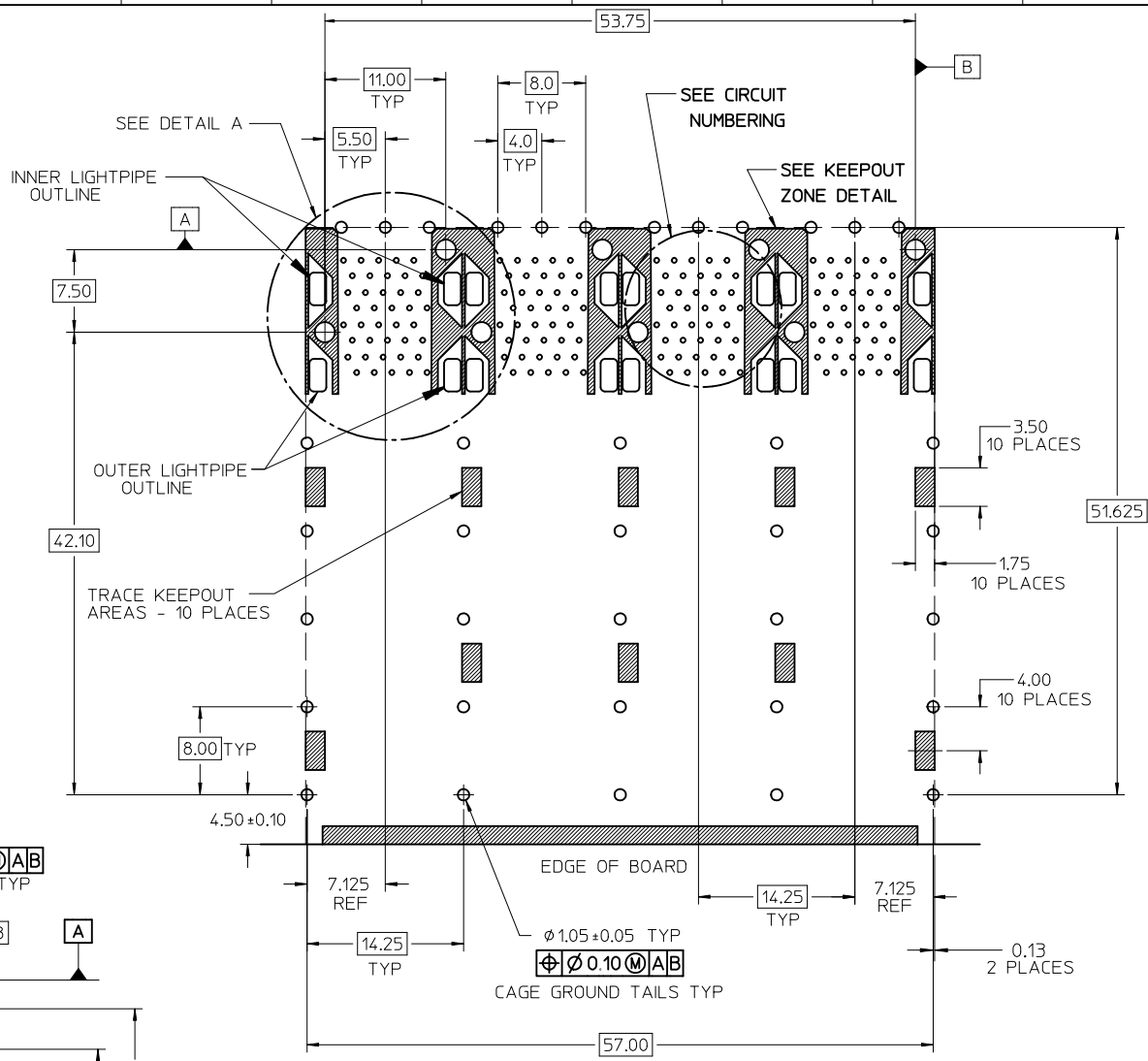


DETAIL B SCALE 6:1
CIRCUIT NUMBERING AND LIGHTPIPE IDENTIFICATION

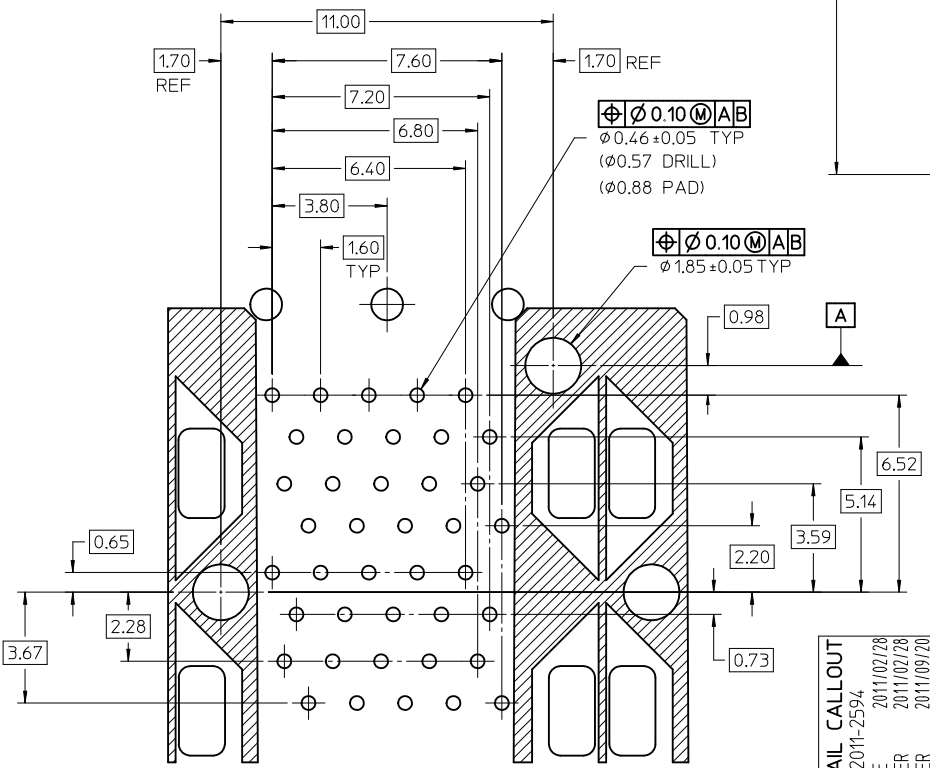
ADD DETAIL B EC NO: UCP2011-2594 DRWN:WOLFE 2011/02/28 CHKD:BBARKER 2011/02/28 APPR:SMILLER 2011/09/20	QUALITY SYMBOLS ▽=0 ▽=0 ▽=0	GENERAL TOLERANCES (UNLESS SPECIFIED)		DIMENSION STYLE MM ONLY	SCALE 3:1	DESIGN UNITS METRIC	THIRD ANGLE PROJECTION		
		4 PLACES ± --- ± --- 3 PLACES ± --- ± --- 2 PLACES ± 0.13 ± --- 1 PLACE ± 0.25 ± ---	mm INCH ± --- ± --- ± 0.13 ± --- ± 0.25 ± ---	DRAWN BY JLONG	DATE 01-26-2007	CHECKED BY MSANDBERG	DATE 01-26-2007	STACKED SFP+ 2X4 ASS'Y WITH ELASTOMERIC GASKET AND LIGHTPIPPES	
		ANGULAR ± 5 °		APPROVED BY RNELSON	DATE 01-26-2007	MOLEX INCORPORATED		MATERIAL NO. SEE TABLE	DOCUMENT NO. SD-76092-001
		DRAFT WHERE APPLICABLE MUST REMAIN WITHIN DIMENSIONS		SIZE C	THIS DRAWING CONTAINS INFORMATION THAT IS PROPRIETARY TO MOLEX INCORPORATED AND SHOULD NOT BE USED WITHOUT WRITTEN PERMISSION				



CIRCUIT NUMBERING
COMPONENT SIDE OF BOARD



RECOMMENDED PCB LAYOUT - COMPONENT SIDE
MINIMUM PCB THICKNESS OF 1.57MM
THE ENTIRE AREA OF THE CONNECTOR FOOTPRINT
TO BE CONSIDERED THE KEEP OUT AREA INDICATED
BY THE DASHED LINE



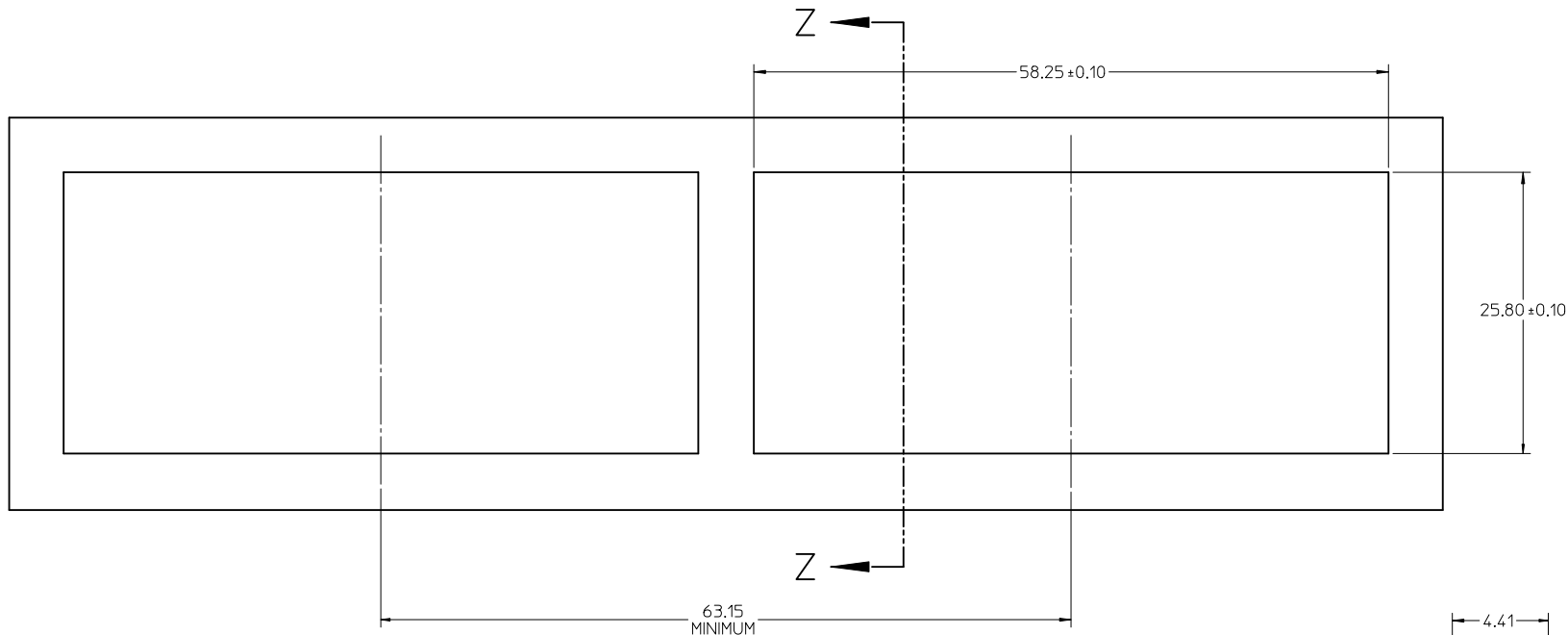
DETAIL A
SCALE 8:1

CHG EC NO: UCP2011-2594 DRAWN: MWOLFE CHKD: BBARKER APPR: SMILLER	2011/02/28	2011/02/28	2011/09/20
	DESCRIPTION		
	REV		

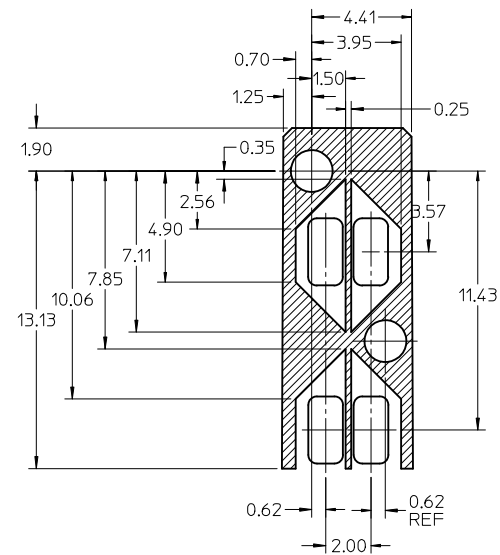
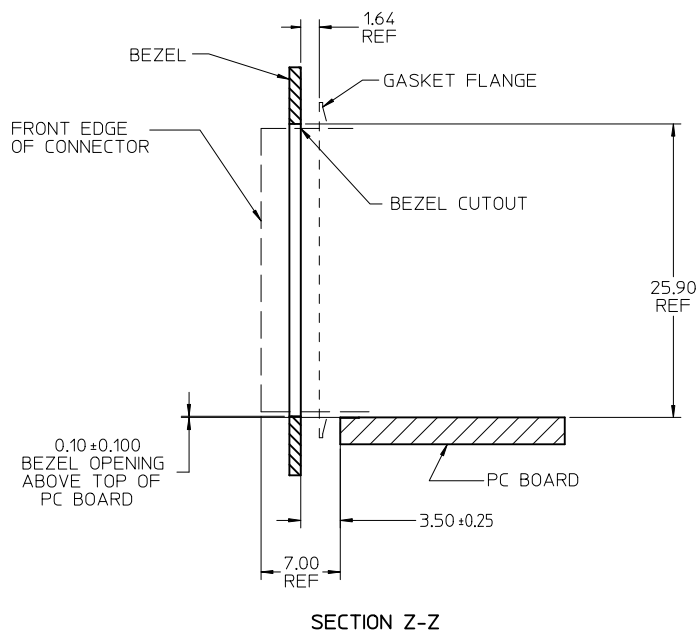
QUALITY SYMBOLS	$\nabla = \emptyset$
	$\nabla = \emptyset$
GENERAL TOLERANCES (UNLESS SPECIFIED)	mm
	INCH
DRAFT WHERE APPLICABLE MUST REMAIN WITHIN DIMENSIONS	4 PLACES \pm ---
	3 PLACES \pm ---
	2 PLACES ± 0.13
	1 PLACE ± 0.25
	ANGULAR $\pm 5^\circ$

DIMENSION STYLE	
MM ONLY	
DRAWN BY	DATE
JLONG	01-26-2007
CHECKED BY	DATE
MSANDBERG	01-26-2007
APPROVED BY	DATE
RNELSON	01-26-2007
MATERIAL NO.	DOCUMENT NO.
SEE TABLE	SD-76092-001

SCALE	DESIGN UNITS	THIRD ANGLE PROJECTION
3:1	METRIC	<input checked="" type="checkbox"/> THIRD ANGLE PROJECTION
STACKED SFP+ 2X4 ASS'Y WITH ELASTOMERIC GASKET AND LIGHTPIPES		
MOLEX INCORPORATED		
SHEET NO.		3 OF 4



BEZEL CUTOUT CENTER SPACING DETAIL
BEZEL THICKNESS 0.8-2.6



KEEP OUT ZONE DETAIL - LIGHTPIPE LOCATION AND OTHER ZONES
SCALE 6:1

DELETE MIDDLE BEZEL DIM EC NO: UCP2011-2594 DRAWN: WOLFE 2011/02/28 CHKD: BARKER 2011/02/28 APPR: MILLER 2011/09/20	QUALITY SYMBOLS 	GENERAL TOLERANCES (UNLESS SPECIFIED)		DIMENSION STYLE MM ONLY	SCALE 3:1	DESIGN UNITS METRIC	THIRD ANGLE PROJECTION		
		4 PLACES ± --- ± ---	3 PLACES ± --- ± ---	DRAWN BY JLONG	DATE 01-26-2007	TITLE STACKED SFP+ 2X4 ASS'Y WITH ELASTOMERIC GASKET AND LIGHTPIPES			
		2 PLACES ± 0.13 ± ---	1 PLACE ± 0.25 ± ---	CHECKED BY MSANDBERG	DATE 01-26-2007	MOLEX INCORPORATED			
		ANGULAR ± 5 °		APPROVED BY RNELSON	DATE 01-26-2007	MATERIAL NO. SEE TABLE DOCUMENT NO. SD-76092-001 SHEET NO. 4 OF 4			
DRAFT WHERE APPLICABLE MUST REMAIN WITHIN DIMENSIONS		SIZE C		THIS DRAWING CONTAINS INFORMATION THAT IS PROPRIETARY TO MOLEX INCORPORATED AND SHOULD NOT BE USED WITHOUT WRITTEN PERMISSION					