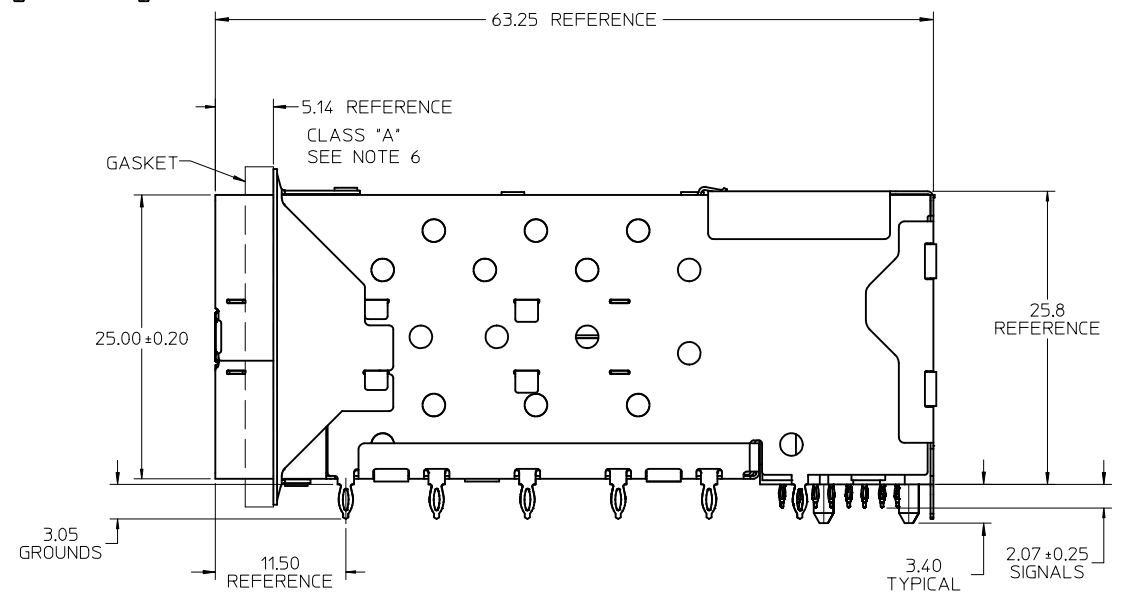
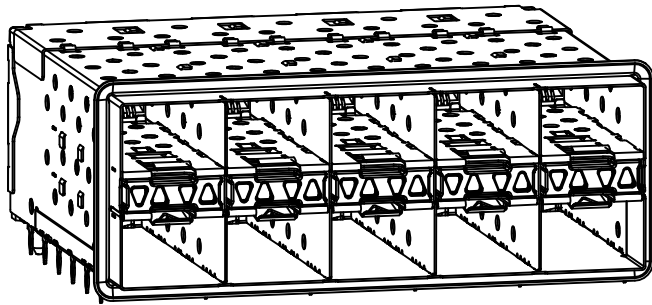


| PART NUMBER | DESCRIPTION | VIEW | COMPLIANT TAIL PLATING |
|-------------|---------------|----------|------------------------|
| | 4 LIGHT PORTS | SEE PG 2 | TIN / LEAD |
| | INNER 2 PORTS | SEE PG 2 | TIN / LEAD |
| | OUTER 2 PORTS | SEE PG 2 | TIN / LEAD |
| | 4 LIGHT PORTS | SEE PG 2 | TIN |
| | INNER 2 PORTS | SEE PG 2 | TIN |
| 760937003 | OUTER 2 PORTS | SEE PG 2 | TIN |

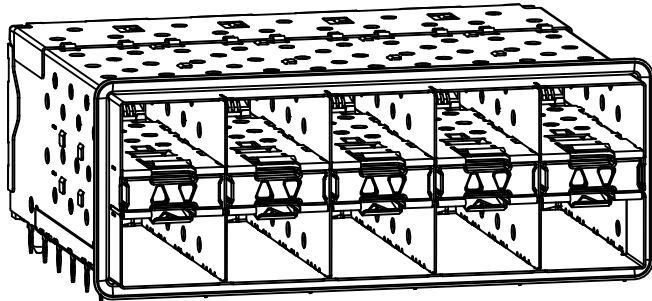
- NOTES:
- MATERIAL:
 - CAGE: NICKEL SILVER, THICKNESS: 0.25mm
 - GASKET FLANGE: STAINLESS STEEL
 - EMI GASKET: CONDUCTIVE POLYMER
 - CONNECTOR HOUSING: GLASS FILLED LIQUID CRYSTAL POLYMER (LCP), UL 94V-0, COLOR: BLACK
 - OVERMOLD TERMINAL HOUSING: GLASS FILLED LIQUID CRYSTAL POLYMER (LCP), UL 94V-0, COLOR: BLACK
 - TERMINALS: BRASS
 - LIGHT PIPE HOUSING: ZINC
 - FINISH
 - TERMINALS: CONTACT AREA: 0.76 MICROMETERS MINIMUM HARD GOLD OVER 1.27 MICROMETERS MINIMUM NICKEL.
 - COMPLIANT TAIL - TIN/LEAD VERSION: 0.76 TO 1.52 MICROMETERS 90/10 TIN-LEAD OVER 0.76 TO 1.52 MICROMETERS NICKEL.
 - COMPLIANT TAIL - TIN VERSION: 0.76 TO 1.52 MICROMETERS 90/10 TIN OVER 0.76 TO 1.52 MICROMETERS NICKEL.
 - LIGHT PIPE HOUSING: 150 MICROMETERS MINIMUM NICKEL OVER 150 MICROMETERS MINIMUM COPPER.
 - REFER TO PS-75310-001 PRODUCT SPEC FOR ALL ELECTRICAL, MECHANICAL AND ENVIRONMENTAL SPECIFICATIONS.
 - LIGHT PIPE PAD LAYOUT IS FOR 0805 LOW-PROFILE LED PACKAGE, FOR OTHER RECOMMENDED LAYOUTS REFER TO MOLEX'S REPORT TS-75310-001
 - REFER TO PK-75733-001 FOR ALL PACKAGING SPECIFICATIONS.
 - THE SURFACES CONFORM TO THE MOLEX COSMETIC SPEC PS-45499-002. ALL EXTERIOR SURFACES TO BE CLASS "B" SURFACE EXCEPT THE UNDERSIDE (CLASS "C") OF THE CAGE (SIDE TOWARD THE PCB) AND AS OTHERWISE NOTED.



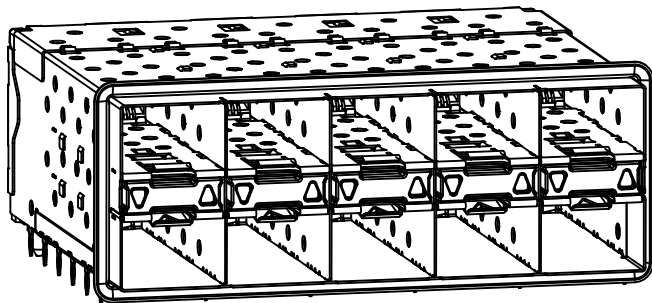
| CLRFY CAGE APPROVE EC NO: UCP2011-0874 DRAWN: BBARKER 2010/12/13 CHKD: SMILLER APPR: SMILLER 2011/05/02 | QUALITY SYMBOLS ▽=0 ▽=0 | GENERAL TOLERANCES (UNLESS SPECIFIED) | | DIMENSION STYLE MM ONLY | SCALE 3:1 | DESIGN UNITS METRIC | THIRD ANGLE PROJECTION | | | | | | | | | | | | | | | | |
|---|-------------------------------|---|-------|--------------------------------------|---------------------|-------------------------------|------------------------|-------|-------|----------|-------|-------|----------|--------|-------|---------|--------|-------|-------------------------------------|--|---|--|--|
| | | <table border="1"> <thead> <tr> <th></th> <th>mm</th> <th>INCH</th> </tr> </thead> <tbody> <tr> <td>4 PLACES</td> <td>± ---</td> <td>± ---</td> </tr> <tr> <td>3 PLACES</td> <td>± ---</td> <td>± ---</td> </tr> <tr> <td>2 PLACES</td> <td>± 0.13</td> <td>± ---</td> </tr> <tr> <td>1 PLACE</td> <td>± 0.25</td> <td>± ---</td> </tr> </tbody> </table> | | | mm | INCH | 4 PLACES | ± --- | ± --- | 3 PLACES | ± --- | ± --- | 2 PLACES | ± 0.13 | ± --- | 1 PLACE | ± 0.25 | ± --- | DRAWN BY DATE BBARKER 2010/09/28 | | TITLE STACKED SFP+ 2X5 ASS'Y WITH ENHANCED EMI AND ELASTOMERIC GASKET | | |
| | | | mm | INCH | | | | | | | | | | | | | | | | | | | |
| | | 4 PLACES | ± --- | ± --- | | | | | | | | | | | | | | | | | | | |
| 3 PLACES | ± --- | ± --- | | | | | | | | | | | | | | | | | | | | | |
| 2 PLACES | ± 0.13 | ± --- | | | | | | | | | | | | | | | | | | | | | |
| 1 PLACE | ± 0.25 | ± --- | | | | | | | | | | | | | | | | | | | | | |
| APPROVED BY DATE SMILLER 2011/05/02 | | CHECKED BY DATE BSMART | | | | | | | | | | | | | | | | | | | | | |
| MATERIAL NO. SEE TABLE | | DRAFT WHERE APPLICABLE MUST REMAIN WITHIN DIMENSIONS | | MOLEX MOLEX INCORPORATED | | | SHEET NO. 1 OF 4 | | | | | | | | | | | | | | | | |
| THIS DRAWING CONTAINS INFORMATION THAT IS PROPRIETARY TO MOLEX INCORPORATED AND SHOULD NOT BE USED WITHOUT WRITTEN PERMISSION | | | | DOCUMENT NO. SD-76093-0002 | | | | | | | | | | | | | | | | | | | |



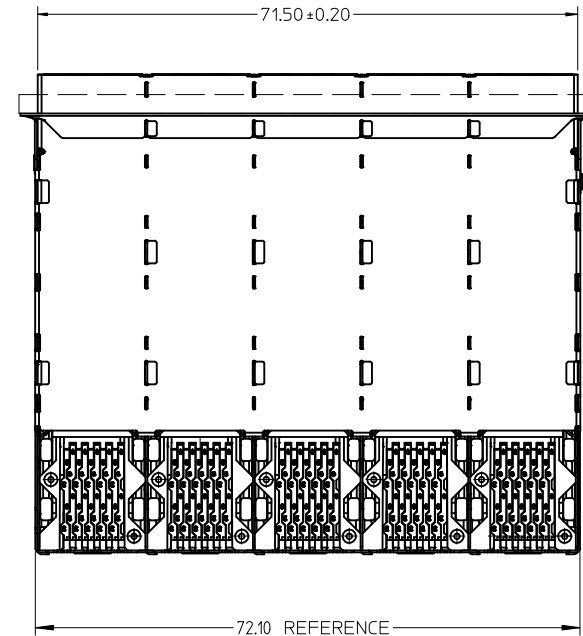
WITH INNER AND OUTER LIGHT PIPES



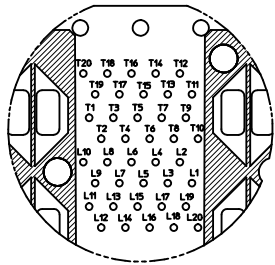
WITH INNER LIGHT PIPES



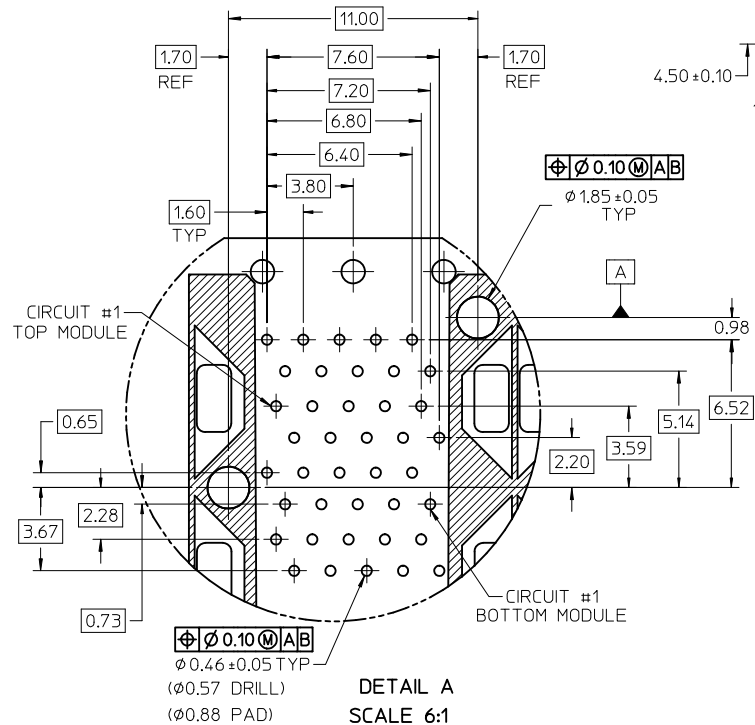
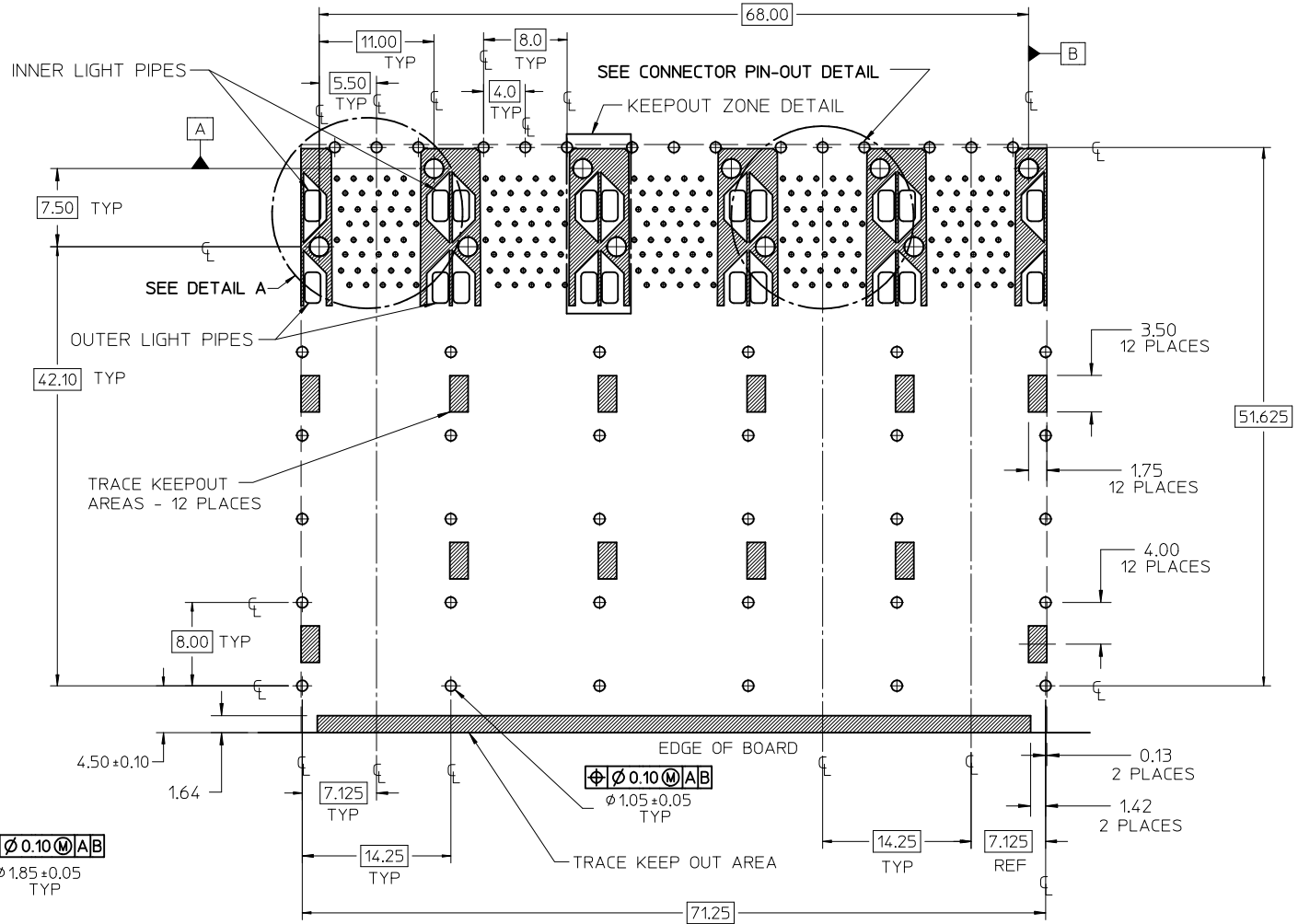
760937003
WITH OUTER LIGHT PIPES



| | | | | | | | |
|---|--|---|--|--|-------------------------------|------------------------|------------------------|
| SEE SHEET 1 EC NO: UCP2011-0874 DRWN:BBARKER 2010/12/13 CHKD: APPR:SMILLER 2011/05/02 | QUALITY SYMBOLS ▼=0 ▽=0 | GENERAL TOLERANCES (UNLESS SPECIFIED) | | DIMENSION STYLE MM ONLY | SCALE 2:1 | DESIGN UNITS METRIC | THIRD ANGLE PROJECTION |
| | | mm INCH | DRAWN BY DATE BBARKER 2010/09/28 | TITLE STACKED SFP+ 2X5 ASS'Y WITH ENHANCED EMI AND ELASTOMERIC GASKET | | | |
| | | 4 PLACES ± --- ± --- 3 PLACES ± --- ± --- 2 PLACES ± 0.13 ± --- 1 PLACE ± 0.25 ± --- | CHECKED BY DATE BSMART | MOLEX INCORPORATED | | | |
| | | ANGULAR ± 5 ° | APPROVED BY DATE SMILLER 2011/05/02 | MATERIAL NO. SEE TABLE | DOCUMENT NO. SD-76093-0002 | SHEET NO. 2 OF 4 | |
| | DRAFT WHERE APPLICABLE MUST REMAIN WITHIN DIMENSIONS | THIS DRAWING CONTAINS INFORMATION THAT IS PROPRIETARY TO MOLEX INCORPORATED AND SHOULD NOT BE USED WITHOUT WRITTEN PERMISSION | | | | | |



CONNECTOR PIN-OUT DETAIL
SCALE 4:1

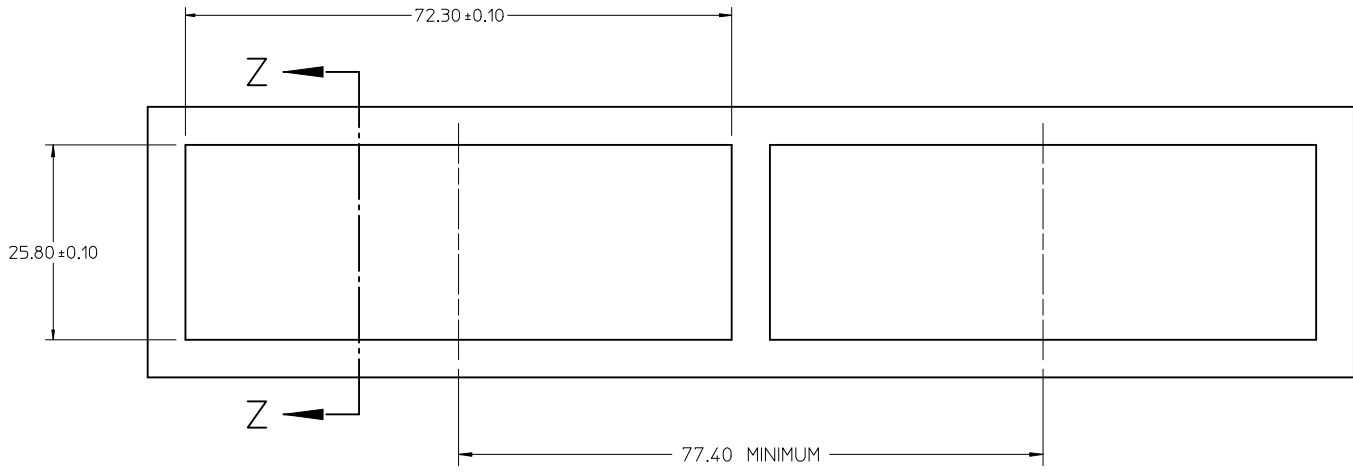


DETAIL A
SCALE 6:1

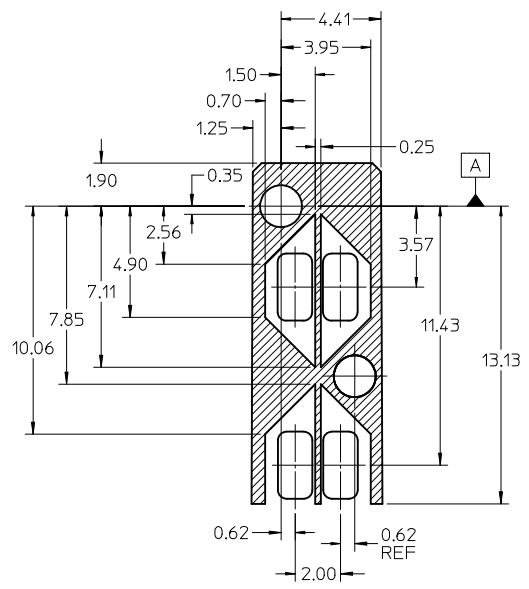
RECOMMENDED PCB LAYOUT - COMPONENT SIDE
RECOMMENDED PCB THICKNESS - 2.36 MM (.093 INCH)

THE ENTIRE AREA OF THE CONNECTOR FOOTPRINT
TO BE CONSIDERED THE KEEP OUT AREA FOR COMPONENTS
THIS AREA IS INDICATED BY THE DASHED LINE

| | | | | | | | | |
|--|-------------------------------|--|-------|----------------------------|---------------------|---|-------------------------------------|--|
| SEE SHEET 1 EC NO: UCP2011-0874 DRWN:BBARKER 2010/12/13 CHKD: APPR:SMILLER 2011/05/02 REV: B | QUALITY SYMBOLS ▽=0 ▽=0 | GENERAL TOLERANCES (UNLESS SPECIFIED) | | DIMENSION STYLE MM ONLY | SCALE 3:1 | DESIGN UNITS METRIC | THIRD ANGLE PROJECTION | |
| | | mm | INCH | DRAWN BY BBARKER | DATE 2010/09/28 | STACKED SFP+ 2X5 ASS'Y WITH ENHANCED EMI AND ELASTOMERIC GASKET | | |
| | | 4 PLACES ± --- | ± --- | CHECKED BY BSMART | DATE | | | |
| | | DRAFT WHERE APPLICABLE MUST REMAIN WITHIN DIMENSIONS | | APPROVED BY SMILLER | | DATE 2011/05/02 | MOLEX INCORPORATED SD-76093-0002 | |
| MATERIAL NO. | | SEE TABLE | | DOCUMENT NO. | SHEET NO. 3 OF 4 | | | |
| THIS DRAWING CONTAINS INFORMATION THAT IS PROPRIETARY TO MOLEX INCORPORATED AND SHOULD NOT BE USED WITHOUT WRITTEN PERMISSION | | | | | | | | |

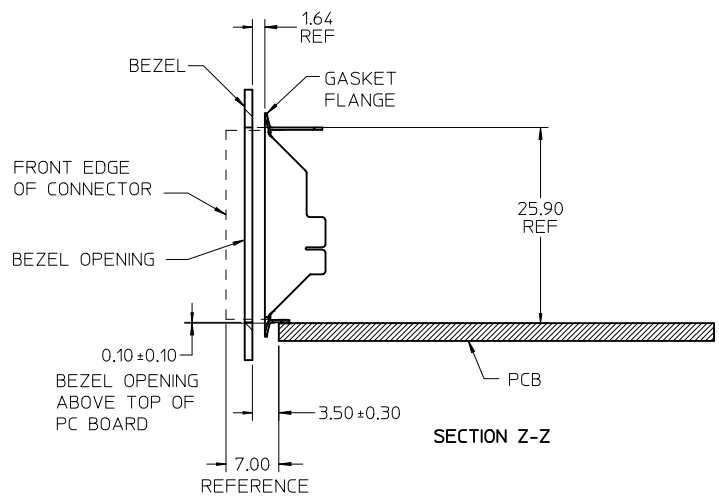


BEZEL CUTOUT CENTER SPACING DETAIL
BEZEL THICKNESS 0.8 TO 2.6

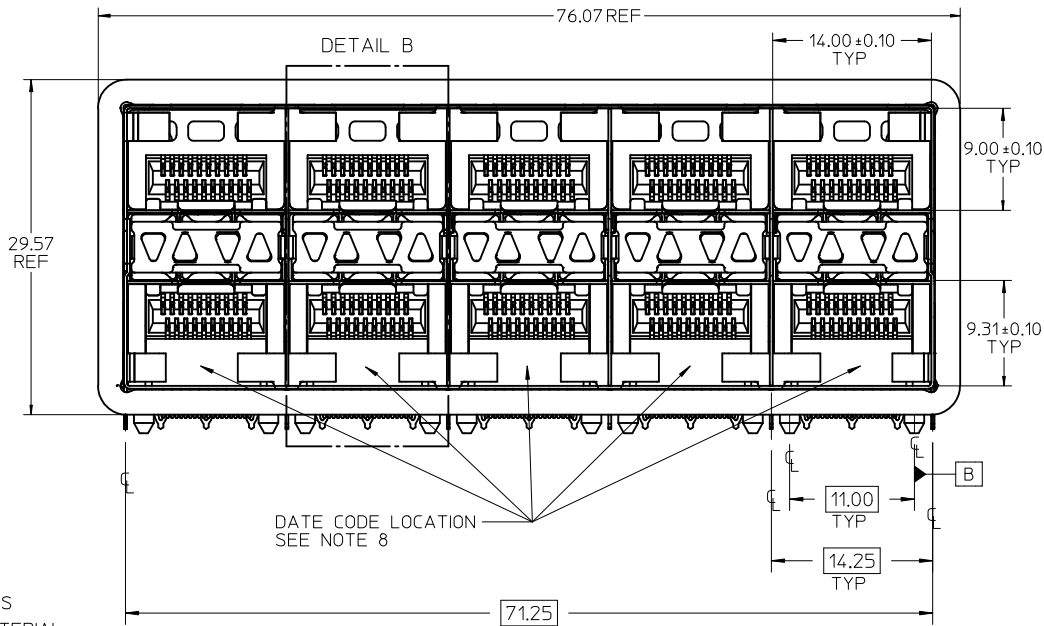


KEEPOUT ZONE DETAIL
SCALE 6:1

THE HATCHED AREA IN THIS VIEW INDICATES ZONES THAT ARE OCCUPIED BY THE PLASTIC HOUSING THAT SEATS AGAINST THE PCB AND BY THE VERTICAL METAL CAGE WALL THAT STOPS JUST SHORT OF THE PCB



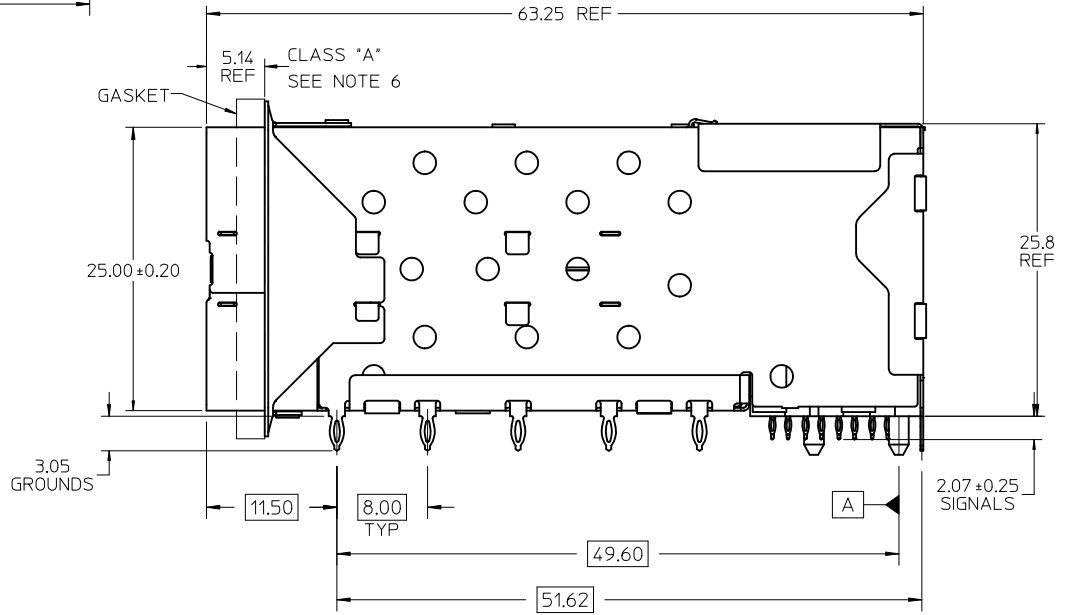
| SEE SHEET 1 EC NO: UCP2011-0874 DRW: BBARKER 2010/12/13 CHKD: MILLER APPR: SMILLER 2011/05/02 | QUALITY SYMBOLS ▽=0 ▽=0 | GENERAL TOLERANCES (UNLESS SPECIFIED) <table border="1"> <tr> <th></th> <th>mm</th> <th>INCH</th> </tr> <tr> <td>4 PLACES</td> <td>± 0.13</td> <td>± 0.005</td> </tr> <tr> <td>3 PLACES</td> <td>± 0.25</td> <td>± 0.010</td> </tr> <tr> <td>2 PLACES</td> <td>± 0.38</td> <td>± 0.015</td> </tr> <tr> <td>1 PLACE</td> <td>± 0.51</td> <td>± 0.020</td> </tr> </table> | | mm | INCH | 4 PLACES | ± 0.13 | ± 0.005 | 3 PLACES | ± 0.25 | ± 0.010 | 2 PLACES | ± 0.38 | ± 0.015 | 1 PLACE | ± 0.51 | ± 0.020 | DIMENSION STYLE MM ONLY DRAWN BY: BBARKER DATE: 2010/09/28 CHECKED BY: BSMART APPROVED BY: SMILLER DATE: 2011/05/02 | SCALE: 2:1 DESIGN UNITS: METRIC THIRD ANGLE PROJECTION | TITLE: STACKED SFP+ 2X5 ASS'Y WITH ENHANCED EMI AND ELASTOMERIC GASKET MOLEX INCORPORATED DOCUMENT NO. SD-76093-0002 SHEET NO. 4 OF 4 |
|--|-------------------------------|--|------|----|------|----------|--------|---------|----------|--------|---------|----------|--------|---------|---------|--------|---------|--|--|--|
| | | mm | INCH | | | | | | | | | | | | | | | | | |
| 4 PLACES | ± 0.13 | ± 0.005 | | | | | | | | | | | | | | | | | | |
| 3 PLACES | ± 0.25 | ± 0.010 | | | | | | | | | | | | | | | | | | |
| 2 PLACES | ± 0.38 | ± 0.015 | | | | | | | | | | | | | | | | | | |
| 1 PLACE | ± 0.51 | ± 0.020 | | | | | | | | | | | | | | | | | | |
| DRAFT WHERE APPLICABLE MUST REMAIN WITHIN DIMENSIONS SEE TABLE THIS DRAWING CONTAINS INFORMATION THAT IS PROPRIETARY TO MOLEX INCORPORATED AND SHOULD NOT BE USED WITHOUT WRITTEN PERMISSION | | | | | | | | | | | | | | | | | | | | |



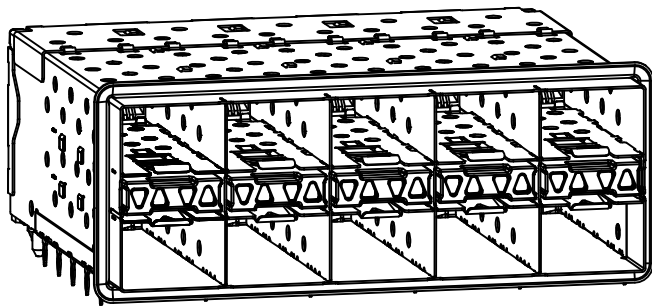
| PART NUMBER | DESCRIPTION | VIEW | COMPLIANT TAIL PLATING |
|-------------|---------------|----------|------------------------|
| 760930001 | 4 LIGHT PORTS | SEE PG 2 | MATTE TIN / LEAD |
| 760930002 | INNER 2 PORTS | SEE PG 2 | MATTE TIN / LEAD |
| 760930003 | OUTER 2 PORTS | SEE PG 2 | MATTE TIN / LEAD |
| 760935001 | 4 LIGHT PORTS | SEE PG 2 | MATTE TIN |
| 760935002 | INNER 2 PORTS | SEE PG 2 | MATTE TIN |
| 760935003 | OUTER 2 PORTS | SEE PG 2 | MATTE TIN |

NOTES

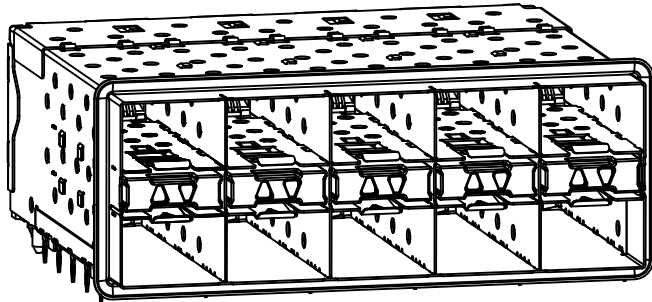
- MATERIAL:
 - CAGE: NICKEL SILVER, THICKNESS: 0.25mm
 - CONNECTOR HOUSING: GLASS FILLED LIQUID CRYSTAL POLYMER (LCP), UL 94V-0, COLOR: BLACK
 - OVERMOLD TERMINAL HOUSING: GLASS FILLED LIQUID CRYSTAL POLYMER (LCP), UL 94V-0, COLOR: BLACK
 - TERMINALS: TIN BRASS
 - EMI GASKET: CONDUCTIVE ELASTOMER
 - LIGHTPIPE HOUSING: ZINC
 - LIGHTPIPES: POLYCARBONATE, COLOR: CLEAR
- FINISHES:
 - TERMINALS: CONTACT AREA: 0.76 MICROMETERS MINIMUM HARD GOLD OVER 1.27 MICROMETERS MINIMUM NICKEL.
 - COMPLIANT TAIL - MATTE TIN/LEAD OPTION: 0.76 TO 1.52 MICROMETERS 90/10 MATTE TIN-LEAD OVER 0.76 MICROMETERS MINIMUM NICKEL.
 - COMPLIANT TAIL - MATTE TIN OPTION: 0.76 TO 1.52 MICROMETERS MATTE TIN OVER 0.76 MICROMETERS MINIMUM NICKEL.
 - LIGHT PIPE HOUSING: 80 MICROMETERS MINIMUM NICKEL OVER COPPER
- REFER TO PS-75310-001 PRODUCT SPEC FOR ALL ELECTRICAL, MECHANICAL AND ENVIRONMENTAL SPECIFICATIONS.
- LIGHT PIPE PAD LAYOUT IS FOR 0805 LOW-PROFILE LED PACKAGE. FOR OTHER RECOMMENDED LAYOUTS REFER TO MOLEX'S REPORT TS-75310-001
- REFER TO PK-75733-001 FOR ALL PACKAGING SPECIFICATIONS.
- ALL EXTERIOR SURFACES TO BE CLASS "B" SURFACES EXCEPT THE UNDER SIDE OF THE CAGE WHERE THE PCB WOULD BE LOCATED AND AS NOTED. THE SURFACES TO CONFORM TO THE MOLEX COSMETIC DOC PS-45499-002.
- REFER TO AS-76090-001 FOR HIGH SPEED ROUTING RECOMMENDATIONS.
- DATE CODE LOCATION IS SHOWN ABOVE.
 - DATE CODE FORMAT: DDDY MX A1
 - DDD = DAY OF THE YEAR
 - Y = YEAR
 - MX = MOLEX
 - A = ALPHA CHARACTER - INDICATES MANUFACTURING LINE
 - 1 = NUMERIC CHARACTER - INDICATES PRODUCTION SHIFT



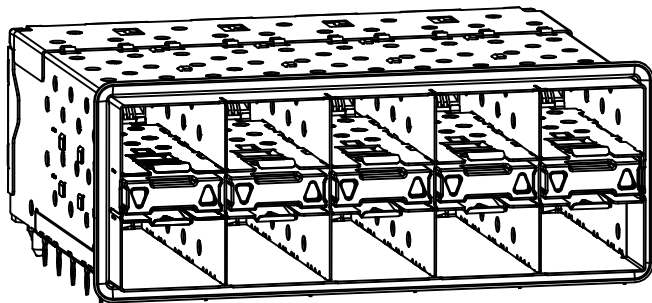
| | | | | | | | | | |
|--|--------------------------------------|---|------------|-----------------------------------|------------|---|-------------------------------|------------------------|--|
| ADD NOTE 7 & 8 EC NO: UCP2011-2594 DRWN: MWOLFE 2011/03/07 CHKD: BARKER 2011/03/07 APPR: SMILLER 2011/09/20 | QUALITY SYMBOLS ▽=0 ▽=0 ▽=0 | GENERAL TOLERANCES (UNLESS SPECIFIED) | | DIMENSION STYLE MM ONLY | | SCALE 3:1 | DESIGN UNITS METRIC | THIRD ANGLE PROJECTION | |
| | | mm | INCH | DRAWN BY | DATE | STACKED SFP+ 2X5 ASS'Y WITH ELASTOMERIC GASKET AND LIGHTPIPES MOLEX INCORPORATED MATERIAL NO. SEE TABLE DOCUMENT NO. SD-76093-001 SHEET NO. 1 OF 4 | | | |
| | | 4 PLACES ± --- ± --- | | JL LONG | 01-18-2007 | | | | |
| | | 3 PLACES ± --- ± --- | | CHECKED BY | DATE | | | | |
| 2 PLACES ± 0.13 ± --- | | MSANDBERG | 01-18-2007 | | | | | | |
| | | 1 PLACE ± 0.25 ± --- | | APPROVED BY | DATE | | | | |
| | | ANGULAR ± 5 ° | | RNELSON | 01-18-2007 | | | | |
| DRAFT WHERE APPLICABLE MUST REMAIN WITHIN DIMENSIONS | | SEE TABLE | | | | | | | |
| | | THIS DRAWING CONTAINS INFORMATION THAT IS PROPRIETARY TO MOLEX INCORPORATED AND SHOULD NOT BE USED WITHOUT WRITTEN PERMISSION | | | | | | | |



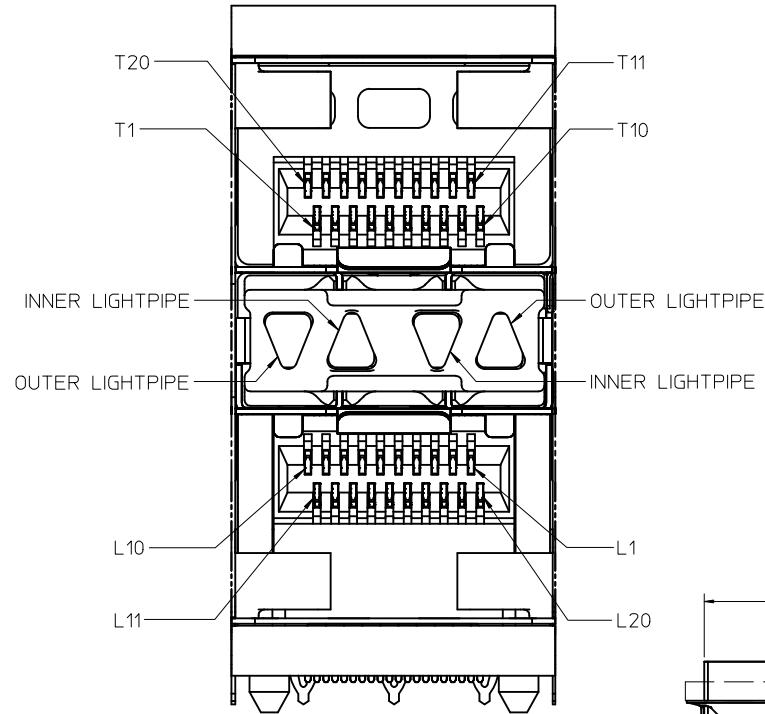
760930001 AND 760935001
WITH INNER AND OUTER LIGHT PIPES



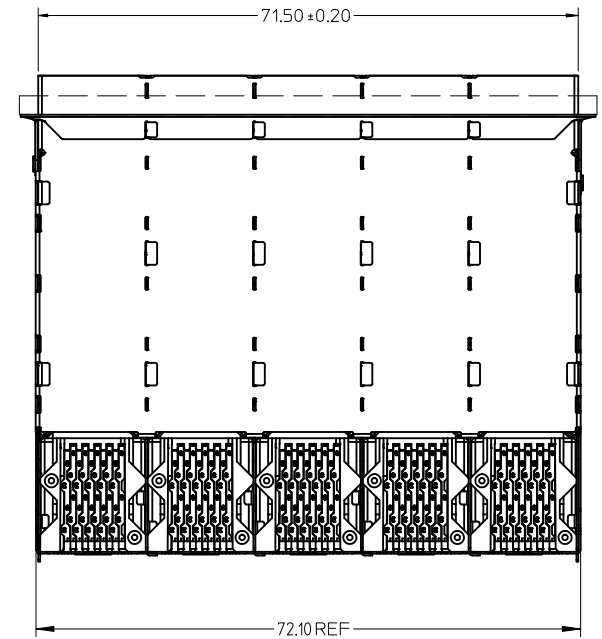
760930002 AND 760935002
WITH INNER LIGHTPIPER



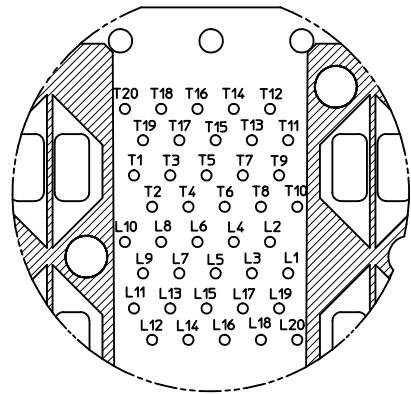
760930003 AND 760935003
WITH OUTER LIGHTPIPER



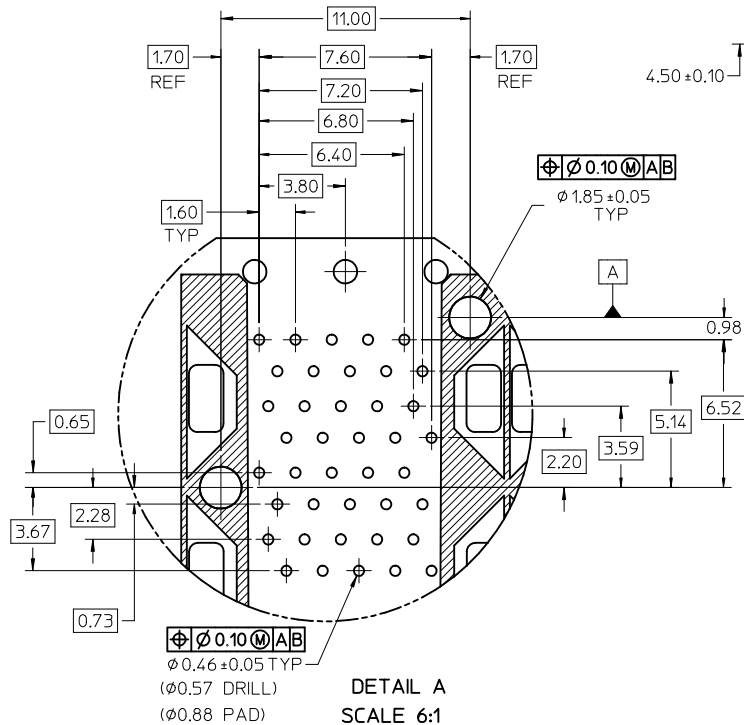
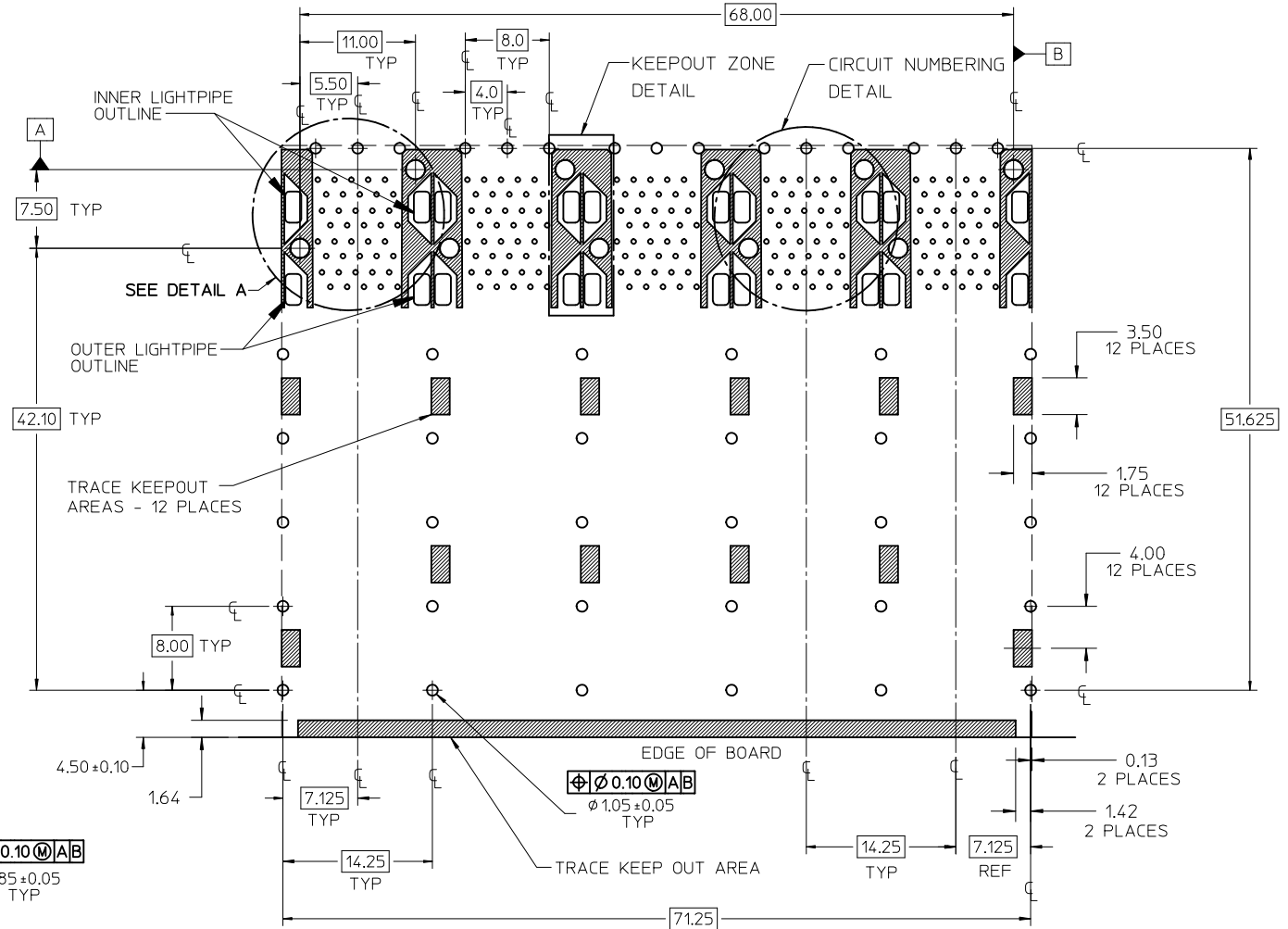
DETAIL B
SCALE 6:1
CIRCUIT NUMBERING
AND LIGHTPIPE
IDENTIFICATION



| ADD DETAIL B EC NO: UCP2011-2594 DRWN:WOLFE 2011/03/07 CHKD:BBARKER 2011/03/07 APPR:SMILLER 2011/09/20 | QUALITY SYMBOLS ▽=0 ▽=0 ▽=0 | GENERAL TOLERANCES (UNLESS SPECIFIED) <table border="1"> <thead> <tr> <th></th> <th>mm</th> <th>INCH</th> </tr> </thead> <tbody> <tr> <td>4 PLACES</td> <td>± .005</td> <td>± .0004</td> </tr> <tr> <td>3 PLACES</td> <td>± .008</td> <td>± .0003</td> </tr> <tr> <td>2 PLACES</td> <td>± 0.13</td> <td>± .005</td> </tr> <tr> <td>1 PLACE</td> <td>± 0.25</td> <td>± .010</td> </tr> </tbody> </table> | | mm | INCH | 4 PLACES | ± .005 | ± .0004 | 3 PLACES | ± .008 | ± .0003 | 2 PLACES | ± 0.13 | ± .005 | 1 PLACE | ± 0.25 | ± .010 | DIMENSION STYLE MM ONLY | SCALE 2:1 | DESIGN UNITS METRIC | THIRD ANGLE PROJECTION |
|---|--------------------------------------|--|---|---|-------------------------------------|----------|--------|---------|----------|--------|---------|----------|--------|--------|---------|--------|--------|-----------------------------------|---------------------|-------------------------------|------------------------|
| | | mm | INCH | | | | | | | | | | | | | | | | | | |
| | 4 PLACES | ± .005 | ± .0004 | | | | | | | | | | | | | | | | | | |
| | 3 PLACES | ± .008 | ± .0003 | | | | | | | | | | | | | | | | | | |
| 2 PLACES | ± 0.13 | ± .005 | | | | | | | | | | | | | | | | | | | |
| 1 PLACE | ± 0.25 | ± .010 | | | | | | | | | | | | | | | | | | | |
| DRAWN BY JLONG | DATE 01-18-2007 | CHECKED BY MSANDBERG | DATE 01-18-2007 | TITLE STACKED SFP+ 2X5 ASS'Y WITH ELASTOMERIC GASKET AND LIGHTPIPER | | | | | | | | | | | | | | | | | |
| APPROVED BY RNELSON | DATE 01-18-2007 | MATERIAL NO. SEE TABLE | | | DOCUMENT NO. SD-76093-001 | | | | | | | | | | | | | | | | |
| DRAFT WHERE APPLICABLE MUST REMAIN WITHIN DIMENSIONS | | SIZE C | THIS DRAWING CONTAINS INFORMATION THAT IS PROPRIETARY TO MOLEX INCORPORATED AND SHOULD NOT BE USED WITHOUT WRITTEN PERMISSION | | | | | | | | | | | | | | | | | | |



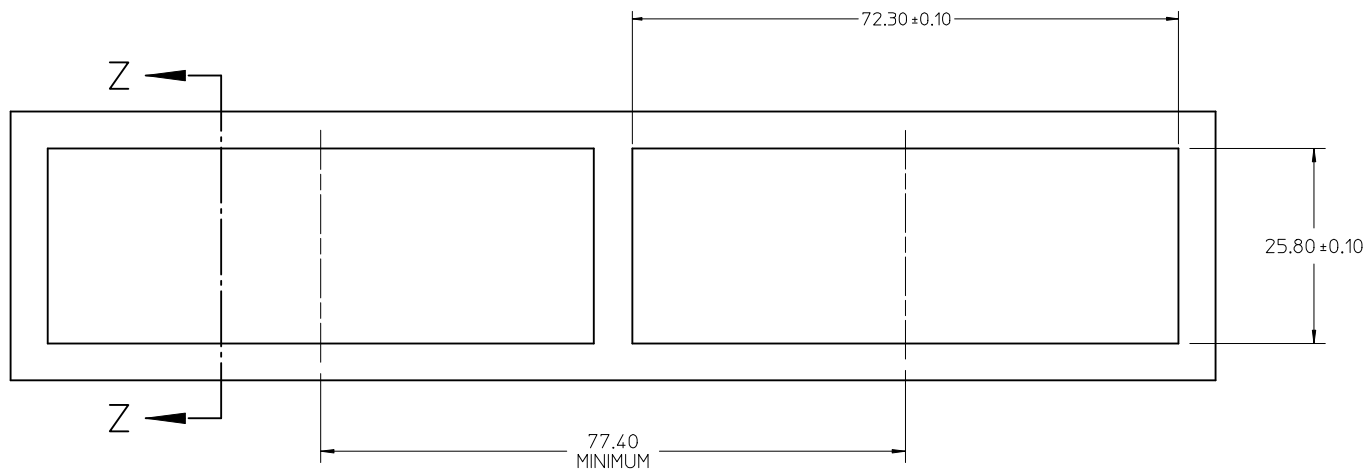
CIRCUIT NUMBERING
COMPONENT SIDE OF BOARD
SCALE 6:1



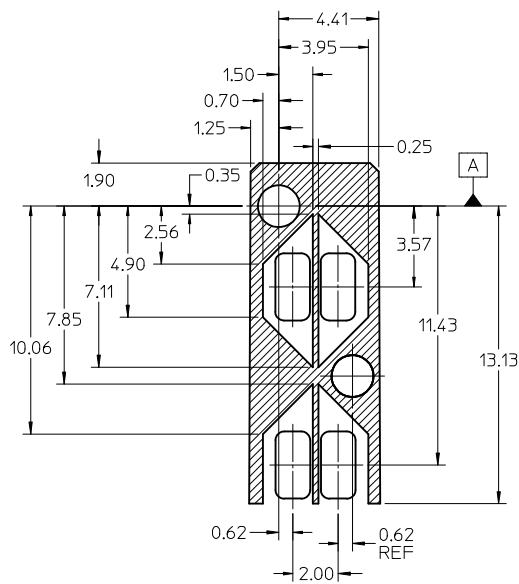
RECOMMENDED PCB LAYOUT - COMPONENT SIDE
RECOMMENDED PCB THICKNESS - 2.36 MM (.093 INCH)

THE ENTIRE AREA OF THE CONNECTOR FOOTPRINT
TO BE CONSIDERED THE KEEP OUT AREA FOR COMPONENTS
THIS AREA IS INDICATED BY THE DASHED LINE

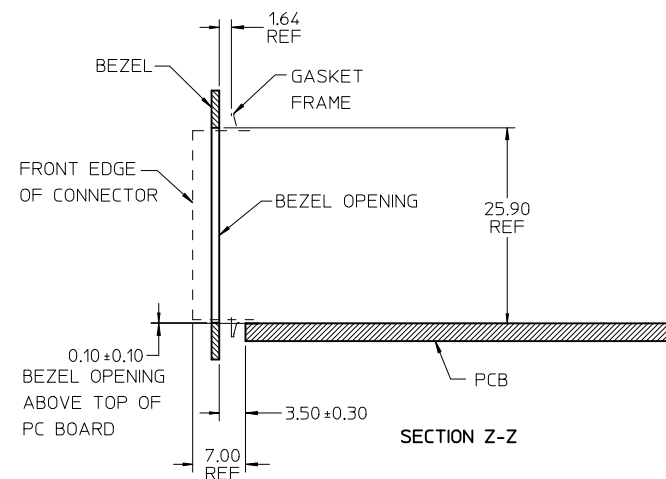
| | | | | | | | | | | |
|---|---|---------------------------------------|-------|--|-------|---|------------------------|--|--|--|
| CHG DETAIL CALLOUT EC NO: UCP2011-2594 DRWN: MWOLFE 2011/03/07 CHKD: BBARKER 2011/03/07 APPR: SMILLER 2011/09/20 | QUALITY SYMBOLS $\nabla = 0$ $\nabla = 0$ $\nabla = 0$ | GENERAL TOLERANCES (UNLESS SPECIFIED) | | DIMENSION STYLE MM ONLY | | SCALE 3:1 | DESIGN UNITS METRIC | THIRD ANGLE PROJECTION | | |
| | | | | mm | INCH | DRAWN BY JLONG | DATE 01-18-2007 | STACKED SFP+ 2X5 ASS'Y WITH ELASTOMERIC GASKET AND LIGHTPIPES | | |
| | | | | 4 PLACES ± --- | ± --- | CHECKED BY MSANDBERG | DATE 01-18-2007 | | | |
| | | | | 3 PLACES ± --- | ± --- | APPROVED BY RNELSON | DATE 01-18-2007 | MOLEX INCORPORATED DOCUMENT NO. SD-76093-001 SHEET NO. 3 OF 4 | | |
| | | 2 PLACES ± 0.13 | ± --- | DRAFT WHERE APPLICABLE MUST REMAIN WITHIN DIMENSIONS | | SEE TABLE THIS DRAWING CONTAINS INFORMATION THAT IS PROPRIETARY TO MOLEX INCORPORATED AND SHOULD NOT BE USED WITHOUT WRITTEN PERMISSION | | | | |



BEZEL CUTOUT CENTER SPACING DETAIL
BEZEL THICKNESS 0.8-2.6



KEEPOUT ZONE DETAIL
SCALE 6:1



| ADD SECOND BEZEL CUTOUT EC NO: UCP2011-2594 DRWN: MWOLFE 2011/03/07 CHKD: BARKER 2011/03/07 APPR: MILLER 2011/09/20 | QUALITY SYMBOLS ∇=0 ∇=0 ∇=0 | GENERAL TOLERANCES (UNLESS SPECIFIED) | DIMENSION STYLE MM ONLY | SCALE 2:1 | DESIGN UNITS METRIC | THIRD ANGLE PROJECTION | | | | | | | | | | | | | | | | | | | | | | | | | | |
|---|--------------------------------------|---|-------------------------------------|----------------------------|-------------------------------|------------------------|-------|-------|----------|-------|-------|----------|--------|-------|---------|--------|-------|---|----------|------|-------|------------|------------|------|-----------|------------|-------------|------|---------|------------|--|--|
| | | <table border="1"> <thead> <tr> <th></th> <th>mm</th> <th>INCH</th> </tr> </thead> <tbody> <tr> <td>4 PLACES</td> <td>± ---</td> <td>± ---</td> </tr> <tr> <td>3 PLACES</td> <td>± ---</td> <td>± ---</td> </tr> <tr> <td>2 PLACES</td> <td>± 0.13</td> <td>± ---</td> </tr> <tr> <td>1 PLACE</td> <td>± 0.25</td> <td>± ---</td> </tr> </tbody> </table> | | mm | INCH | 4 PLACES | ± --- | ± --- | 3 PLACES | ± --- | ± --- | 2 PLACES | ± 0.13 | ± --- | 1 PLACE | ± 0.25 | ± --- | <table border="1"> <thead> <tr> <th>DRAWN BY</th> <th>DATE</th> </tr> </thead> <tbody> <tr> <td>JLONG</td> <td>01-18-2007</td> </tr> <tr> <th>CHECKED BY</th> <th>DATE</th> </tr> <tr> <td>MSANDBERG</td> <td>01-18-2007</td> </tr> <tr> <th>APPROVED BY</th> <th>DATE</th> </tr> <tr> <td>RNELSON</td> <td>01-18-2007</td> </tr> </tbody> </table> | DRAWN BY | DATE | JLONG | 01-18-2007 | CHECKED BY | DATE | MSANDBERG | 01-18-2007 | APPROVED BY | DATE | RNELSON | 01-18-2007 | STACKED SFP+ 2X5 ASS'Y WITH ELASTOMERIC GASKET AND LIGHTPIPES | |
| | | | mm | INCH | | | | | | | | | | | | | | | | | | | | | | | | | | | | |
| | | 4 PLACES | ± --- | ± --- | | | | | | | | | | | | | | | | | | | | | | | | | | | | |
| 3 PLACES | ± --- | ± --- | | | | | | | | | | | | | | | | | | | | | | | | | | | | | | |
| 2 PLACES | ± 0.13 | ± --- | | | | | | | | | | | | | | | | | | | | | | | | | | | | | | |
| 1 PLACE | ± 0.25 | ± --- | | | | | | | | | | | | | | | | | | | | | | | | | | | | | | |
| DRAWN BY | DATE | | | | | | | | | | | | | | | | | | | | | | | | | | | | | | | |
| JLONG | 01-18-2007 | | | | | | | | | | | | | | | | | | | | | | | | | | | | | | | |
| CHECKED BY | DATE | | | | | | | | | | | | | | | | | | | | | | | | | | | | | | | |
| MSANDBERG | 01-18-2007 | | | | | | | | | | | | | | | | | | | | | | | | | | | | | | | |
| APPROVED BY | DATE | | | | | | | | | | | | | | | | | | | | | | | | | | | | | | | |
| RNELSON | 01-18-2007 | | | | | | | | | | | | | | | | | | | | | | | | | | | | | | | |
| DRAFT WHERE APPLICABLE MUST REMAIN WITHIN DIMENSIONS | | MATERIAL NO. SEE TABLE | DOCUMENT NO. SD-76093-001 | SHEET NO. 4 OF 4 | | | | | | | | | | | | | | | | | | | | | | | | | | | | |