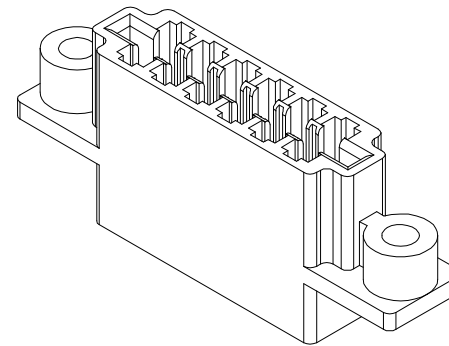
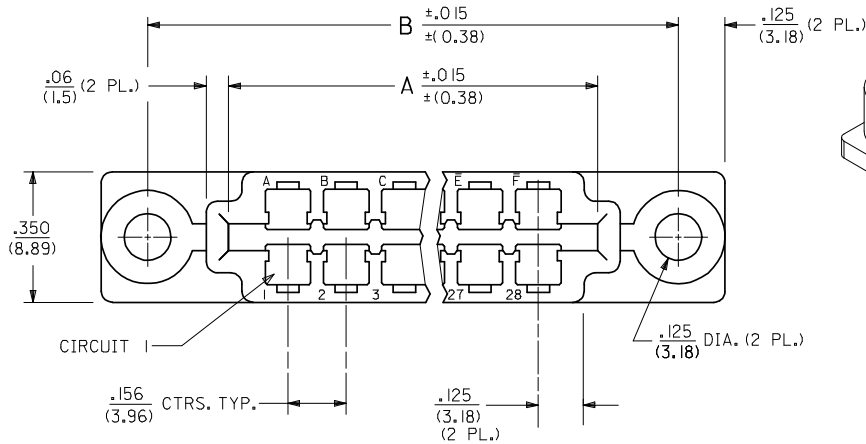


A	B	C	D	E	F	H	J	K	L	M	N	P	R	S	T	U	V	W	X	Y	Z	Ā	Ē	Ĉ	Ď	Ē	Ĕ	Ė	
I	2	3	4	5	6	7	8	9	10	11	12	13	14	15	16	17	18	19	20	21	22	23	24	25	26	27	28		

CIRCUIT IDENTIFICATION
ON TOP SURFACE

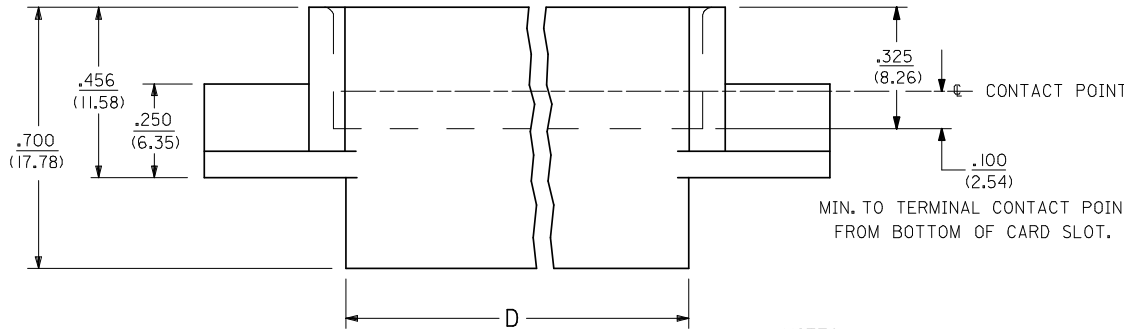


CKTS	DIM. "A"	DIM. "B" (W/FLANGES)	DIM. "C"	DIM. "D"
6	1.105 (28.07)	1.531 (38.89)	1.085 (27.56)	1.02 (26.0)
8	1.415 (35.94)	1.767 (44.88)	1.395 (35.43)	1.34 (33.9)
10	1.729 (43.92)	2.156 (54.76)	1.709 (43.41)	1.65 (41.9)
12	2.041 (51.84)	2.465 (62.61)	2.021 (51.33)	1.96 (49.8)
15	2.510 (63.75)	2.938 (74.63)	2.490 (63.25)	2.43 (61.7)
18	2.955 (75.06)	3.406 (86.51)	2.935 (74.55)	2.90 (73.6)
22	3.610 (91.69)	4.039 (102.59)	3.590 (91.19)	3.52 (89.4)
24	3.922 (99.62)	4.350 (110.49)	3.902 (99.11)	3.83 (97.3)
25	4.078 (103.58)	4.503 (114.38)	4.058 (103.07)	3.99 (101.3)
28	4.549 (115.54)	4.969 (126.21)	4.529 (115.04)	4.46 (113.2)

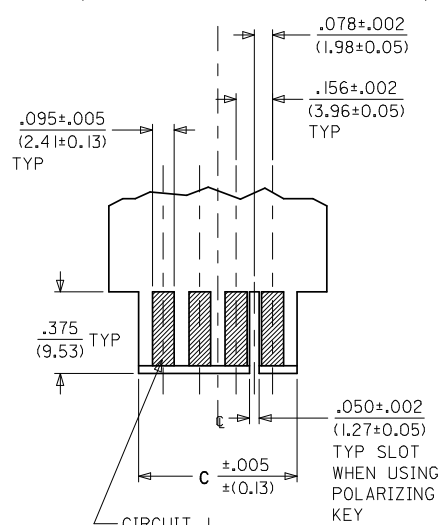
LEGEND
4338-***

CIRCUIT SIZE
I=W.O./FLANGES
BLANK=W./FLANGES

R=W./POLARIZATION RIB (SEE SHEET 2)
BLANK= W.O./POLARIZATION RIB



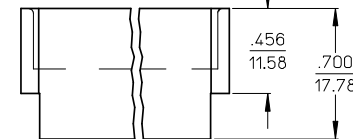
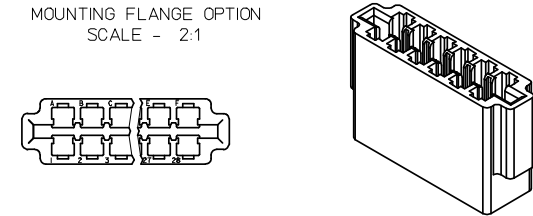
RECOMMENDED PCB LAYOUT
PCB THICKNESS: .062/(1.57)



NOTES:

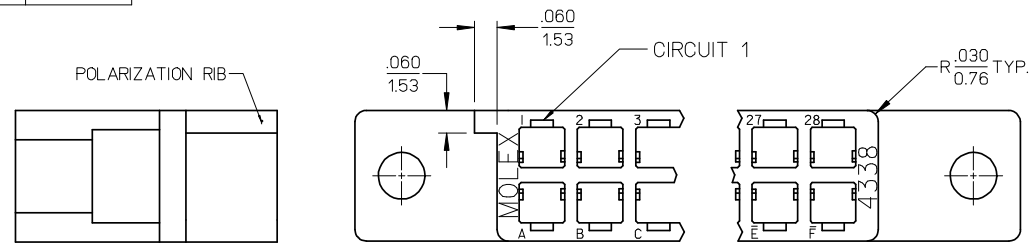
1. MATERIAL: GLASS FILLED POLYESTER, UL94V-0, MOLDED BLACK.
2. FINISH: N/A
3. THIS PRODUCT CONFORMS TO PRODUCT SPECIFICATION PS-09-50.
4. PARTS ARE BULK PACKAGED.
5. THIS HOUSING ACCEPTS THE FOLLOWING TERMINALS:
CRIMP TERMINAL NUMBER: 4366 AND 4573
SOLDER LUG TERMINAL NUMBER: 4574

TYPICAL HOUSING WITHOUT MOUNTING FLANGE OPTION
SCALE - 2:1



ADD POL. RIB OPTION EC NO: UCP2008-2736 DRAWN: KIPPER 2008/05/27 CHKD: SSOUSEK 2008/05/27 APPR: FSMITH 2008/05/28	QUALITY SYMBOLS ▽=0 ▽=0	GENERAL TOLERANCES (UNLESS SPECIFIED)		DIMENSION STYLE IN/MM		SCALE 4:1	DESIGN UNITS INCH	THIRD ANGLE PROJECTION	
		mm	INCH	DRAWN BY ROBERTS	DATE 1991/09/09	TITLE HOUSING, DOUBLE ROW CONNECTOR			
DESCRIPTION D	REV	4 PLACES	±.010	±.010	CHECKED BY PATEL	DATE 1991/09/09	MOLEX INCORPORATED		
		3 PLACES	±.010	±.010	APPROVED BY LENZ	DATE 1991/09/09			
DRAFT WHERE APPLICABLE MUST REMAIN WITHIN DIMENSIONS		2 PLACES	±.025	±.014	MATERIAL NO. SEE CHART		DOCUMENT NO. SD-4338	SHEET NO. 1 OF 2	
SH. REV.		1 PLACE	±.035	±.014	THIS DRAWING CONTAINS INFORMATION THAT IS PROPRIETARY TO MOLEX INCORPORATED AND SHOULD NOT BE USED WITHOUT WRITTEN PERMISSION				
		ANGULAR		±1/2°					

	13	12	11	10	9	8	7	6	5	4	3	2	1
J	PART NO.	ENG. NO.		PART NO.	ENG. NO.								
	09-50-6065	4338-6											
	09-50-5065	4338-6I											
	09-50-6085	4338-8											
	09-50-7085	4338-8R											
	09-50-5085	4338-8I											
I	09-50-6105	4338-10											
	09-50-5105	4338-10I											
	09-50-6125	4338-12											
	09-50-5125	4338-12I											
	09-50-6155	4338-15											
	09-50-5155	4338-15I											
	09-50-6185	4338-18											
H	09-50-5185	4338-18I											
	09-50-6225	4338-22											
	09-50-5225	4338-22I											
	09-50-6245	4338-24											
	09-50-5245	4338-24I											
	09-50-6255	4338-25											
G	09-50-5255	4338-25I											
	09-50-6285	4338-28											
	09-50-5285	4338-28I											
F													
E													
D													
C													
B													
A													



SHOWN WITH OPTIONAL POLARIZATION RIB

ADD POL. RIB OPTION EC NO: UCP2008-2736 DRAWN: KKI/PPER 2008/05/27 CHKD: SSO/SEK 2008/05/27 APPR: FSM/LH 2008/05/28	QUALITY SYMBOLS	GENERAL TOLERANCES (UNLESS SPECIFIED)	DIMENSION STYLE	SCALE	DESIGN UNITS	THIRD ANGLE PROJECTION																		
	$\nabla=0$ $\nabla=0$	<table border="1"> <thead> <tr> <th></th> <th>mm</th> <th>INCH</th> </tr> </thead> <tbody> <tr> <td>4 PLACES</td> <td>±---</td> <td>±---</td> </tr> <tr> <td>3 PLACES</td> <td>±---</td> <td>±.010</td> </tr> <tr> <td>2 PLACES</td> <td>±0.25</td> <td>±.014</td> </tr> <tr> <td>1 PLACE</td> <td>±0.35</td> <td>±---</td> </tr> <tr> <td colspan="3">ANGULAR ±1/2°</td> </tr> </tbody> </table>		mm	INCH	4 PLACES	±---	±---	3 PLACES	±---	±.010	2 PLACES	±0.25	±.014	1 PLACE	±0.35	±---	ANGULAR ±1/2°			IN/MM	---	INCH	
		mm	INCH																					
	4 PLACES	±---	±---																					
3 PLACES	±---	±.010																						
2 PLACES	±0.25	±.014																						
1 PLACE	±0.35	±---																						
ANGULAR ±1/2°																								
DESCRIPTION	DRAFT WHERE APPLICABLE MUST REMAIN WITHIN DIMENSIONS	<table border="1"> <thead> <tr> <th>DRAWN BY</th> <th>DATE</th> <th>TITLE</th> </tr> </thead> <tbody> <tr> <td>ROBERTS</td> <td>1991/09/16</td> <td rowspan="3">HOUSING, DOUBLE ROW CONNECTOR</td> </tr> <tr> <td>CHECKED BY</td> <td>DATE</td> </tr> <tr> <td>PATEL</td> <td>1991/09/16</td> </tr> <tr> <td>APPROVED BY</td> <td>DATE</td> <td rowspan="2"> MOLEX INCORPORATED </td> </tr> <tr> <td>LENZ</td> <td>1991/09/16</td> </tr> </tbody> </table>	DRAWN BY	DATE	TITLE	ROBERTS	1991/09/16	HOUSING, DOUBLE ROW CONNECTOR	CHECKED BY	DATE	PATEL	1991/09/16	APPROVED BY	DATE	MOLEX INCORPORATED	LENZ	1991/09/16							
DRAWN BY	DATE	TITLE																						
ROBERTS	1991/09/16	HOUSING, DOUBLE ROW CONNECTOR																						
CHECKED BY	DATE																							
PATEL	1991/09/16																							
APPROVED BY	DATE	MOLEX INCORPORATED																						
LENZ	1991/09/16																							
REV		MATERIAL NO.	SEE CHART	DOCUMENT NO.	SD-4338	SHEET NO.																		
						2 OF 2																		
THIS DRAWING CONTAINS INFORMATION THAT IS PROPRIETARY TO MOLEX INCORPORATED AND SHOULD NOT BE USED WITHOUT WRITTEN PERMISSION																								