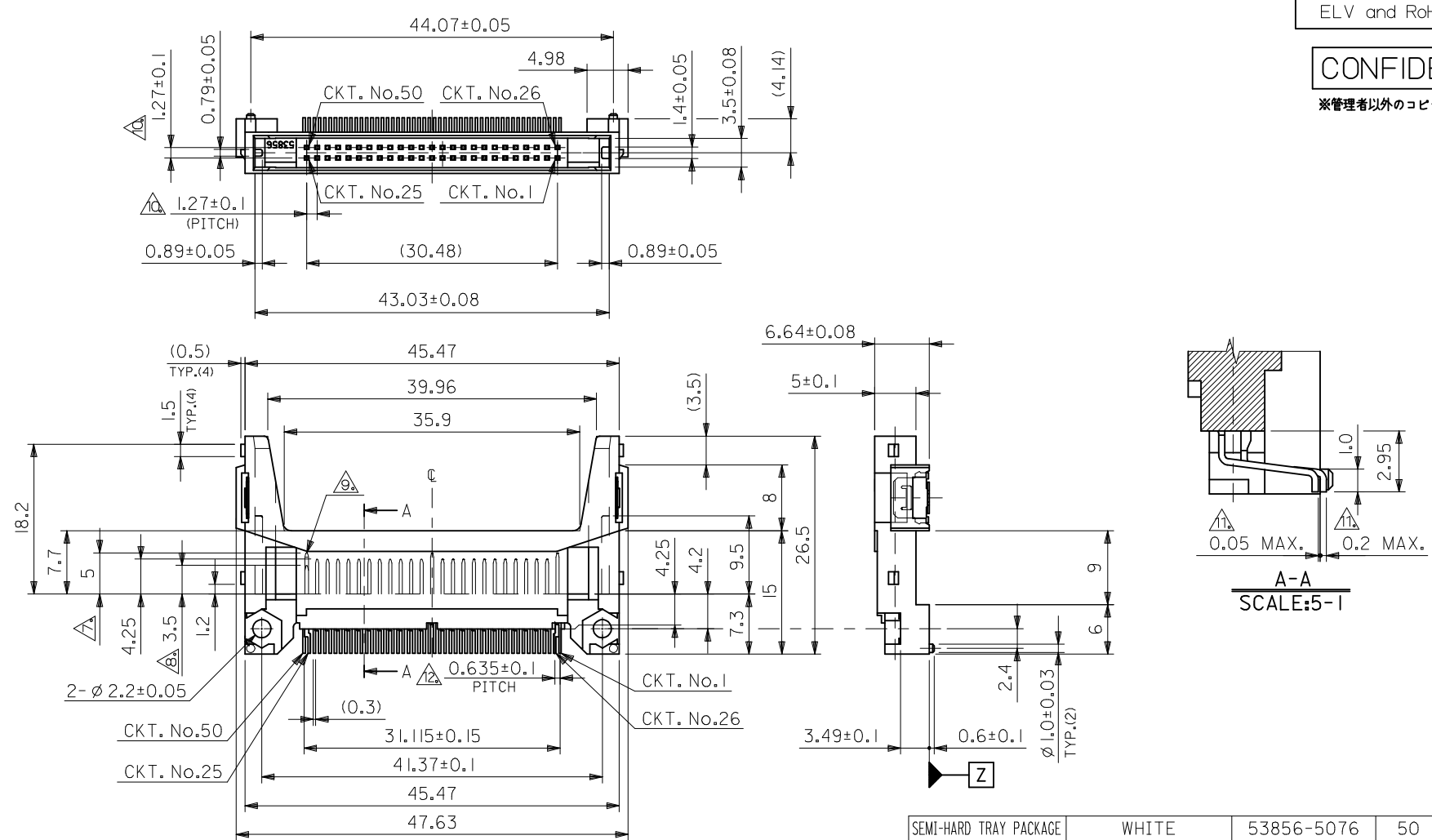


ELV and RoHS Compliant

CONFIDENTIAL
 ※管理者以外のコピー及び配布を禁ずる



SEMI-HARD TRAY PACKAGE	WHITE	53856-5076	50	
	BLACK	53856-5071	50	53856-507*
SOFT TRAY PACKAGE	WHITE	53856-5070	50	
PACKING TRAY FORM	HOUSING COLOR	MATERIAL No.	No. OF CKT.	MODEL No.

REVISED EC NO: J2015-1214 DRW:RWATANABE01 2015/03/11 CHK:D-AMI/ZUMURA 2015/03/17 APPR:MYAGI 2015/03/23	GENERAL TOLERANCES (UNLESS SPECIFIED)		DIMENSION STYLE		SCALE	DESIGN UNITS	THIRD ANGLE PROJECTION CF CARD CONN. HEADER ASS'Y - LEAD FREE - molex DOCUMENT NO. SD-53856-007 SHEET NO. 1 OF 2
	0.25 UNDER UNDER ±0.03		MM ONLY		---	METRIC	
	0.25 OVER 0.5 UNDER ±0.05		DRAWN BY DATE		TITLE		
	0.5 OVER 1.0 UNDER ±0.1		M. NABEI '04/03/16		CF CARD CONN. HEADER ASS'Y - LEAD FREE -		
1.0 OVER 10 UNDER ±0.2		CHECKED BY DATE					
10 OVER 30 UNDER ±0.25		K. TOJO '04/03/16					
30 OVER ±0.3		APPROVED BY DATE					
ANGULAR ±3 °		M. SASAO '04/03/16					
DRAFT WHERE APPLICABLE MUST REMAIN WITHIN DIMENSIONS		MATERIAL NO.		SEE CHART			
		SIZE		THIS DRAWING CONTAINS INFORMATION THAT IS PROPRIETARY TO MOLEX INCORPORATED AND SHOULD NOT BE USED WITHOUT WRITTEN PERMISSION			

CONFIDENTIAL

※管理者以外のコピー及び配布を禁ずる

注) NOTES

- 材質
MATERIAL
ハウジング: ガラス入りLCP UL94V-0
HOUSING: LCP G.F. UL94V-0
ピン: リン青銅
PIN: PHOSPHOR BRONZE
ネール: リン青銅
NAIL: PHOSPHOR BRONZE
- メッキ仕様
PLATING
PIN 接点部: ニッケル下地、パラジウムニッケル、金メッキ
CONTACT AREA: PALLADIUM-NICKEL, GOLD OVER NICKEL
半田付け部: 錫メッキ
SOLDER TAIL AREA: TIN
下地メッキ: ニッケルメッキ
UNDERPLATING: NICKEL OVER ALL
NAIL 錫メッキ
TIN
下地メッキ: ニッケルメッキ
UNDERPLATING: NICKEL OVER ALL

- 推奨基板厚: $t \geq 0.8$ MIN.
RECOMMENDED P.C.B. THICKNESS: $t \geq 0.8$ MIN.
- 適合カード厚
RECOMMENDED CARD THICKNESS
接続部: 3.3 ± 0.1
CONNECTING AREA: 3.3 ± 0.1
- 適合カード幅: 42.8 ± 0.1
RECOMMENDED CARD WIDTH: 42.8 ± 0.1
- ハウジング色:
HOUSING COLOR:
53856-5010: 白 (WHITE)
53856-5010: 黒 (BLACK)

△寸 1,13,38,50
THIS DIMENSION APPLIES TO CIRCUIT NUMBERS 1,13,38 AND 50.

△8 25,26
THIS DIMENSION APPLIES TO CIRCUIT NUMBERS 25 AND 26.

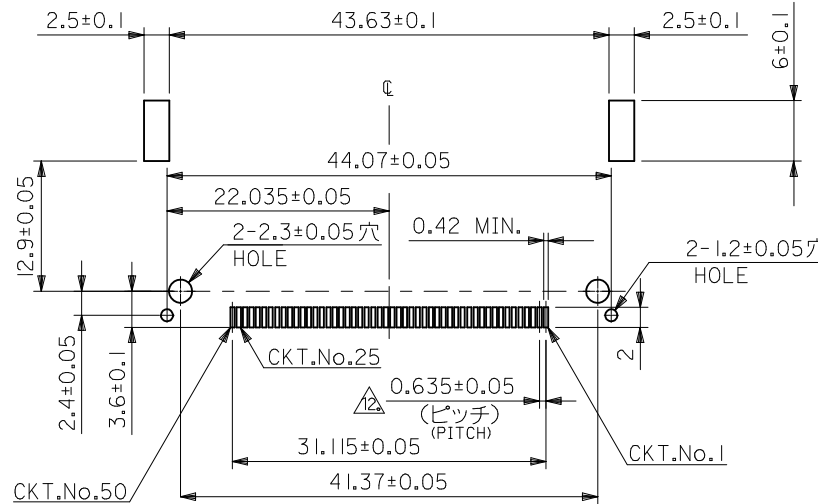
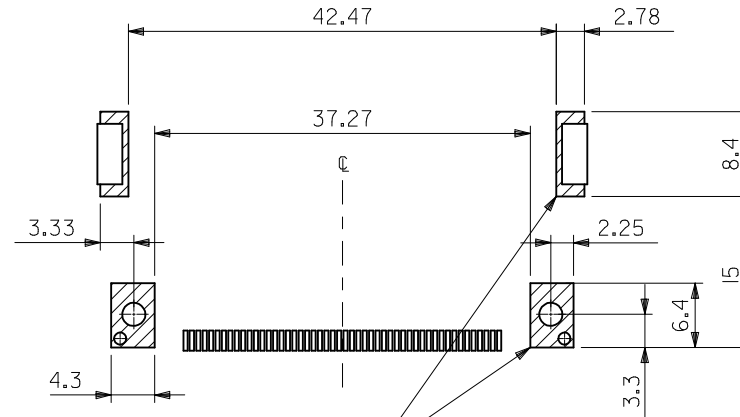
△9 ピンの倒れは、ピン根元を基準に全方向へ 0.1 MAX.とする。
PIN TIP LEAN TOWARD ANY DIRECTION NOT TO EXCEED 0.1 WHEN MEASURED FROM PIN BASE.

△10 ピン根元に適用する。
THIS DIMENSION TO BE MEASURED AT PIN BASE.

△11 ソルダータールは、Z面を基準とし上へ 0.05 下へ 0.2 の範囲にあり、且つソルダータールの平坦度は、 0.15 MAX.とし、テール先端にて測定する。
SOLDER TAILS TO BE WITHIN 0.05 UPWARD AND 0.2 DOWNWARD FROM Z-DATUM PLACE, AND COPLANARITY OF SOLDER TAILS TO BE WITHIN 0.15 . MEASUREMENT POINT IS SOLDER TAILS TIP.

△12 公差非累積
NON-CUMULATIVE

13. 本製品は 53856-501* の鉛フリー品である。
THIS PRODUCT IS LEAD FREE OF 53856-501*.



基板推奨寸法
RECOMMENDED P.C.B. LAYOUT

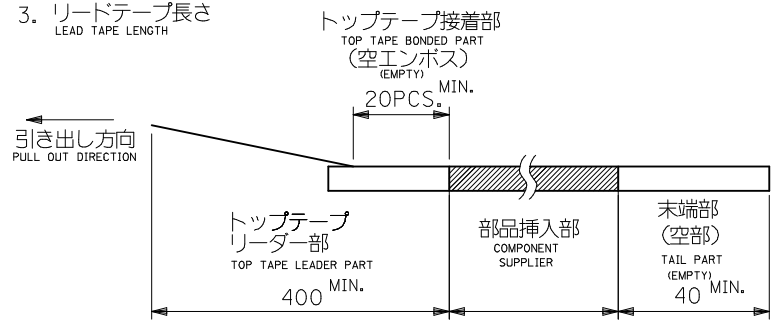
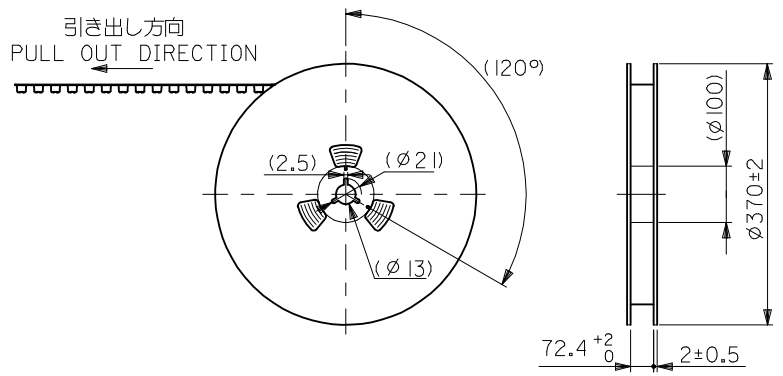
GENERAL TOLERANCES (UNLESS SPECIFIED)			DIMENSION STYLE		SCALE	DESIGN UNITS	THIRD ANGLE PROJECTION	
			MM ONLY		---	METRIC	⊙ □	
0.25 UNDER	UNDER	±0.03	DRAWN BY	DATE	TITLE			
0.25 OVER	0.5 UNDER	±0.05	M. NABEI	'04/03/16	CF CARD CONN. HEADER ASS'Y -LEAD FREE-			
0.5 OVER	1.0 UNDER	±0.1	CHECKED BY	DATE	molex			
1.0 OVER	10 UNDER	±0.2	K. TOJO	'04/03/16				
10 OVER	30 UNDER	±0.25	APPROVED BY	DATE	DOCUMENT NO.			
30 OVER		±0.3	M. SASAO	'04/03/16	SD-53856-007			
ANGULAR	±3 °		MATERIAL NO.		SHEET NO.			
DRAFT WHERE APPLICABLE MUST REMAIN WITHIN DIMENSIONS			SEE SHEET 1		2 OF 2			
			SIZE A3		THIS DRAWING CONTAINS INFORMATION THAT IS PROPRIETARY TO MOLEX INCORPORATED AND SHOULD NOT BE USED WITHOUT WRITTEN PERMISSION			

CONFIDENTIAL

※管理者以外のコピー及び配布を禁ずる

注)
NOTES

- 製品番号 53856-5070/53856-5071 の詳細寸法については、SD-53856-007 を参照下さい。
IN THE PACKAGE , PART NO. 53856-5070/53856-5071 DETAILED DIMENSIONS , SEE SD-53856-007
- 梱包数量 : 280個/リール
NUMBER OF CONNECTORS : 280 PCS/REEL
- リードテープ長さ
LEAD TAPE LENGTH



- トップテープの剥離強度 : (剥離方向は下図参照)
PEELING OFF FORCE OF TOP TAPE (PEELING DIRECTION AS SHOWN IN FOLLOWING FIG.)
0.1~1.3N {10~130gf} : キャリアテープ幅 7.2mm
CARRIER TAPE WIDTH 7.2mm

尚、本規格値は、出荷時に適用。
THIS REQUIREMENT SHOULD BE APPLIED AT SHIPMENT
(但し、輸送時に剥離が発生しない事。)
(PEEL OFF SHOULD NOT BE ALLOWED, DURING TRANSPORTATION)

- 材料
MATERIAL
キャリアテープ : ポリプロピレン (PP)
CARRIER TAPE : POLYPROPYLENE (PP)
トップテープ : PET, PE, PEF
TOP TAPE : PET, PE, PEF
リール : 紙
REEL : CARD BOARD
- 本製品は 53856-501* の鉛フリー品である。
THIS PRODUCT IS LEAD FREE OF 53856-501*

BLACK	53856-5071	53856-5079
WHITE	53856-5070	53856-5078
HOUSING COLOR	PART No.	MATERIAL No.
	53856-507*	MODEL No.

REVISED EC NO: J2015-1214 DRW: RWATANABE 01 2015/03/11 CHKD: AMI ZUMURA 2015/03/18 APPR: MYAGI 2015/03/23	GENERAL TOLERANCES (UNLESS SPECIFIED)			DIMENSION STYLE MM ONLY		SCALE ---	DESIGN UNITS METRIC	THIRD ANGLE PROJECTION
	0.25 UNDER	UNDER	± 0.03	DRAWN BY M. NABE I	DATE '04/03/16	TITLE 53856-5070/5071 TAPING PACKAGE -LEAD FREE-		
	0.25 OVER	0.5 UNDER	± 0.05	CHECKED BY K. TOJO	DATE '04/03/16	molex		
	0.5 OVER	1.0 UNDER	± 0.1	APPROVED BY M. SASAO	DATE '04/03/16			
1.0 OVER	10 UNDER	± 0.2	MATERIAL NO.		DOCUMENT NO.	SHEET NO.		
10 OVER	30 UNDER	± 0.25	SEE CHART		SD-53856-008	1 OF 2		
30 OVER		± 0.3	THIS DRAWING CONTAINS INFORMATION THAT IS PROPRIETARY TO MOLEX INCORPORATED AND SHOULD NOT BE USED WITHOUT WRITTEN PERMISSION					
ANGULAR	± 3 °							
DRAFT WHERE APPLICABLE MUST REMAIN WITHIN DIMENSIONS								

CONFIDENTIAL

※管理者以外のコピー及び配布を禁ずる

10 9 8 7 6 5 4 3 2 1

F

E

D

C

B

A

F

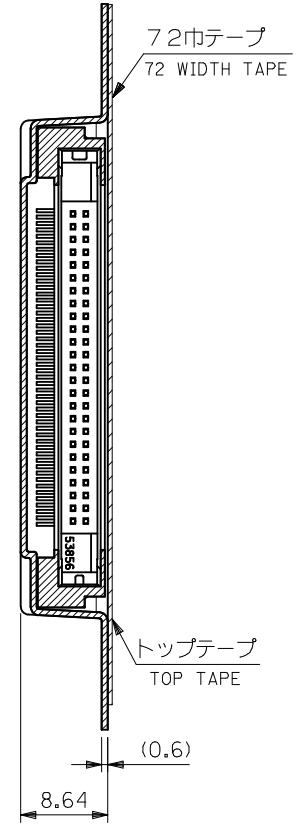
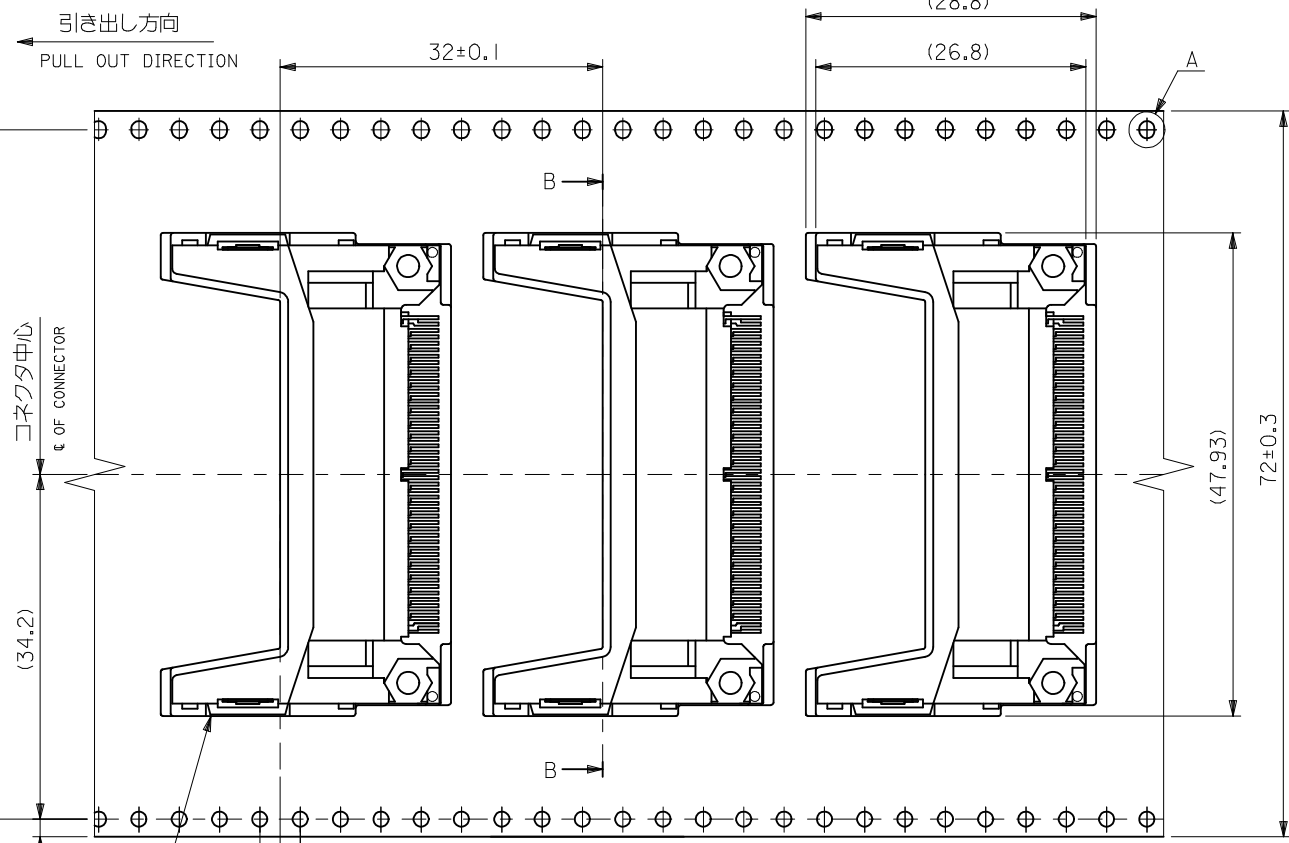
E

D

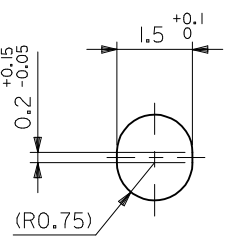
C

B

A



断面 B - B
SECTION B-B



A部詳細
SCALE: 10-1

53856-507*
累積ピッチ : 40±0.2
ACCUMULATIVE
PITCH : 40±0.2

REVISED EC NO: J2015-1214 DRW:RWATANABE01 2015/03/11 CHK:D:MIYAZUMURA 2015/03/18 APPR:MYAGI 2015/03/23	GENERAL TOLERANCES (UNLESS SPECIFIED)		DIMENSION STYLE MM ONLY		SCALE ---	DESIGN UNITS METRIC	THIRD ANGLE PROJECTION		
	0.25 UNDER	UNDER	±0.03	DRAWN BY M. NABEI	DATE '04/03/16	TITLE 53856-5070/5071 TAPING PACKAGE -LEAD FREE-			
	0.25 OVER	0.5 UNDER	±0.05	CHECKED BY K. TOJO	DATE '04/03/16	molex DOCUMENT NO. SD-53856-008 SHEET NO. 2 OF 2			
	0.5 OVER	1.0 UNDER	±0.1	APPROVED BY M. SASAO	DATE '04/03/16				
1.0 OVER	30 UNDER	±0.2	MATERIAL NO.		SEE SHEET 1				
30 OVER		±0.3	SIZE A3		THIS DRAWING CONTAINS INFORMATION THAT IS PROPRIETARY TO MOLEX INCORPORATED AND SHOULD NOT BE USED WITHOUT WRITTEN PERMISSION				
ANGULAR		±3 °	DRAFT WHERE APPLICABLE MUST REMAIN WITHIN DIMENSIONS						

9 8 7 6 5 4 3 2 1