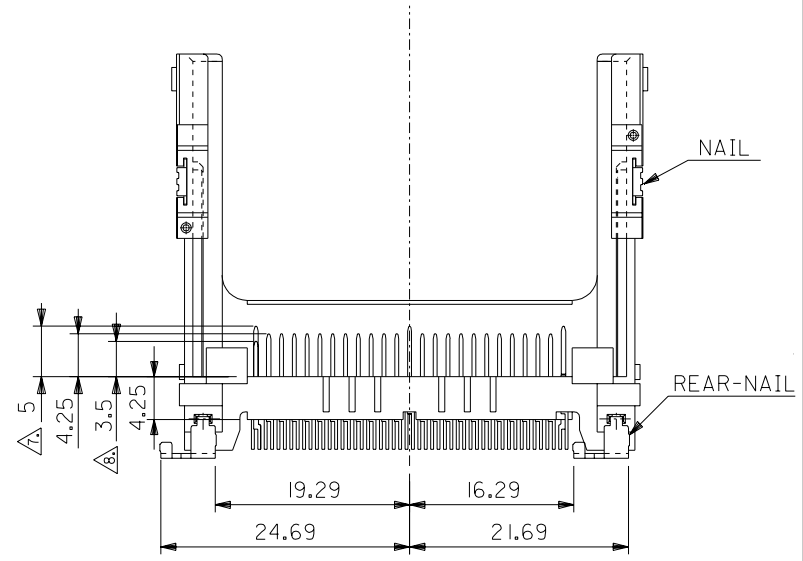
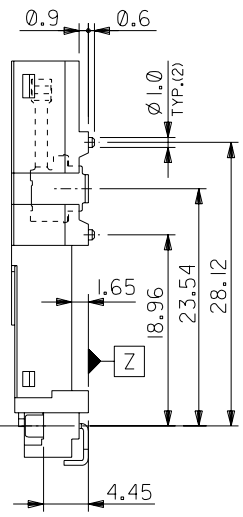
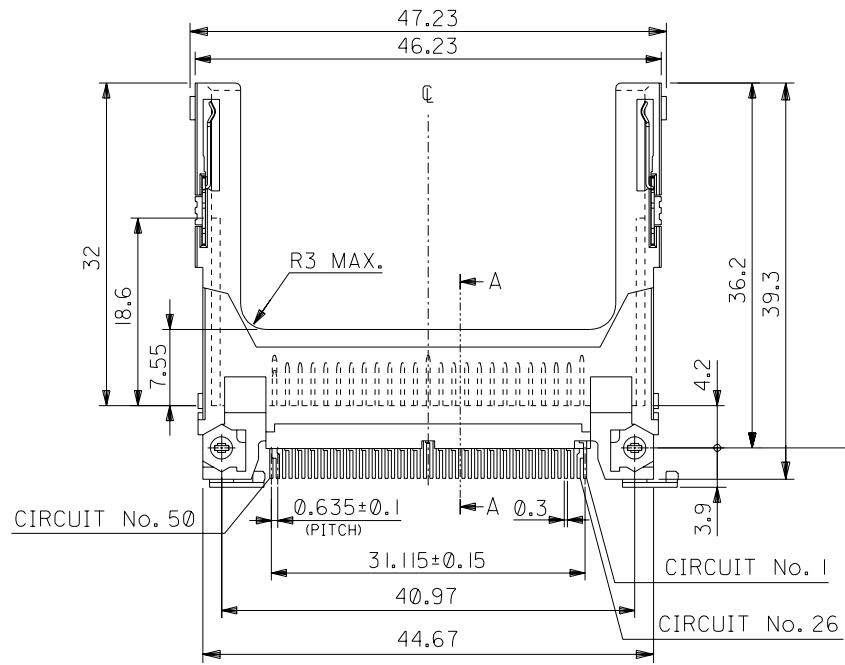
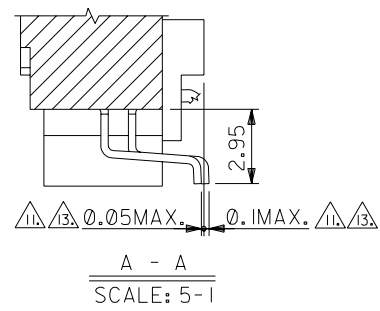
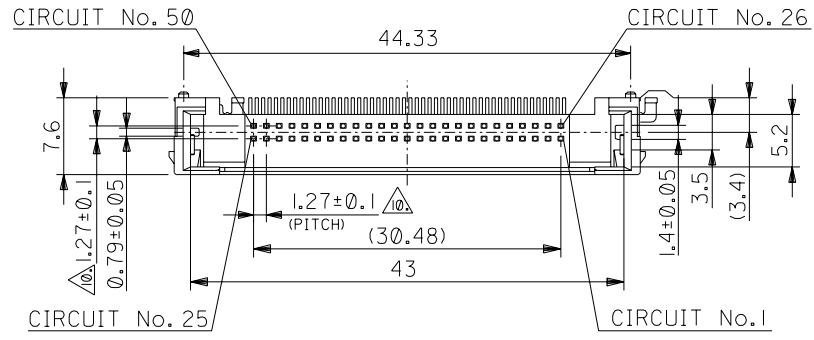


DWG. NO. SD-55358-014



DO NOT SCALE DRAWING

EC NO. DRWN: CHK: APPR:	EC NO. DRWN: CHK: APPR:	EC NO. DRWN: CHK: APPR:	EC NO. DRWN: CHK: APPR:
RELEASED	EC NO. J2004-3952	DRWN: M.NABEI '04/04/22	CHK: K.TOJO '04/04/22
		APPR: M.SASAO '04/04/22	

DESCRIPTION	MATERIAL 材料	SEE NOTES
FINISH 仕上り		SEE NOTES
WIRE RANGE 適用線径範囲		#
INS. RANGE 被覆外径		#

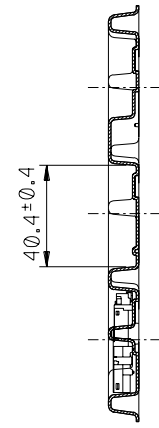
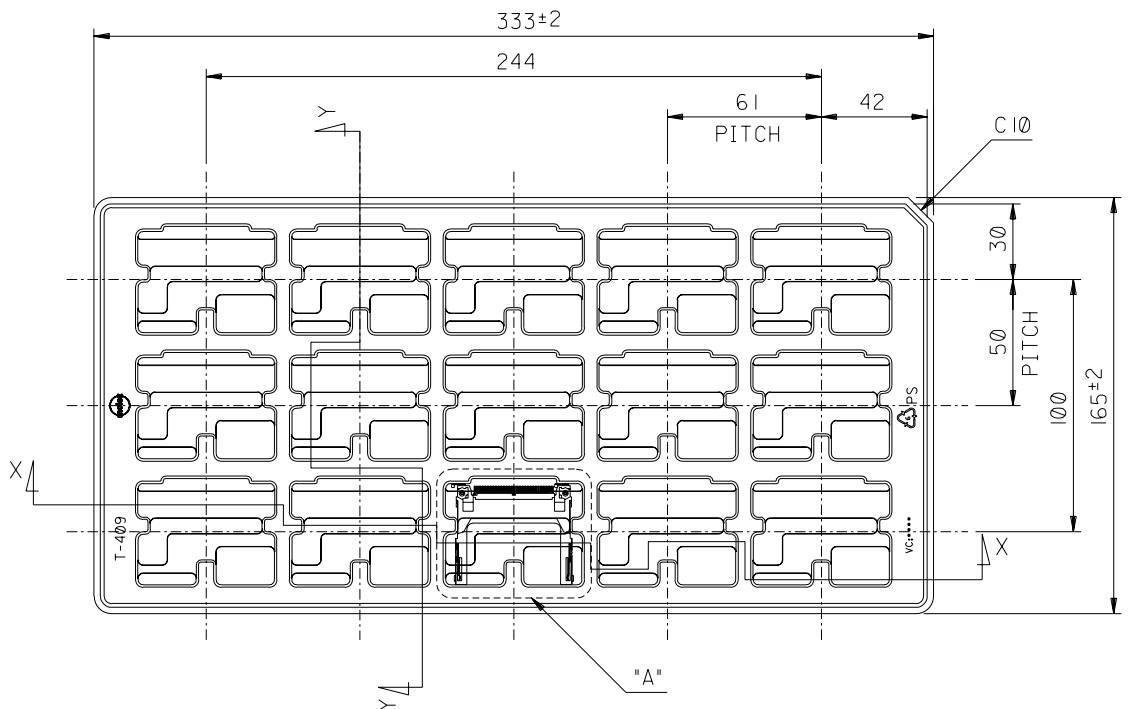
GENERAL TOLERANCES: (UNLESS SPECIFIED) 一般公差	
10 UNDER 未満	±0.2
10 OVER 30 UNDER 以上 未満	±0.25
30 OVER 以上	±0.3
ANGLE 角度	±3°

55358-5028		55358-5029		55358-50**	
HARD TRAY PACKAGE		MATERIAL No.		MODEL No.	
SCALE 2 - 1	DESIGN UNITS <input checked="" type="checkbox"/> mm <input type="checkbox"/> INCH	DIMENSIONS: <input type="checkbox"/> mm <input type="checkbox"/> INCH <input type="checkbox"/> mm <input checked="" type="checkbox"/> INCH ONLY		SHT	REV
DRAWN BY & DATE M.NABEI '04/04/22		TITLE: CF CARD CONN. 50P HEADER ASS'Y (TYPE I/II, NORMAL) -LEAD FREE-			
CHECKED BY & DATE K.TOJO '04/04/22		M.OLEX MOLEX INCORPORATED			
APPROVED BY & DATE M. Sasao '04/04/22		MATERIAL NO. SEE CHART	DRAWING NO. SD-55358-014	SHEET NO. 1 OF 2	REVISION REVISE ON CAD ONLY
THIS DRAWING CONTAINS INFORMATION THAT IS PROPRIETARY TO MOLEX INCORPORATED AND SHOULD NOT BE USED WITHOUT WRITTEN PERMISSION.					SIZE B

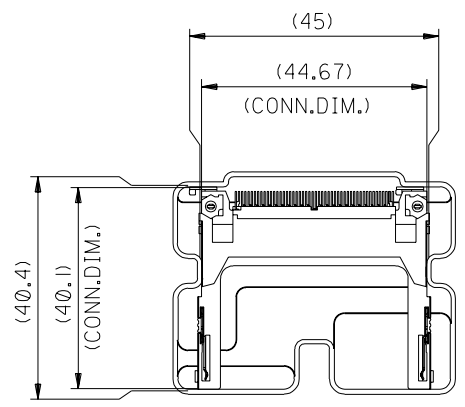
SD-55358-014.S01



DWG. NO. SD-55358-016



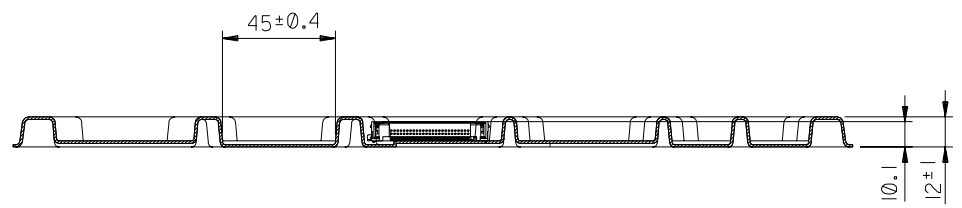
SECT. Y-Y



DETAIL A  
(SCALE 1-1)

NOTES

1. 一般公差: ±0.5  
GENERAL TOLERANCES: ±0.5
2. 反り: 2MAX.  
WARP: 2MAX.
3. 梱包数: 15個  
PACKAGING QUANTITY: 15PCS.
4. 本製品は 55358-5026/-5036 の鉛フリー品である。  
THIS PRODUCT IS LEAD FREE OF 55358-5026/-5036.



SECT. X-X

15	55358-5039	55358-5038	50
	55358-5029	55358-5028	
梱包数量 QUANTITY	コネクタ番号 CONNECTOR No.	製品番号 MATERIAL No.	極数 CKT.

64NO. DRWN: CHK: APPR:	63NO. DRWN: CHK: APPR:	62NO. DRWN: CHK: APPR:	61NO. DRWN: CHK: APPR:	RELEASED 60NO. J2004-3952 DRWN: M.NABEI CHK: K.TOJO APPR: M.SASAO
0	0	0	0	0

MATERIAL 材料	POLYSTYRENE (t=1.0)
FINISH 仕上り	—
WIRE RANGE 適用着被範囲	—
INS. RANGE 被覆外径	—

GENERAL TOLERANCES: (UNLESS SPECIFIED) 一般公差	10 UNDER 未満	±0.2
	10 OVER 以上	±0.25
	30 UNDER 未満	±0.25
	30 OVER 以上	±0.3
ANGLE 角度		±3°

55358-50**		MODEL NO.	DIMENSIONS:		SHT	REV
SCALE 1:2	DESIGN UNITS <input checked="" type="checkbox"/> mm <input type="checkbox"/> INCH	<input checked="" type="checkbox"/> FIRST ANGLE PROJECTION	<input type="checkbox"/> mm <input type="checkbox"/> INCH	<input type="checkbox"/> mm <input checked="" type="checkbox"/> mm ONLY		ON CAD ONLY
DRAWN BY & DATE M.NABEI '04/04/22		TITLE: TRAY FOR CF CARD CONN. 50P HEADER HS'G ASS'Y -LEAD FREE-				
CHECKED BY & DATE K.TOJO '04/04/22		MOLEX INCORPORATED				
APPROVED BY & DATE M.SASAO '04/04/22		MATERIAL NO.	DRAWING NO.	SHEET NO.		
CAD FILENAME SD-55358-016.S01		SEE CHART	SD-55358-016	1 OF 1		
THIS DRAWING CONTAINS INFORMATION THAT IS PROPRIETARY TO MOLEX INCORPORATED AND SHOULD NOT BE USED WITHOUT WRITTEN PERMISSION.						
					SIZE B	

DO NOT SCALE DRAWING

SD-55358-016.S01