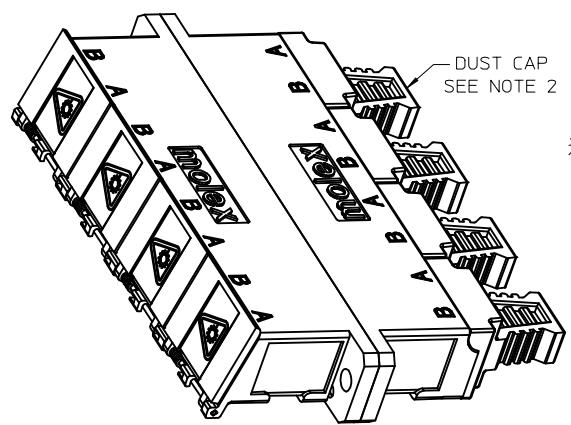
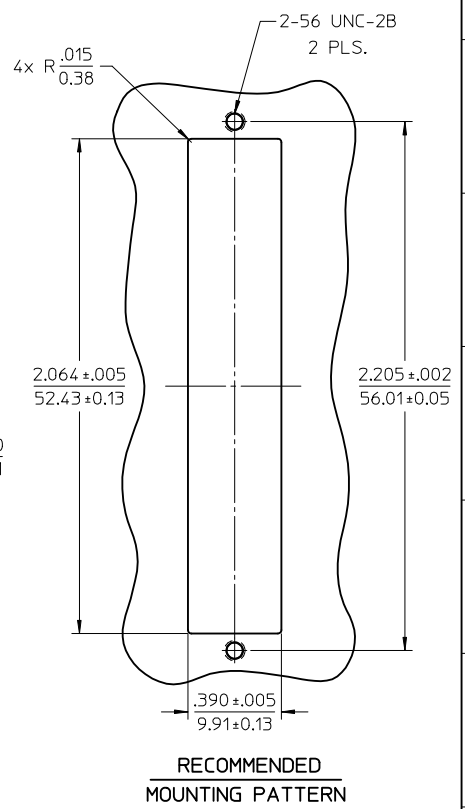
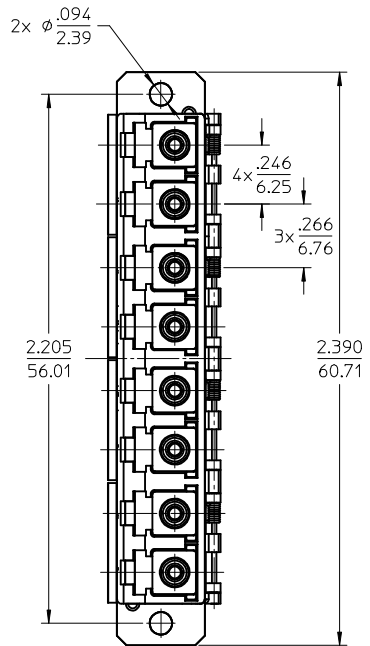
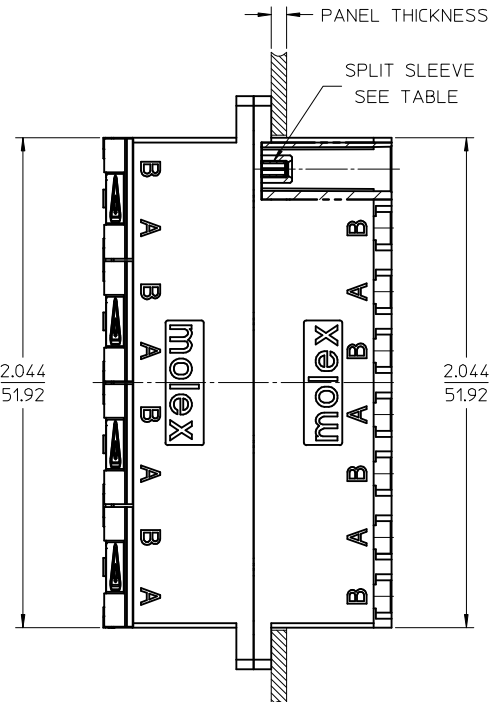
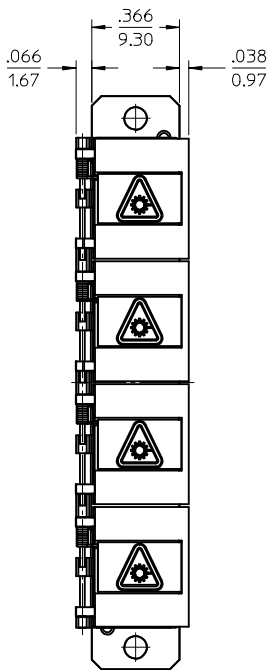
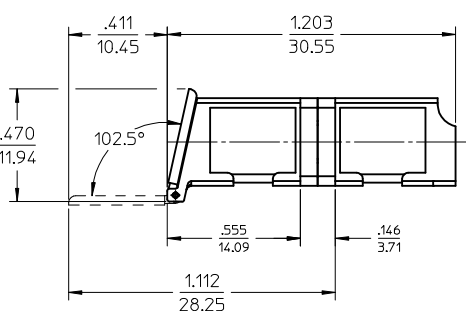


LC 8 PORT ADAPTER P/N	LC 8 PORT ADAPTER COLOR	SPLIT SLEEVE MATERIAL
106121-0100	BLUE	CERAMIC
106121-0101	GREEN	
106121-0102	BEIGE	PHOSPHOR BRONZE
106121-0103	AQUA	



ISO VIEW



NOTES:
1. ALL DIMENSIONS ARE FOR REFERENCE.
2. DUST CAPS SHOWN IN ISO VIEW ONLY.

ENTER DESCRIPTION EC NO: MF2015-0403 DRWNSDXIE 2015/06/11 CHKD: APPR:WCHEN 2015/09/25	QUALITY SYMBOLS ▽=0 ▽=0 ▽=0	GENERAL TOLERANCES (UNLESS SPECIFIED)		DIMENSION STYLE IN/MM		SCALE 2.5:1	DESIGN UNITS INCH	THIRD ANGLE PROJECTION	
		4 PLACES ± --- ± ---	3 PLACES ± --- ± ---	2 PLACES ± --- ± ---	1 PLACE ± --- ± ---	0 PLACE ± ±	DRAWN BY YBELENKIY 2011/08/18		DATE 2011/08/18
REV B	DESCRIPTION	DRAFT WHERE APPLICABLE MUST REMAIN WITHIN DIMENSIONS		SEE TABLE		TITLE LC 8 PORT ADAPTER SCREW MOUNT W/SHUTTERS		DOCUMENT NO. SD-106121-0100	
		ANGULAR ± --- °		MATERIAL NO.		DATE 2012/02/06		SHEET NO. 1 OF 1	
THIS DRAWING CONTAINS INFORMATION THAT IS PROPRIETARY TO MOLEX INCORPORATED AND SHOULD NOT BE USED WITHOUT WRITTEN PERMISSION									