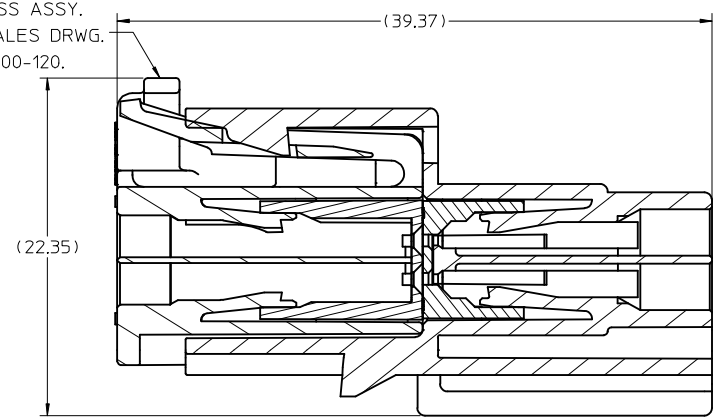


**20 CIRCUIT MALE INLINE
HARNESS ASSEMBLY SHOWN.**

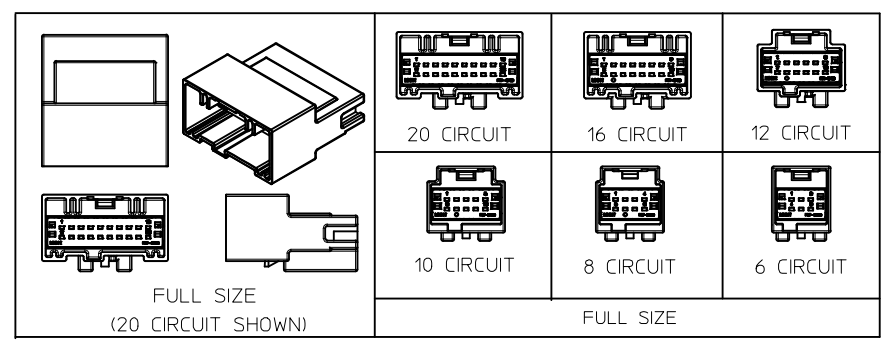
- NOTES:
1. MATERIAL: HOUSING: SPS GLASS FILLED, COLOR SEE CHART. TPA: PBT, COLOR RED
 2. PACKAGING SPECIFICATION: DRAWINGS BULK ----- PK-30907-760 PARTITION --- PK-31302-105
 3. PACKAGING: REFERENCE MOLEX SPECIFICATION PS-34646-001. AVAILABLE AT WWW.MOLEX.COM (REFERENCE: TPA'S THAT ARE FOUND IN SEATED (FINAL LOCK) POSITION.
 4. MATES WITH: SEE SALES DRAWING SD-30700-120
 5. CONNECTOR IS DESIGNED FOR USE WITH TYCO TERMINAL PART NUMBERS: 1-1419158-6(22-24 AWG) AND 2-1419158-5 (18-20 AWG).
 6. APPLICATION SPECIFICATION SEE: AS-30700-000
 7. PRODUCT SPECIFICATION SEE: PS-30968-0001

EC NO: UAU2016-0461 DRWN: KHEWITT 2015/09/04 CHKD: APPR: RBAUMAN 2015/10/05 L3	QUALITY SYMBOLS ▼ - 0 ∇ - 0	GENERAL TOLERANCES (UNLESS SPECIFIED)		SCALE 2:1	DESIGN UNITS METRIC	THIRD ANGLE PROJECTION	REVISE ON CAD ONLY	
		4 PLACES ± --- ± ---	3 PLACES ± --- ± ---	DIMENSION STYLE MM ONLY		TITLE SLEEVE ASSEMBLY WIRE CONNECTOR MALE		
		2 PLACES ± 0.13 ± ---	1 PLACE ± 0.25 ± ---	DRAWN BY JKSIK	DATE 99/09/03	MOLEX INCORPORATED		
		ANGULAR ± 1/2°		CHECKED BY LGIB	DATE 99/10/28	MATERIAL NO. SEE CHART	DOCUMENT NO. SD-30968-120	SHEET NO. 1 OF 2
DRAFT WHERE APPLICABLE MUST REMAIN WITHIN DIMENSIONS		APPROVED BY BWILSON		DATE 99/10/28	THIS DRAWING CONTAINS INFORMATION THAT IS PROPRIETARY TO MOLEX INCORPORATED AND SHOULD NOT BE USED WITHOUT WRITTEN PERMISSION			

HARNESS ASSY.
SEE SALES DRWG.
SD-30700-120.



SECTION B-B
MATED VIEW



PACKAGING		POLARIZATION OPTIONS & CIRCUIT SIZE		PRODUCT DIMENSIONS								HOUSING COLOR	STATUS
ASSEMBLY P/N PARTITION PACKED	ASSEMBLY P/N BULK PACKED	MALE INLINE HARNESS ASSEMBLY (POLARIZATION OPTIONS)	CIRCUIT SIZE	'A'	'B'	'C'	'D'	'E'	'F'				
	30968-1060	POLARIZATION OPTION #1	6	3.76	13.51	15.61	19.78	17.58	10.37	GRAY	RELEASED		
	30968-1061	POLARIZATION OPTION #2	6	6.76	13.51	15.61	19.78	17.58	10.37	BLACK	RELEASED		
	30968-1062	POLARIZATION OPTION #3	6	9.76	13.51	15.61	19.78	17.58	10.37	NATURAL (CREAM)	NOT RELEASED		
	30968-1080	POLARIZATION OPTION #1	8	5.03	16.05	18.05	19.78	17.58	10.38	GRAY	RELEASED		
	30968-1081	POLARIZATION OPTION #2	8	8.03	16.05	18.05	19.78	17.58	10.38	BLACK	RELEASED		
	30968-1082	POLARIZATION OPTION #3	8	11.03	16.05	18.05	19.78	17.58	10.38	NATURAL (CREAM)	RELEASED		
30968-9100	30968-1100	POLARIZATION OPTION #1	10	6.30	18.59	20.69	19.78	17.58	10.37	GRAY	RELEASED		
30968-9101	30968-1101	POLARIZATION OPTION #2	10	9.30	18.59	20.69	19.78	17.58	10.37	BLACK	RELEASED		
	30968-1102	POLARIZATION OPTION #3	10	12.30	18.59	20.69	19.78	17.58	10.37	NATURAL (CREAM)	NOT RELEASED		
	30968-1123*	POLARIZATION OPTION #1 W/ CHRISTMAS TREE ATTACHMENT	12	7.57	21.28	23.23	20.34	17.64	10.34	GRAY	RELEASED		
	30968-1127	POLARIZATION OPTION #1	12	7.57	21.28	23.23	20.34	17.64	10.34	GRAY	RELEASED		
	30968-1126*	POLARIZATION OPTION #2 W/ CHRISTMAS TREE ATTACHMENT	12	10.57	21.28	23.23	20.34	17.64	10.34	BLACK	RELEASED		
	30968-1128	POLARIZATION OPTION #2	12	10.57	21.28	23.23	20.34	17.64	10.34	BLACK	RELEASED		
	30968-1129	POLARIZATION OPTION #3	12	13.57	21.28	23.23	20.34	17.64	10.34	NATURAL (CREAM)	RELEASED		
	30968-1167	POLARIZATION OPTION #1	16	10.11	26.36	28.31	20.34 +0.13 -0.20	17.64	10.34	GRAY	RELEASED		
	30968-1164*	POLARIZATION OPTION #1 W/ CHRISTMAS TREE ATTACHMENT	16	10.11	26.06	28.31	20.34 +0.13 -0.20	17.64	10.34	GRAY	RELEASED		
	30968-1168	POLARIZATION OPTION #2	16	13.11	26.36	28.31	20.34 +0.13 -0.20	17.64	10.34	BLACK	RELEASED		
	30968-1169	POLARIZATION OPTION #3	16	16.11	26.36	28.31	20.34 +0.13 -0.20	17.64	10.34	NATURAL (CREAM)	RELEASED		
	30968-1207	POLARIZATION OPTION #1	20	12.65	31.44	33.39	20.34	17.64	10.34	GRAY	RELEASED		
	30968-1208	POLARIZATION OPTION #2	20	15.65	31.44	33.39	20.34	17.64	10.34	BLACK	RELEASED		
	30968-1209	POLARIZATION OPTION #3	20	18.65	31.44	33.39	20.34	17.64	10.34	NATURAL (CREAM)	RELEASED		

*MOLEX INTERNAL CHRISTMAS TREE P/N 88794-1188

SEE ECN# UAU2001-0258 EC NO: UAU2016-0461 DRWN:KHEWITT 2015/09/04 CHKD: APPR:RBAUJMAN 2015/10/05	QUALITY SYMBOLS	GENERAL TOLERANCES (UNLESS SPECIFIED) DIMENSION STYLE 4 PLACES ± --- ± --- 3 PLACES ± --- ± --- 2 PLACES ± 0.13 ± --- 1 PLACE ± 0.25 ± --- ANGULAR ±1/2° DRAFT WHERE APPLICABLE MUST REMAIN WITHIN DIMENSIONS	SCALE	DESIGN UNITS	THIRD ANGLE PROJECTION REVISE ON CAD ONLY
			mm	METRIC	
			INCH	Metric	
				MM ONLY	
			DRAWN BY JKSIK	DATE 99/09/03	TITLE SLEEVE ASSEMBLY WIRE CONNECTOR MALE MOLEX MOLEX INCORPORATED
			CHECKED BY LGEIB	DATE 99/10/28	
			APPROVED BY BWILSON	DATE 99/10/28	
					MATERIAL NO. SEE CHART DOCUMENT NO. SD-30968-120 SHEET NO. 2 OF 2
THIS DRAWING CONTAINS INFORMATION THAT IS PROPRIETARY TO MOLEX INCORPORATED AND SHOULD NOT BE USED WITHOUT WRITTEN PERMISSION					