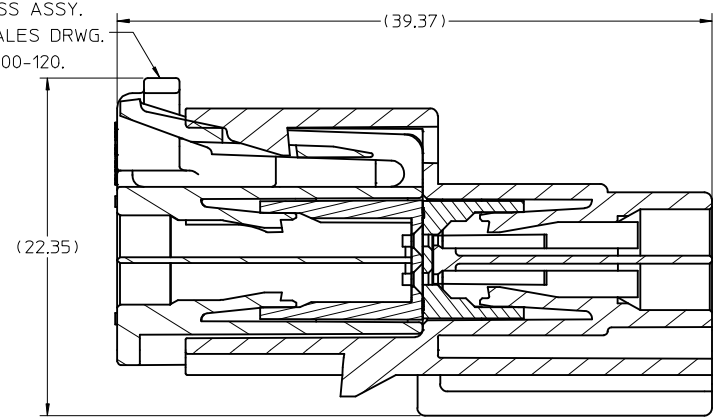


**20 CIRCUIT MALE INLINE  
HARNESS ASSEMBLY SHOWN.**

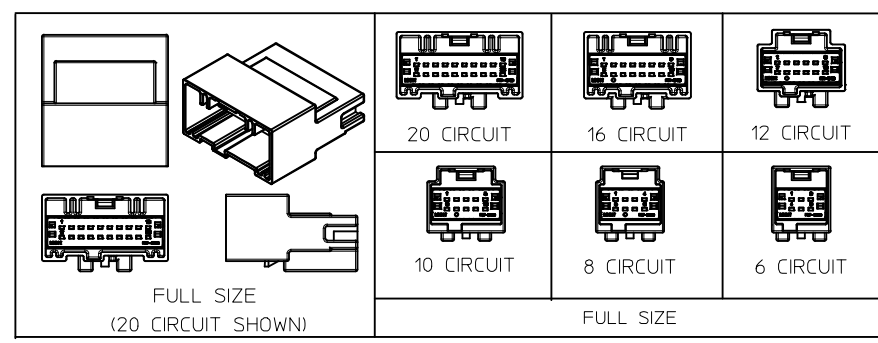
- NOTES:
1. MATERIAL: HOUSING: SPS GLASS FILLED, COLOR SEE CHART. TPA: PBT, COLOR RED
  2. PACKAGING SPECIFICATION: DRAWINGS BULK ----- PK-30907-760 PARTITION --- PK-31302-105
  3. PACKAGING: REFERENCE MOLEX SPECIFICATION PS-34646-001. AVAILABLE AT WWW.MOLEX.COM (REFERENCE: TPA'S THAT ARE FOUND IN SEATED (FINAL LOCK) POSITION.
  4. MATES WITH: SEE SALES DRAWING SD-30700-120
  5. CONNECTOR IS DESIGNED FOR USE WITH TYCO TERMINAL PART NUMBERS: 1-1419158-6(22-24 AWG) AND 2-1419158-5 (18-20 AWG).
  6. APPLICATION SPECIFICATION SEE: AS-30700-000
  7. PRODUCT SPECIFICATION SEE: PS-30968-0001

EC NO: UAU2016-0461 DRWN: KHEWITT 2015/09/04 CHKD: APPR: RBAUMAN 2015/10/05 L3	QUALITY SYMBOLS ▼ - 0 ∇ - 0	GENERAL TOLERANCES (UNLESS SPECIFIED)		SCALE 2:1	DESIGN UNITS METRIC	THIRD ANGLE PROJECTION	REVISE ON CAD ONLY	
		4 PLACES ± --- ± ---	3 PLACES ± --- ± ---	DIMENSION STYLE MM ONLY		TITLE SLEEVE ASSEMBLY WIRE CONNECTOR MALE		
		2 PLACES ± 0.13 ± ---	1 PLACE ± 0.25 ± ---	DRAWN BY JKSIK	DATE 99/09/03	MOLEX INCORPORATED		
		ANGULAR ± 1/2°		CHECKED BY LGIB	DATE 99/10/28	MATERIAL NO. SEE CHART	DOCUMENT NO. SD-30968-120	SHEET NO. 1 OF 2
DRAFT WHERE APPLICABLE MUST REMAIN WITHIN DIMENSIONS		APPROVED BY BWILSON	DATE 99/10/28	THIS DRAWING CONTAINS INFORMATION THAT IS PROPRIETARY TO MOLEX INCORPORATED AND SHOULD NOT BE USED WITHOUT WRITTEN PERMISSION				

HARNESS ASSY.  
SEE SALES DRWG.  
SD-30700-120.



SECTION B-B  
MATED VIEW



PACKAGING		POLARIZATION OPTIONS & CIRCUIT SIZE		PRODUCT DIMENSIONS								HOUSING COLOR	STATUS
ASSEMBLY P/N PARTITION PACKED	ASSEMBLY P/N BULK PACKED	MALE INLINE HARNESS ASSEMBLY (POLARIZATION OPTIONS)	CIRCUIT SIZE	'A'	'B'	'C'	'D'	'E'	'F'				
	30968-1060	POLARIZATION OPTION #1	6	3.76	13.51	15.61	19.78	17.58	10.37	GRAY	RELEASED		
	30968-1061	POLARIZATION OPTION #2	6	6.76	13.51	15.61	19.78	17.58	10.37	BLACK	RELEASED		
	30968-1062	POLARIZATION OPTION #3	6	9.76	13.51	15.61	19.78	17.58	10.37	NATURAL (CREAM)	NOT RELEASED		
	30968-1080	POLARIZATION OPTION #1	8	5.03	16.05	18.05	19.78	17.58	10.38	GRAY	RELEASED		
	30968-1081	POLARIZATION OPTION #2	8	8.03	16.05	18.05	19.78	17.58	10.38	BLACK	RELEASED		
	30968-1082	POLARIZATION OPTION #3	8	11.03	16.05	18.05	19.78	17.58	10.38	NATURAL (CREAM)	RELEASED		
30968-9100	30968-1100	POLARIZATION OPTION #1	10	6.30	18.59	20.69	19.78	17.58	10.37	GRAY	RELEASED		
30968-9101	30968-1101	POLARIZATION OPTION #2	10	9.30	18.59	20.69	19.78	17.58	10.37	BLACK	RELEASED		
	30968-1102	POLARIZATION OPTION #3	10	12.30	18.59	20.69	19.78	17.58	10.37	NATURAL (CREAM)	NOT RELEASED		
	30968-1123*	POLARIZATION OPTION #1 W/ CHRISTMAS TREE ATTACHMENT	12	7.57	21.28	23.23	20.34	17.64	10.34	GRAY	RELEASED		
	30968-1127	POLARIZATION OPTION #1	12	7.57	21.28	23.23	20.34	17.64	10.34	GRAY	RELEASED		
	30968-1126*	POLARIZATION OPTION #2 W/ CHRISTMAS TREE ATTACHMENT	12	10.57	21.28	23.23	20.34	17.64	10.34	BLACK	RELEASED		
	30968-1128	POLARIZATION OPTION #2	12	10.57	21.28	23.23	20.34	17.64	10.34	BLACK	RELEASED		
	30968-1129	POLARIZATION OPTION #3	12	13.57	21.28	23.23	20.34	17.64	10.34	NATURAL (CREAM)	RELEASED		
	30968-1167	POLARIZATION OPTION #1	16	10.11	26.36	28.31	20.34 +0.13 -0.20	17.64	10.34	GRAY	RELEASED		
	30968-1164*	POLARIZATION OPTION #1 W/ CHRISTMAS TREE ATTACHMENT	16	10.11	26.06	28.31	20.34 +0.13 -0.20	17.64	10.34	GRAY	RELEASED		
	30968-1168	POLARIZATION OPTION #2	16	13.11	26.36	28.31	20.34 +0.13 -0.20	17.64	10.34	BLACK	RELEASED		
	30968-1169	POLARIZATION OPTION #3	16	16.11	26.36	28.31	20.34 +0.13 -0.20	17.64	10.34	NATURAL (CREAM)	RELEASED		
	30968-1207	POLARIZATION OPTION #1	20	12.65	31.44	33.39	20.34	17.64	10.34	GRAY	RELEASED		
	30968-1208	POLARIZATION OPTION #2	20	15.65	31.44	33.39	20.34	17.64	10.34	BLACK	RELEASED		
	30968-1209	POLARIZATION OPTION #3	20	18.65	31.44	33.39	20.34	17.64	10.34	NATURAL (CREAM)	RELEASED		

\*MOLEX INTERNAL CHRISTMAS TREE P/N 88794-1188

SEE ECN# UAU2001-0258 EC NO: UAU2016-0461 DRWN: KEWITT 2015/09/04 CHKD: APPR: RBAUJMAN 2015/10/05	QUALITY SYMBOLS	GENERAL TOLERANCES (UNLESS SPECIFIED) DIMENSION STYLE 4 PLACES ± --- ± --- 3 PLACES ± --- ± --- 2 PLACES ± 0.13 ± --- 1 PLACE ± 0.25 ± --- ANGULAR ± 1/2° DRAFT WHERE APPLICABLE MUST REMAIN WITHIN DIMENSIONS	SCALE	DESIGN UNITS	THIRD ANGLE PROJECTION REVISIONS TITLE SLEEVE ASSEMBLY WIRE CONNECTOR MALE MOLEX MOLEX INCORPORATED APPROVED BY DATE MATERIAL NO. DOCUMENT NO. SHEET NO. BWILSON 99/10/28 SEE CHART SD-30968-120 2 OF 2 THIS DRAWING CONTAINS INFORMATION THAT IS PROPRIETARY TO MOLEX INCORPORATED AND SHOULD NOT BE USED WITHOUT WRITTEN PERMISSION
	DESCRIPTION		MM ONLY	METRIC	
	REV		DATE	DATE	
	L3		99/10/28	99/10/28	