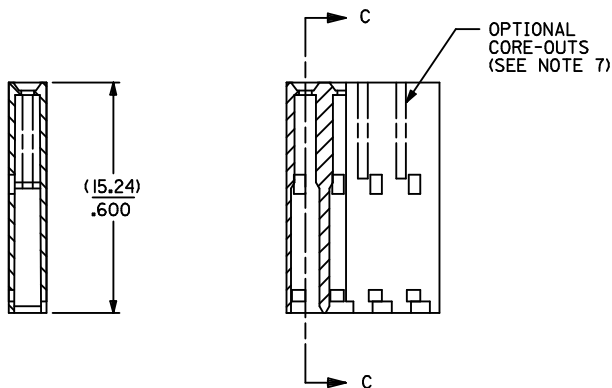
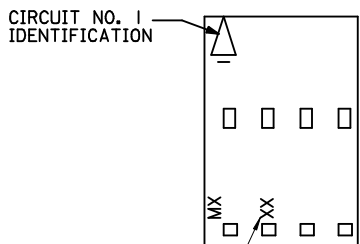
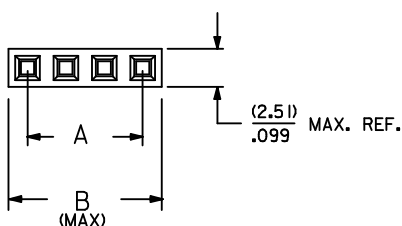


OPTION "A"



SECTION C-C

- NOTES:
1. MATERIAL GLASS FILLED POLYESTER; UL94V-0; COLOR: BLACK.
 2. HOUSING MAY BE USED WITH TERMINAL NUMBERS 70058, 71851, AND 70021.
 3. REFER TO CHART FOR AVAILABLE CIRCUIT SIZES.
 4. HOUSINGS TO BE USED WITH (0.64)/.025 SQUARE OR ROUND PINS.
 5. HOUSING ARE STACKABLE END-TO-END ON (2.54)/.100 CENTERS.
 6. REFER TO MOLEX PRODUCT SPECIFICATION(S): PS-70400, PS-70058, PS-71851, PS-70021, AND MOLEX APPLICATION SPECIFICATION SDES-70400.
 7. PARTS MAY OR MAY NOT BE SUPPLIED WITH EXTERIOR CORE-OUT CONFIGURATION. REFER TO MOLEX DRAWING NUMBER SD-70066-**** FOR OPTIONAL HOUSING DETAILS.
 8. PACKAGE PER PK-70066-100.

4 CKT. SIZE	EDP. NO.	ENG. NØ.	A	1 B
2	50-57-9002	70066-0001	(2.54) .100	(5.05) .199
3	50-57-9003	70066-0002	(5.08) .200	(7.59) .299
4	50-57-9004	70066-0003	(7.62) .300	(10.13) .399
5	50-57-9005	70066-0004	(10.16) .400	(12.67) .499
6	50-57-9006	70066-0005	(12.70) .500	(15.21) .599
7	50-57-9007	70066-0006	(15.24) .600	(17.75) .699
8	50-57-9008	70066-0007	(17.78) .700	(20.29) .799
9	50-57-9009	70066-0008	(20.32) .800	(22.83) .899
10	50-57-9010	70066-0009	(22.86) .900	(25.37) .999
11	50-57-9011	70066-0010	(25.40) 1.000	(27.91) 1.099
12	50-57-9012	70066-0011	(27.94) 1.100	(30.45) 1.199
13	50-57-9013	70066-0012	(30.48) 1.200	(32.99) 1.299
14	50-57-9014	70066-0013	(33.02) 1.300	(35.53) 1.399
15	50-57-9015	70066-0014	(35.56) 1.400	(38.07) 1.499
16	50-57-9016	70066-0015	(38.10) 1.500	(40.61) 1.599
17	50-57-9017	70066-0016	(40.64) 1.600	(43.15) 1.699
18	50-57-9018	70066-0017	(43.18) 1.700	(45.69) 1.799
19	50-57-9019	70066-0018	(45.72) 1.800	(48.23) 1.899
20	50-57-9020	70066-0019	(48.26) 1.900	(50.77) 1.999
21	50-57-9021	70066-0020	(50.80) 2.000	(53.31) 2.099
22	50-57-9022	70066-0021	(53.34) 2.100	(55.85) 2.199
23	50-57-9023	70066-0022	(55.88) 2.200	(58.39) 2.299
24	50-57-9024	70066-0023	(58.42) 2.300	(60.93) 2.399
25	50-57-9025	70066-0024	(60.96) 2.400	(63.47) 2.499

LOCATE MOLD&CAVITY ID EC NO: UCP2014-4216 DRWR:WHIPPLE 2014/04/10 CHKD:DMORGAN 2014/04/10 APPR:SMILLER 2014/04/28	QUALITY SYMBOLS ▽=0 ▽=0 ▽=0	GENERAL TOLERANCES (UNLESS SPECIFIED)		DIMENSION STYLE MM/IN	SCALE 4:1	DESIGN UNITS INCH	THIRD ANGLE PROJECTION
		4 PLACES ± --- ± ---	INCH DATE DMORGAN 2011/11/11	TITLE HOUSING CONNECTOR (2.54/.100) GRID OPT. A STACKABLE SINGLE ROW			
		3 PLACES ± --- ± .010	CHECKED BY DATE WZ 1986/03/27	molex			
		2 PLACES ± 0.25 ± .015	APPROVED BY DATE SMILLER 2012/02/13	MATERIAL NO. SEE CHART	DOCUMENT NO. SD-70066-0001-0024	SHEET NO. 1 OF 1	
1 PLACE ± 0.38 ± ---	ANGULAR ±1/2°		THIS DRAWING CONTAINS INFORMATION THAT IS PROPRIETARY TO MOLEX INCORPORATED AND SHOULD NOT BE USED WITHOUT WRITTEN PERMISSION				
0 PLACE ± ±	DRAFT WHERE APPLICABLE MUST REMAIN WITHIN DIMENSIONS						