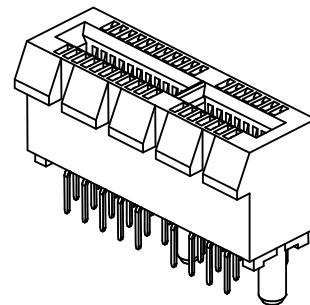
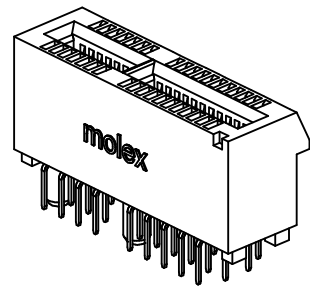
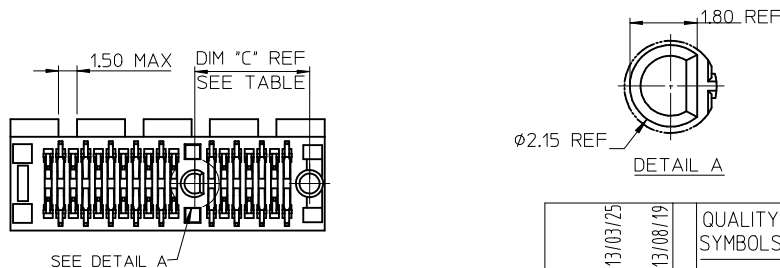


SECTION A-A



NOTES:

1.MATERIALS:

1-1.HOUSING: SEE TABLE ,GLASS FIBER FILLED UL94V-0, COLOR: SEE TABLE.

1-2.CONTACT: SEE TABLE

2.PLATING:

2-1.CONTACT AREA: GOLD, THICKNESS : SEE TABLE .

2-2.SOLDER TAIL: 100 MICRONCH MIN. TIN PLATING.

2-3.UNDER PLATING: NICKEL PLATING OVERALL.

3.DATE CODE: YY MM DD.

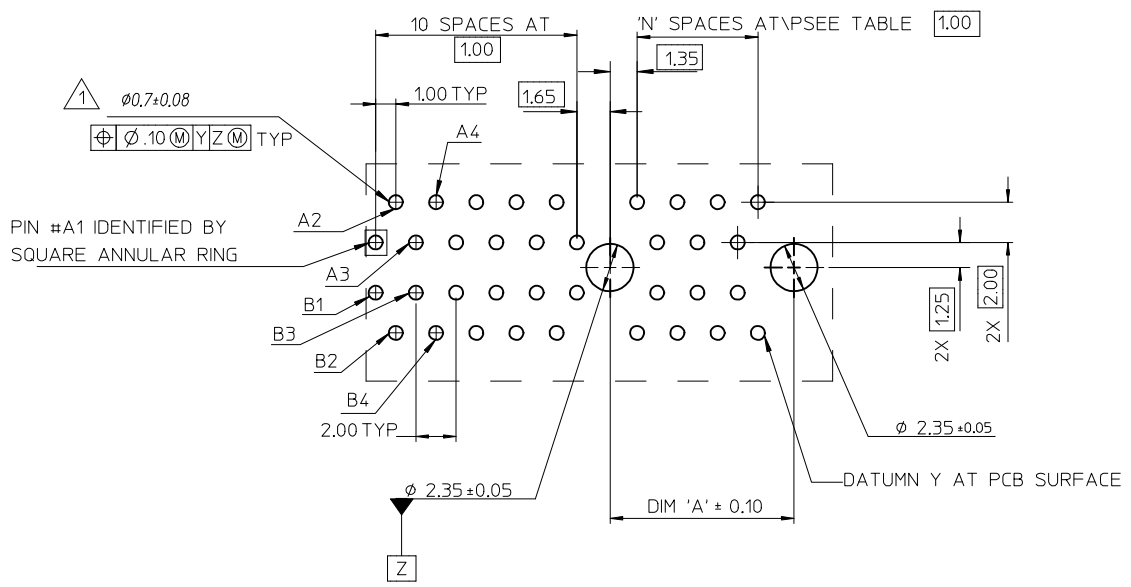
4.PRODUCT SPECIFICATION REFER TO PS-87715-200.

5.TEST SUMMARY:REFER TO TS-87715-207.

CONNECTOR LINK WIDTH	# POS REF	N	DIM 'A'	DIM 'B'	DIM 'C'
X1	36	6	7.65	25.00	9.15
X16	164	70	71.65	89.00	73.15

PCB THK (REF)	DIM 'D'
1.58	2.54
2.36	3.00

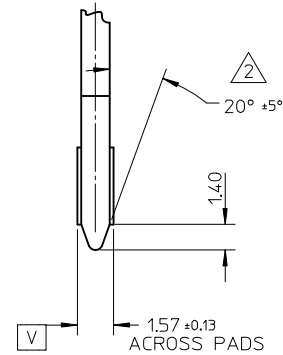
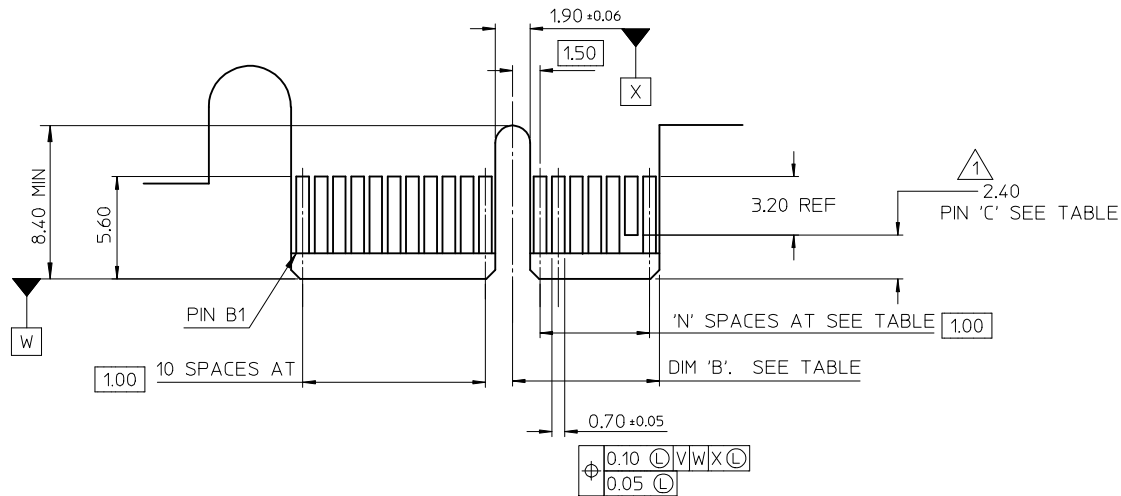
ADDED OPTION EC NO: 2013/03/25 DRWNR:RL109 CHKD: APPR:RZHANG REV:	QUALITY SYMBOLS $F_A=0$ $F_B=0$ $F_C=0$	GENERAL TOLERANCES (UNLESS SPECIFIED)		DIMENSION STYLE MM ONLY		SCALE	DESIGN UNITS METRIC	THIRD ANGLE PROJECTION		
		4 PLACES ± --- ± --- 3 PLACES ± --- ± --- 2 PLACES ± 0.25 ± --- 1 PLACE ± 0.25 ± --- 0 PLACE ± ±	mm INCH	DRAWN BY DAVID HU	DATE 2007/05/14	TITLE PCI EXPRESS EDGE CARD CONNECTOR (LEAD FREE VERSION)				
		ANGULAR ± 3 °	DRAFT WHERE APPLICABLE MUST REMAIN WITHIN DIMENSIONS		CHECKED BY HARVEY	DATE 2007/05/14	molex			
			SEE TABLE		APPROVED BY JENNY CHEN	DATE 2007/05/14	DOCUMENT NO. SD-87715-901		SHEET NO. 1 OF 6	



1 THE HORIZONTAL AXIS FOR THE HOLE PATTERN IS ESTABLISHED BY A LINE THROUGH THE CENTER OF THE TWO $\phi 2.35$ HOLES. THE VERTICAL AXIS IS 90° TO THE HORIZONTAL AXIS, THROUGH THE CENTER OF DATUM Z

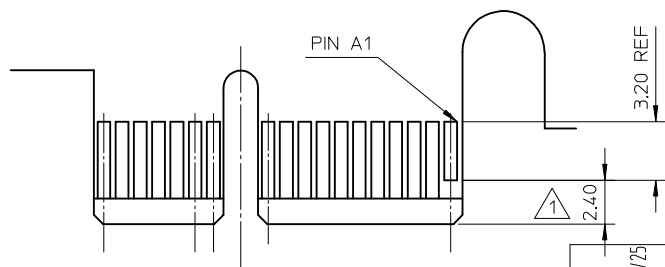
CONNECTOR LINK WIDTH	# POS REF	N	DIM 'A'
X1	36	6	9.15
X16	164	70	73.15

ADDED OPTION EC NO: SH2013-0300 TDRW:RL109 2013/03/25 CHKD: APPR:RZHANG 2013/08/19	QUALITY SYMBOLS	GENERAL TOLERANCES (UNLESS SPECIFIED)		DIMENSION STYLE	SCALE	DESIGN UNITS	THIRD ANGLE PROJECTION
	$F_A=0$	mm	INCH	MM ONLY			
	$F_C=0$	4 PLACES ± --- ± ---	DRAWN BY	DATE	TITLE		
	$F_P=0$	3 PLACES ± --- ± ---	DAVID HU	2007/05/14	PCI EXPRESS		
	2 PLACES ± 0.25 ± ---	CHECKED BY	DATE	EDGE CARD CONNECTOR			
	1 PLACE ± 0.25 ± ---	HARVEY	2007/05/14	(LEAD FREE VERSION)			
	0 PLACE ± ±	APPROVED BY	DATE				
	ANGULAR ± 3 °	JENNY CHEN	2007/05/14				
	DRAFT WHERE APPLICABLE MUST REMAIN WITHIN DIMENSIONS	MATERIAL NO.	SEE TABLE	DOCUMENT NO.	SD-87715-901	SHEET NO.	2 OF 6
		SIZE	A3	THIS DRAWING CONTAINS INFORMATION THAT IS PROPRIETARY TO MOLEX INCORPORATED AND SHOULD NOT BE USED WITHOUT WRITTEN PERMISSION			



← I/O PANEL DIRECTION

PRIMARY (COMPONENT) SIDE



I/O PANEL DIRECTION →

SECONDARY (SOLDER) SIDE

- 1 NO TIE BAR PERMITTED FROM CARD EDGE TO LEADING EDGE OF PAD FOR PINS A1 AND "C".
- 2 CHAMFER EDGES MUST BE FREE OF CUTTING BURRS.
- 3 TOLERANCE: .XX±.13

CONNECTOR LINK WIDTH	# POS REF	N	DIM 'B'	'C' 1
X1	36	6	8.15	B17
X16	164	70	72.15	B17, B31 B48,B81

ADDED OPTION EC NO: SH2013-0300 DRWNR: L109 2013/03/25 CHKD: APPR: RZHANG 2013/08/19	QUALITY SYMBOLS	GENERAL TOLERANCES (UNLESS SPECIFIED)		DIMENSION STYLE MM ONLY		SCALE	DESIGN UNITS METRIC	THIRD ANGLE PROJECTION																				
	$\nabla = 0$ $\nabla = 0$ $\nabla = 0$	<table border="1"> <thead> <tr> <th></th> <th>mm</th> <th>INCH</th> </tr> </thead> <tbody> <tr> <td>4 PLACES</td> <td>± ---</td> <td>± ---</td> </tr> <tr> <td>3 PLACES</td> <td>± ---</td> <td>± ---</td> </tr> <tr> <td>2 PLACES</td> <td>± 0.25</td> <td>± ---</td> </tr> <tr> <td>1 PLACE</td> <td>± 0.25</td> <td>± ---</td> </tr> <tr> <td>0 PLACE</td> <td>±</td> <td>±</td> </tr> </tbody> </table>		mm	INCH	4 PLACES	± ---	± ---	3 PLACES	± ---	± ---	2 PLACES	± 0.25	± ---	1 PLACE	± 0.25	± ---	0 PLACE	±	±	DRAWN BY: DAVID HU DATE: 2007/05/14 CHECKED BY: HARVEY DATE: 2007/05/14 APPROVED BY: JENNY CHEN DATE: 2007/05/14		TITLE		PCI EXPRESS EDGE CARD CONNECTOR (LEAD FREE VERSION)			
		mm	INCH																									
	4 PLACES	± ---	± ---																									
3 PLACES	± ---	± ---																										
2 PLACES	± 0.25	± ---																										
1 PLACE	± 0.25	± ---																										
0 PLACE	±	±																										
ANGULAR ± 3 ° DRAFT WHERE APPLICABLE MUST REMAIN WITHIN DIMENSIONS		SEE TABLE		MATERIAL NO.		DOCUMENT NO.		SHEET NO.																				

PCI EXPRESS
EDGE CARD CONNECTOR
(LEAD FREE VERSION)

molex

SD-87715-901

3 OF 6

THIS DRAWING CONTAINS INFORMATION THAT IS PROPRIETARY TO MOLEX INCORPORATED AND SHOULD NOT BE USED WITHOUT WRITTEN PERMISSION

F

E

D

C

B

A

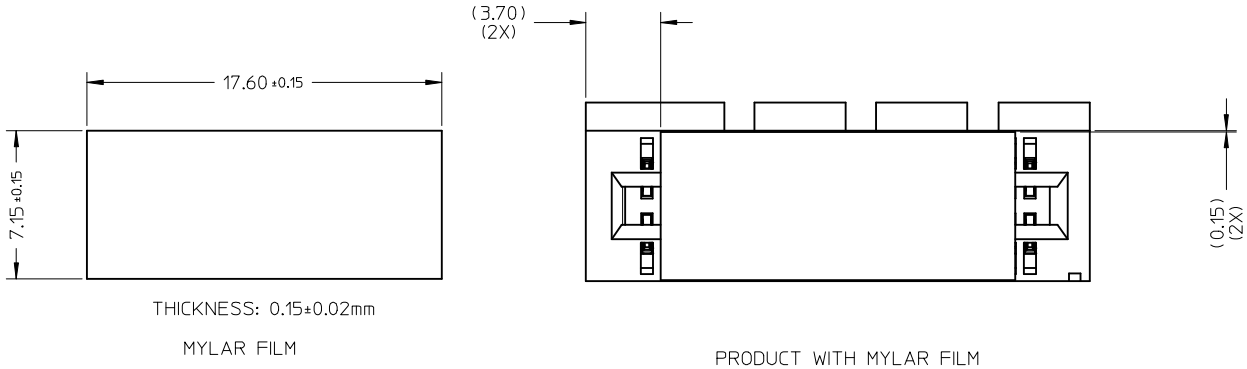
MOLEX P/N	CIRCUIT SIZE	HOUSING MATERIAL	HOUSING COLOR	TERMINAL MATERIAL	CONTACT PLATING	SOLDER TAIL "D" LENGTH	PEG 1	PEG 2	DESCRIPTION	PACKING	
87715-9000	36	NYLON46	BLACK	PHOSPHOR BRONZE	GOLD FLASH	2.54	WITH	WITH	TOOLED	TRAY	
87715-9002					15 MICROINCH						
87715-9005					15 MICROINCH	3.00					
87715-9006					30 MICROINCH						2.54
87715-9009					30 MICROINCH						

MOLEX P/N	CIRCUIT SIZE	HOUSING MATERIAL	HOUSING COLOR	TERMINAL MATERIAL	CONTACT PLATING	SOLDER TAIL "D" LENGTH	PEG 1	PEG 2	DESCRIPTION	PACKING	
87715-9300	164	NYLON46	BLACK	PHOSPHOR BRONZE	GOLD FLASH	2.54	WITH	WITH	TOOLED	TRAY	
87715-9302					15 MICROINCH						
87715-9303					GOLD FLASH	3.00					
87715-9305					15 MICROINCH						2.54
87715-9306					30 MICROINCH						
87715-9309					30 MICROINCH						

ADDED OPTION EC NO: SH2013-0300 2013/03/25 TDRW:RL109 CHKD: APPR:RZHANG 2013/06/19	QUALITY SYMBOLS	GENERAL TOLERANCES (UNLESS SPECIFIED)	DIMENSION STYLE	SCALE	DESIGN UNITS	THIRD ANGLE PROJECTION	
	$F_A=0$	mm INCH	MM ONLY		METRIC		
	$F_G=0$	4 PLACES ± --- ± ---	DRAWN BY DATE	TITLE PCI EXPRESS EDGE CARD CONNECTOR (LEAD FREE VERSION) molex MATERIAL NO. DOCUMENT NO. SHEET NO. SEE TABLE SD-87715-901 4 OF 6			
	$F_C=0$	3 PLACES ± --- ± ---	CHECKED BY DATE				
	$F_D=0$	2 PLACES ± 0.25 ± ---	HARVEY 2007/05/14				
	1 PLACE ± 0.25 ± ---	APPROVED BY DATE					
	0 PLACE ± ±	JENNY CHEN 2007/05/14					
	ANGULAR ± 3 °	DRAFT WHERE APPLICABLE MUST REMAIN WITHIN DIMENSIONS	SIZE	THIS DRAWING CONTAINS INFORMATION THAT IS PROPRIETARY TO MOLEX INCORPORATED AND SHOULD NOT BE USED WITHOUT WRITTEN PERMISSION			

THIS SHEET IS ONLY FOR 87715-0006

MOLEX PN	CIRCUIT SIZE	HOUSING MATERIAL	HOUSING COLOR	TERMINAL MATERIAL	CONTACT PLATING	SOLDER TAIL "D" LENGTH	PEG 1	PEG 2	DESCRIPTION	MYLAR FILM	PACKAGING
87715-0006	36	NYLON 46	BLACK	PHOSPHOR BRONZE	30 MICROINCH	2.54	WITH	WITH	TOOLED	WITH	TAPE & REEL PK-87715-006



ADDED OPTION EC NO: SH2013-0300 TDRW:RL109 2013/03/25 CHKD: APPR:RZHANG 2013/08/19	QUALITY SYMBOLS	GENERAL TOLERANCES (UNLESS SPECIFIED)		DIMENSION STYLE MM ONLY		SCALE 1:1	DESIGN UNITS METRIC	THIRD ANGLE PROJECTION
	$F_A=0$	mm	INCH	DRAWN BY	DATE	TITLE		
	$F_G=0$	4 PLACES ± ---	± ---	DAVID HU	2007/05/14	PCI EXPRESS EDGE CARD CONNECTOR (LEAD FREE VERSION)		
	$F_P=0$	3 PLACES ± ---	± ---	CHECKED BY	DATE			
	2 PLACES ± 0.25	± ---	HARVEY	2007/05/14	molex			
	1 PLACE ± 0.25	± ---	APPROVED BY	DATE				
	0 PLACE ±	±	JENNY CHEN	2007/05/14	MATERIAL NO.	DOCUMENT NO.	SHEET NO.	
		ANGULAR ± 3 °		SEE TABLE		SD-87715-901	5 OF 6	
		DRAFT WHERE APPLICABLE MUST REMAIN WITHIN DIMENSIONS		THIS DRAWING CONTAINS INFORMATION THAT IS PROPRIETARY TO MOLEX INCORPORATED AND SHOULD NOT BE USED WITHOUT WRITTEN PERMISSION				

THIS SHEET IS ONLY FOR 87715-0016

MOLEX PN	CIRCUIT SIZE	HOUSING MATERIAL	HOUSING COLOR	TERMINAL MATERIAL	CONTACT PLATING	SOLDER TAIL "D" LENGTH	PEG 1	PEG 2	DESCRIPTION	PACKAING
87715-0016	36	NYLON 46	BLACK	PHOSPHOR BRONZE	30 MICRINCH	2.54	WITH	WITH	TOOLED	TAPE & REEL PK-87715-016

ADDED OPTION EC NO: SH2013-0436 2013/03/25 T DRWNR109 CHKD: APPR:	QUALITY SYMBOLS	GENERAL TOLERANCES (UNLESS SPECIFIED)		DIMENSION STYLE MM ONLY		SCALE 1:1	DESIGN UNITS METRIC	THIRD ANGLE PROJECTION	
	$\nabla_A = 0$	4 PLACES	mm	INCH	DRAWN BY	DATE	TITLE PCI EXPRESS EDGE CARD CONNECTOR (LEAD FREE VERSION)		
	$\nabla_G = 0$	3 PLACES	± ---	± ---	DAVID HU	2007/05/14			
	$\nabla_F = 0$	2 PLACES	± ---	± ---	CHECKED BY	DATE	DOCUMENT NO. SD-87715-901		
	$\nabla_P = 0$	1 PLACE	± 0.25	± ---	HARVEY	2007/05/14			
	0 PLACE	±	±	APPROVED BY	DATE	SHEET NO. 5 OF 6			
				JENNY CHEN	2007/05/14				
		ANGULAR ± 3°		MATERIAL NO.					
		DRAFT WHERE APPLICABLE		SEE TABLE					
		MUST REMAIN WITHIN DIMENSIONS		SIZE A3		THIS DRAWING CONTAINS INFORMATION THAT IS PROPRIETARY TO MOLEX INCORPORATED AND SHOULD NOT BE USED WITHOUT WRITTEN PERMISSION			