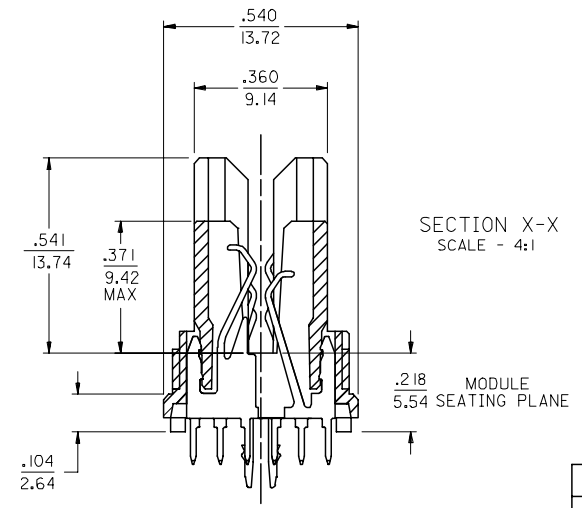
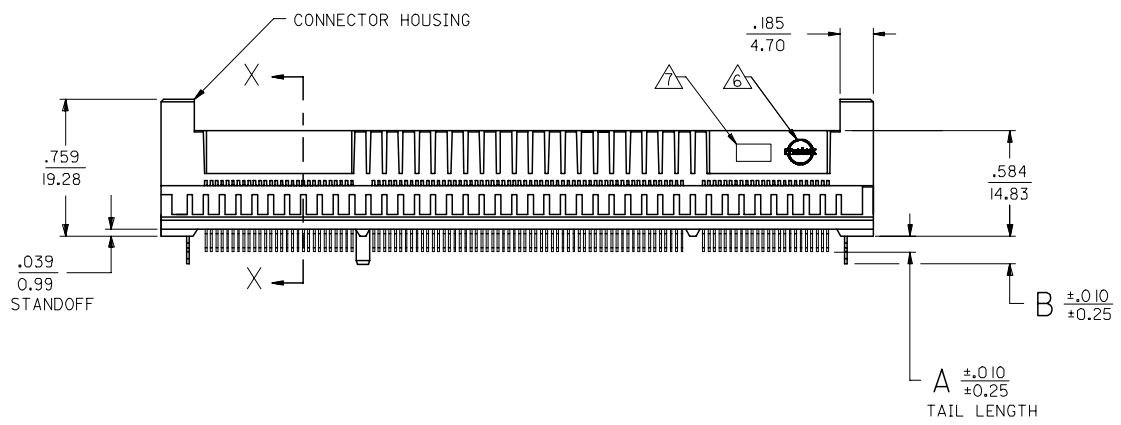
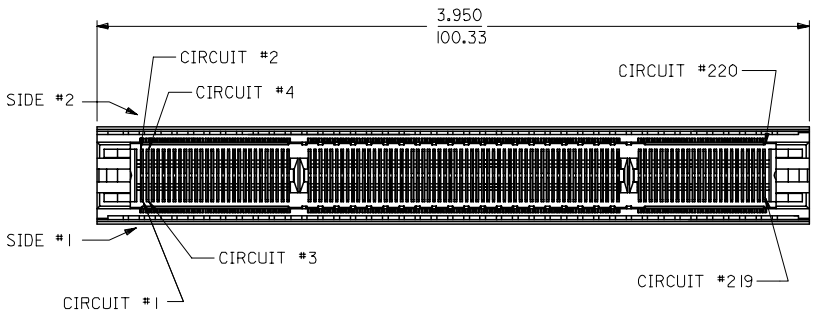


**NOTES:**

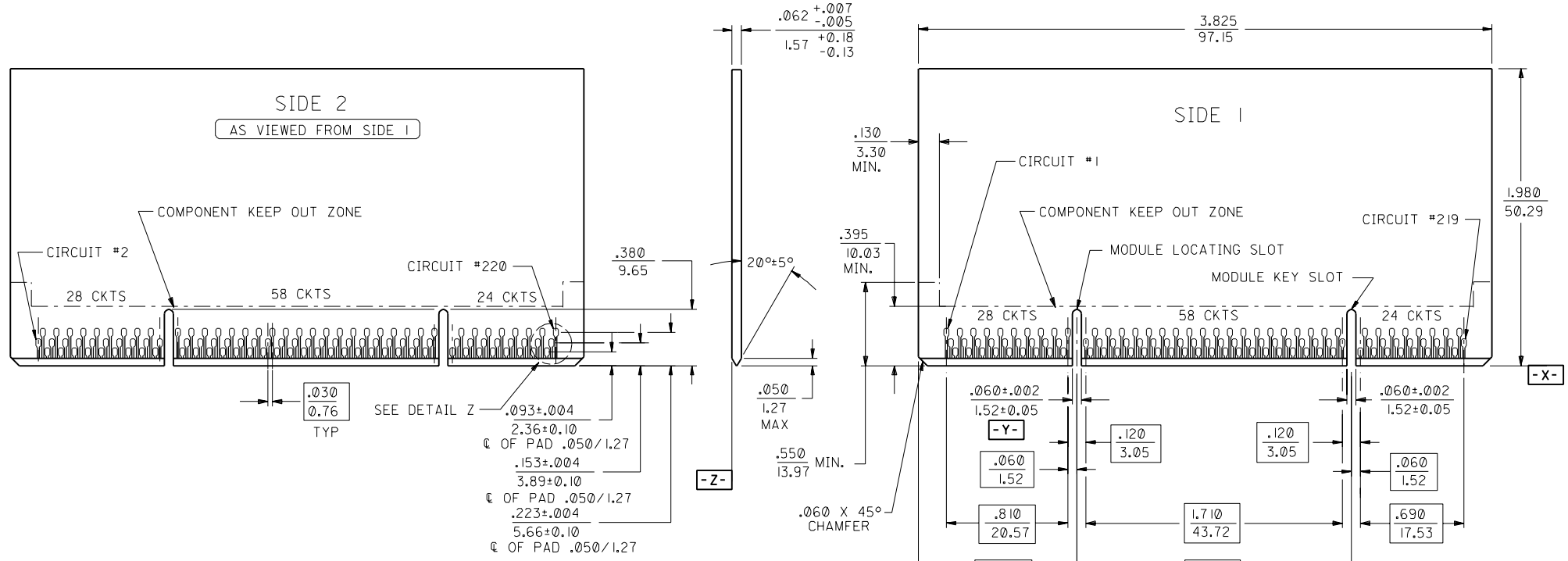
1. MATERIALS:  
HOUSING - LCP, 30% GLASS FILLED, 94-V0, BLACK.  
TERMINALS - PHOSPHOR BRONZE.  
METAL FORKLOCKS - PHOSPHOR BRONZE.
2. FINISH:  
TERMINALS - .000030/0.00076 MINIMUM GOLD IN THE CONTACT AREA AND .000075/0.0019 MINIMUM TIN IN SOLDER TAIL AREA OVER .000050/0.0013 MINIMUM NICKEL OVERALL.  
METAL FORKLOCKS - .00008/0.002 MINIMUM TIN OVERALL.
3. PRODUCT SPECIFICATION PS-71109-9999 APPLIES.
4. CARD SLOT ACCEPTS .062 +.007/-.005 P.C. BOARD.
5. THE RECOMMENDED PLATING SPECIFICATION FOR THE MATING PC BOARD IS .000030/0.0076 MINIMUM GOLD OVER .000075/0.0019 MINIMUM NICKEL.
6. MOLEX LOGO SHALL APPEAR ON BOTH SIDES OF HOUSING, AND LOCATED APPROXIMATELY AS SHOWN.
7. FOUR DIGIT DATE CODE (YR/WK) SHALL BE LOCATED APPROXIMATELY AS SHOWN.
8. THE PRIMARY SHIPPING CARTON WILL BE LABELED "COMPLIANT TO ROHS DIRECTIVE 2002/95/EC AND ELV ANNEX II OF DIRECTIVE 2000/53/EC". CARTONS WITHOUT THIS LABEL MAY CONTAIN PRODUCT WITH LEAD.



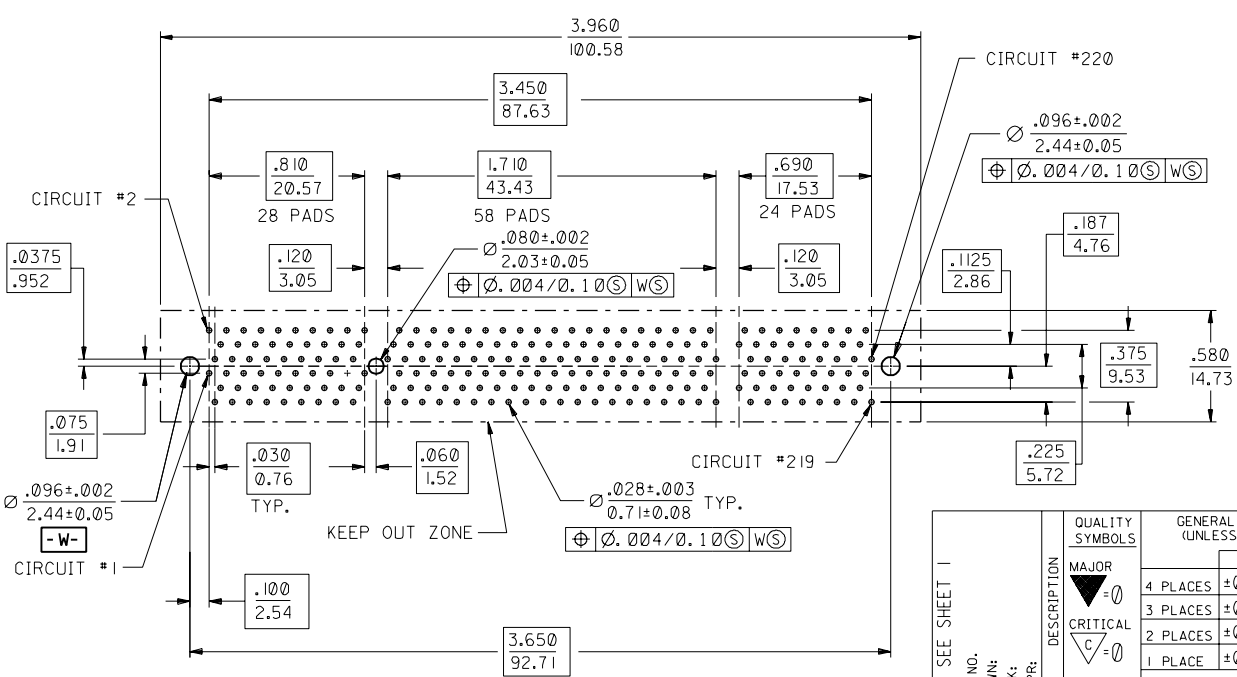
71109-5003	.140/3.56	.155/3.94
71109-5002	.115/2.92	.155/3.94
71109-5001	.090/2.29	.155/3.94
MAT'L NUMBER	A	B

MODIFY 71109-5003 EC NO: UCP2006-1372 DRWNS:BARRA 2005/12/19 CHKD:DMORGAN 2006/01/05 APPR:SMILLER 2006/01/06	QUALITY SYMBOLS ▽=0 ▽=0	GENERAL TOLERANCES (UNLESS SPECIFIED)		DIMENSION STYLE IN/MM		SCALE 2:1	DESIGN UNITS INCH	THIRD ANGLE PROJECTION	
		4 PLACES ± --- ± --- 3 PLACES ± --- ± .005 2 PLACES ± 0.13 ± --- 1 PLACE ± --- ± --- ANGULAR ±1/2°	DRAWN BY NELSON	DATE 1997/06/20	TITLE SALES ASSEMBLY 220 CKT HISPEC CONNECTOR W/ METAL FORKLOCKS		SHEET NO. 1 OF 2		
		DRAFT WHERE APPLICABLE MUST REMAIN WITHIN DIMENSIONS	CHECKED BY NELSON	DATE 1997/06/20	MOLEX INCORPORATED				
		MATERIAL NO. SEE TABLE	APPROVED BY FUNCK	DATE 1997/06/20	DOCUMENT NO. SD-71109-502		THIS DRAWING CONTAINS INFORMATION THAT IS PROPRIETARY TO MOLEX INCORPORATED AND SHOULD NOT BE USED WITHOUT WRITTEN PERMISSION		

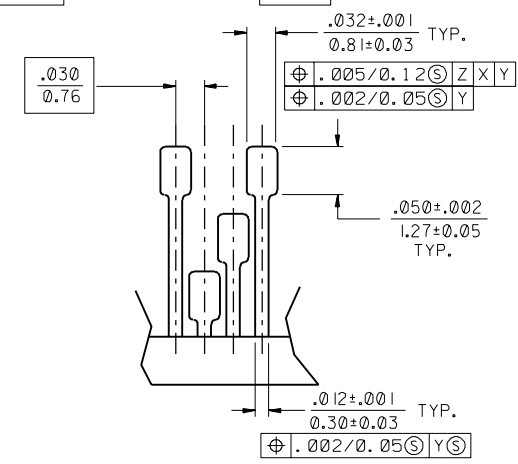
2	D
1	H
SHT	REV



RECOMMENDED MODULE BOARD LAYOUT



RECOMMENDED PCB HOLE LAYOUT



DETAIL Z

SCALE 10:1

SEE SHEET 1	QUALITY SYMBOLS MAJOR $\nabla = 0$ CRITICAL $\nabla = 0$	GENERAL TOLERANCES: (UNLESS SPECIFIED)		SCALE 2:1	DESIGN UNITS <input type="checkbox"/> mm <input checked="" type="checkbox"/> INCH	THIRD ANGLE PROJECTION <input type="checkbox"/> mm <input checked="" type="checkbox"/> INCH <input type="checkbox"/> ONLY	SHT	REV
		4 PLACES ±0.	±.	DRAWN BY & DATE NELSON 06/20/97	TITLE: SALES ASSEMBLY 220 CKT "HiSpec" CONNECTOR THRU-HOLE W/ METAL FORKLLOCKS		REVISE ON CAD ONLY	
D	REV	3 PLACES ±0.	±.005	CHECKED BY & DATE NELSON 06/20/97	APPROVED BY & DATE FUNCK 06/20/97		MATERIAL NO. SEE TABLE	
		2 PLACES ±0.13	±.	CAD FILENAME S7110963.S02	DRAWING NO. SD-71109-502		SHEET NO. 2	
		1 PLACE ±0.	±.	DRAFT WHERE APPLICABLE MUST REMAIN WITHIN DIMENSIONS		THIS DRAWING CONTAINS INFORMATION THAT IS PROPRIETARY TO MOLEX INCORPORATED AND SHOULD NOT BE USED WITHOUT WRITTEN PERMISSION.		SIZE C