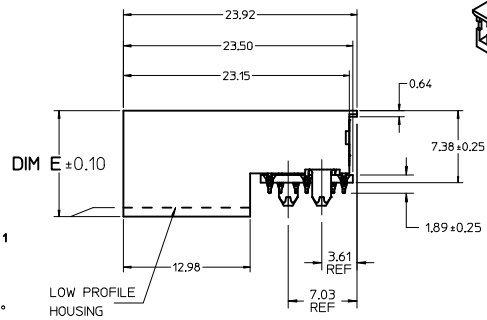
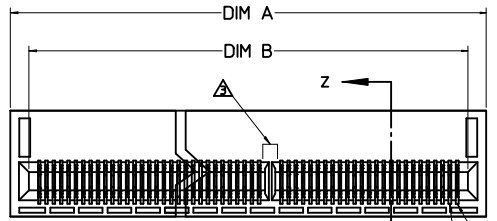
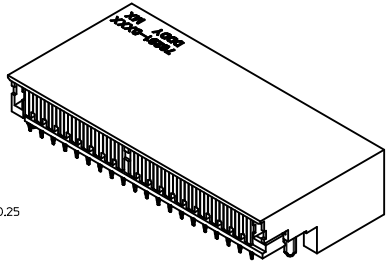
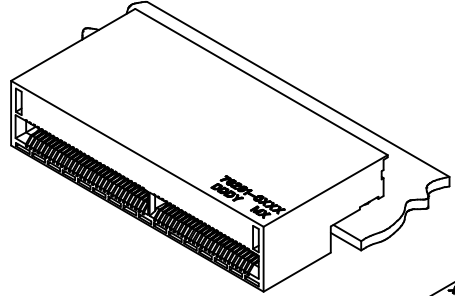
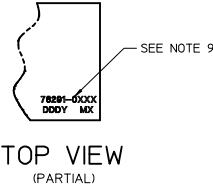
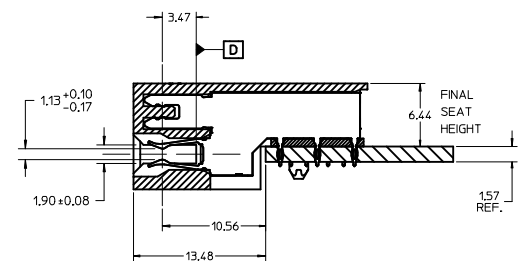
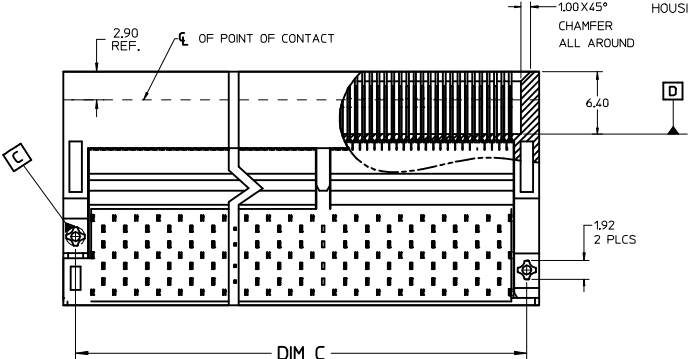


| PART NUMBER | | STATUS | CKTS | DIM A | DIM B | DIM C | DIM D | POWER POS. | DIM E |
|-------------|------------------|------------|------|--------|-------|-------|-------|------------|-------|
| TIN | TIN FINISH/TREND | | | | | | | | |
| 762910008 | 762910008 | NOT TOOLED | 8 | 8.19 | 4.40 | 5.65 | 4.25 | - | 10.84 |
| 762910014 | 762910014 | NOT TOOLED | 14 | 10.44 | 6.65 | 7.90 | 6.50 | - | 10.84 |
| 762910020 | 762910020 | NOT TOOLED | 20 | 12.69 | 8.90 | 10.15 | 8.75 | - | 10.84 |
| 762910026 | 762910026 | NOT TOOLED | 26 | 14.94 | 11.15 | 12.40 | 11.00 | - | 10.84 |
| 762910032 | 762910032 | NOT TOOLED | 32 | 17.19 | 13.40 | 14.65 | 13.25 | - | 10.84 |
| 762910038 | 762910038 | NOT TOOLED | 38 | 19.44 | 15.60 | 16.90 | 15.50 | - | 10.84 |
| 762910044 | 762910044 | NOT TOOLED | 44 | 21.69 | 17.90 | 19.15 | 17.75 | - | 10.84 |
| 762910050 | 762910050 | NOT TOOLED | 50 | 23.94 | 20.15 | 21.40 | 20.00 | - | 10.84 |
| 762910056 | 762910056 | NOT TOOLED | 56 | 26.19 | 22.40 | 23.65 | 22.25 | - | 10.84 |
| 762910062 | 762910062 | NOT TOOLED | 62 | 28.44 | 24.65 | 25.90 | 24.50 | - | 10.84 |
| 762910068 | 762910068 | NOT TOOLED | 68 | 30.69 | 26.90 | 28.15 | 26.75 | - | 10.84 |
| 762910074 | 762910074 | NOT TOOLED | 74 | 32.94 | 29.15 | 30.40 | 29.00 | - | 10.84 |
| 762910080 | 762910080 | NOT TOOLED | 80 | 35.19 | 31.40 | 32.65 | 31.25 | - | 10.84 |
| 762910086 | 762910086 | NOT TOOLED | 86 | 37.44 | 33.65 | 34.90 | 33.50 | - | 10.84 |
| 762910092 | 762910092 | NOT TOOLED | 92 | 39.69 | 35.90 | 37.15 | 35.75 | - | 10.84 |
| 762910098 | 762910098 | NOT TOOLED | 98 | 41.94 | 38.15 | 39.40 | 38.00 | - | 10.84 |
| 762911004 | 762911004 | NOT TOOLED | 104 | 44.19 | 40.40 | 41.65 | 40.25 | - | 10.84 |
| 762911010 | 762911010 | NOT TOOLED | 110 | 46.44 | 42.65 | 43.90 | 42.50 | - | 10.84 |
| 762911016 | 762911016 | NOT TOOLED | 116 | 48.69 | 44.90 | 46.15 | 44.75 | - | 10.84 |
| 762911022 | 762911022 | NOT TOOLED | 122 | 50.94 | 47.15 | 48.40 | 47.00 | - | 10.84 |
| 762911028 | 762911028 | NOT TOOLED | 128 | 53.19 | 49.40 | 50.65 | 49.25 | - | 10.84 |
| 762911034 | 762911034 | NOT TOOLED | 134 | 55.44 | 51.65 | 52.90 | 51.50 | - | 10.84 |
| 762911040 | 762911040 | NOT TOOLED | 140 | 57.69 | 53.90 | 55.15 | 53.75 | - | 10.84 |
| 762911046 | 762911046 | NOT TOOLED | 146 | 59.94 | 56.15 | 57.40 | 56.00 | - | 10.84 |
| 762911052 | 762911052 | NOT TOOLED | 152 | 62.19 | 58.40 | 59.65 | 58.25 | - | 10.84 |
| 762911058 | 762911058 | NOT TOOLED | 158 | 64.44 | 60.65 | 61.90 | 60.50 | - | 10.84 |
| 762911064 | 762911064 | NOT TOOLED | 164 | 66.69 | 62.90 | 64.15 | 62.75 | - | 10.84 |
| 762911070 | 762911070 | NOT TOOLED | 170 | 68.94 | 65.15 | 66.40 | 65.00 | - | 10.84 |
| 762911076 | 762911076 | NOT TOOLED | 176 | 71.19 | 67.40 | 68.65 | 67.25 | - | 10.84 |
| 762911082 | 762911082 | NOT TOOLED | 182 | 73.44 | 69.65 | 70.90 | 69.50 | - | 10.84 |
| 762911088 | 762911088 | NOT TOOLED | 188 | 75.69 | 71.90 | 73.15 | 71.75 | - | 10.84 |
| 762911094 | 762911094 | NOT TOOLED | 194 | 77.94 | 74.15 | 75.40 | 74.00 | - | 10.84 |
| 762911100 | 762911100 | NOT TOOLED | 200 | 80.19 | 76.40 | 77.65 | 76.25 | - | 10.84 |
| 762911106 | 762911106 | NOT TOOLED | 206 | 82.44 | 78.65 | 79.90 | 78.50 | - | 10.84 |
| 762911112 | 762911112 | NOT TOOLED | 212 | 84.69 | 80.90 | 82.15 | 80.75 | - | 10.84 |
| 762911118 | 762911118 | NOT TOOLED | 218 | 86.94 | 83.15 | 84.40 | 83.00 | - | 10.84 |
| 762911124 | 762911124 | NOT TOOLED | 224 | 89.19 | 85.40 | 86.65 | 85.25 | - | 10.84 |
| 762911130 | 762911130 | NOT TOOLED | 230 | 91.44 | 87.65 | 88.90 | 87.50 | - | 10.84 |
| 762911136 | 762911136 | NOT TOOLED | 236 | 93.69 | 89.90 | 91.15 | 89.75 | - | 10.84 |
| 762911142 | 762911142 | NOT TOOLED | 242 | 95.94 | 92.15 | 93.40 | 92.00 | - | 10.84 |
| 762911148 | 762911148 | NOT TOOLED | 248 | 98.19 | 94.40 | 95.65 | 94.25 | - | 10.84 |
| 762911154 | 762911154 | NOT TOOLED | 254 | 100.44 | 96.65 | 97.90 | 96.50 | - | 10.84 |



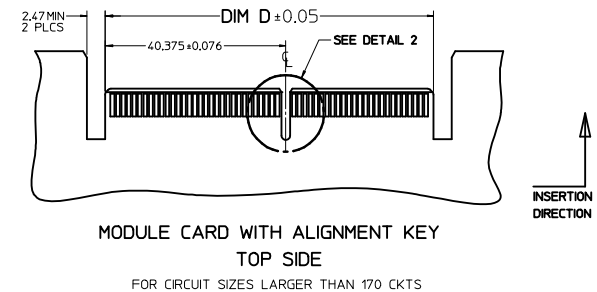
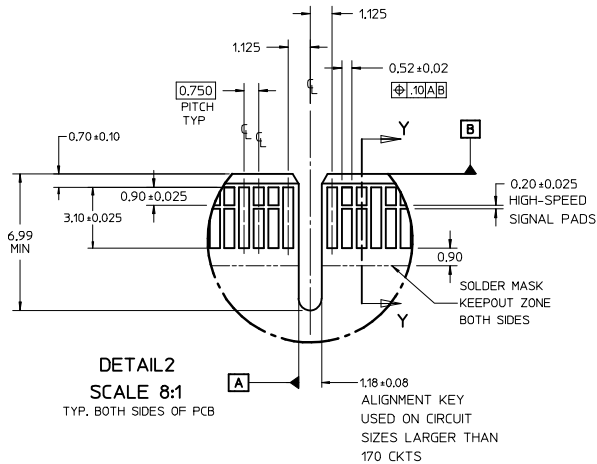
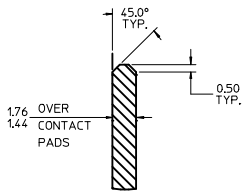
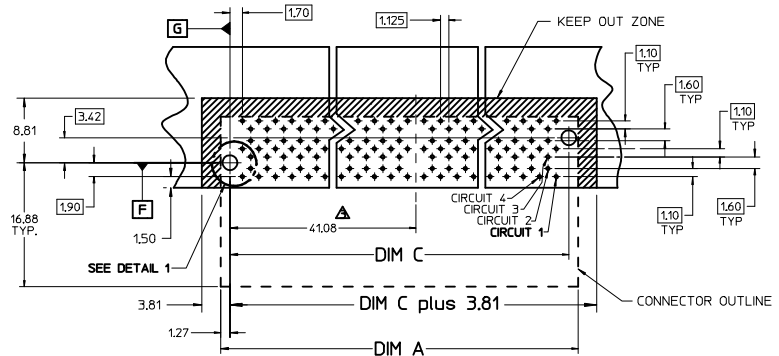
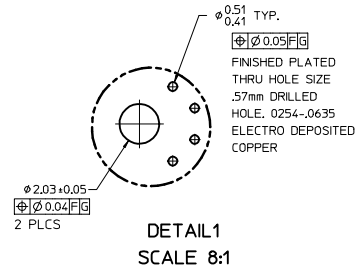
LOW PROFILE



SECTION Z-Z

- NOTES:
- MATERIAL -
CONNECTOR HOUSING - GLASS FILLED LCP, 94V-0, BLACK
OVERMOLDING ON TERMINALS: GLASS FILLED LCP, 94V-0, BLACK
TERMINALS: COPPER ALLOY, SPRING TEMPER
 - TERMINAL FINISH:
CONTACT AREA: .75µm HARD GOLD OVER 3.8µm MIN NICKEL.
COMPLIANT AREA: .75-1.50µm TIN OVER .75µm - 1.50µm NICKEL.
 - FOR CIRCUIT SIZES GREATER THAN 170, A CENTER ALIGNMENT KEY WILL BE USED.
 - REFER TO PS-76291-001 PRODUCT SPEC FOR ALL ELECTRICAL, MECHANICAL, AND ENVIRONMENTAL SPECIFICATIONS.
 - REFER TO PK-76291-001 FOR ALL PACKAGING SPECIFICATIONS.
 - REFER TO AS-76291-001 FOR BOARD APPLICATION INFORMATION.
 - MODULE BOARD CONTACT PAD PLATING TO BE .76µm MIN HARD GOLD OVER 2.54µm MIN NICKEL.
 - MODULE BOARD CONTACT PAD SURFACE ROUGHNESS NOT TO EXCEED Ra 0.2µm.
 - PART TO BE LASER MARKED WITH PART NUMBER, WHERE XXX IS THE CIRCUIT SIZE OR POWER WAFER OPTION, MANUFACTURING FACILITY, AND DATE CODE IN THE FORMAT OF: DAY OF THE YEAR AND LAST DIGIT OF THE YEAR: DDDY

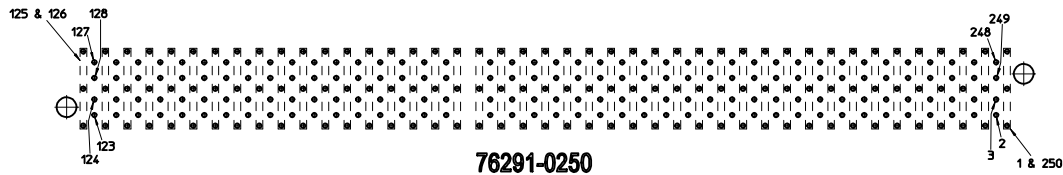
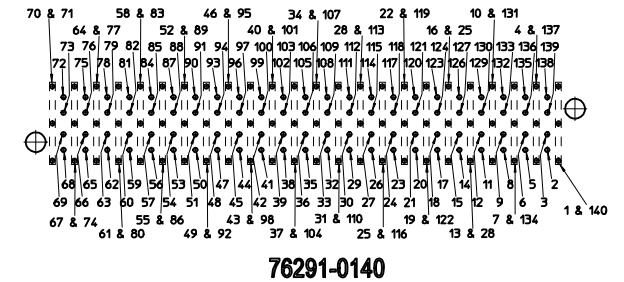
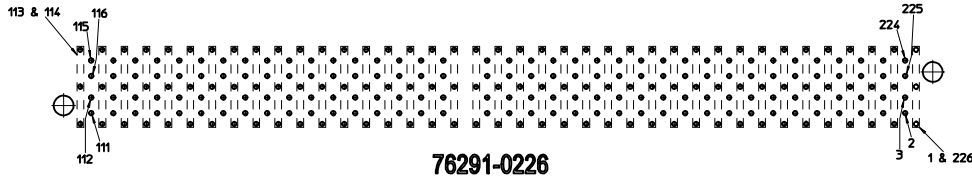
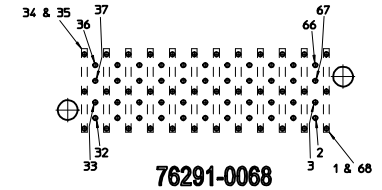
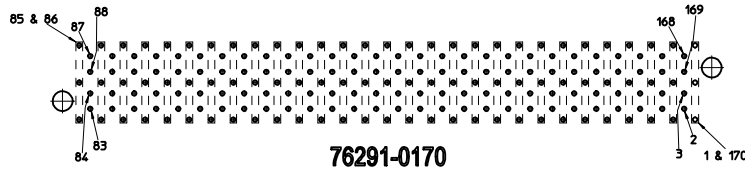
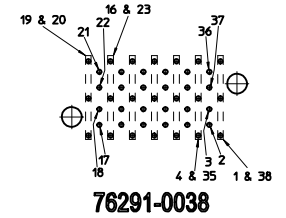
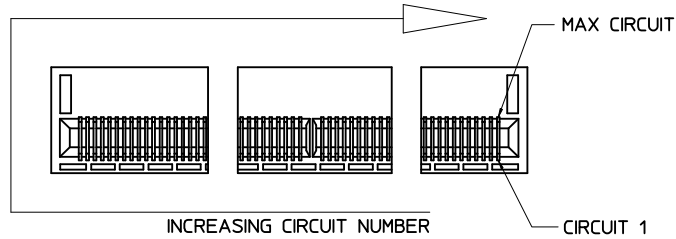
| | | | | | | |
|---|-----------------|--|---|--------------|---|------------------------|
| Rev: DIM E LowProfile EC NO: LCP2014-4718 DRWNS: B061EL CHKD: APPR: MBANKIS 2013/11/19 2014/05/12 | QUALITY SYMBOLS | GENERAL TOLERANCES (UNLESS SPECIFIED) | DIMENSION STYLE | SCALE | DESIGN UNITS | THIRD ANGLE PROJECTION |
| | ▽=0 | 4 PLACES ± mm | MM ONLY | 4:1 | METRIC | ☉ |
| | ▽=0 | 3 PLACES ± INCH | | | | |
| | ▽=0 | 2 PLACES ± 0.13 | | | | |
| | | 1 PLACE ± 0.25 | | | | |
| | | 0 PLACE ± | | | | |
| | | ANGULAR ±1/2° | | | | |
| | | DRAFT WHERE APPLICABLE MUST REMAIN WITHIN DIMENSIONS | | | | |
| | | | SEE CHART | | | |
| | | | DRAWN BY: HAVERY DATE: 2010/11/16 | | TITLE: .75 COPLANAR CONNECTOR GENERAL SALES DRAWING | |
| | | | CHECKED BY: DATE: | | | |
| | | | APPROVED BY: MBANKIS DATE: 2010/11/17 | | | |
| | | | MATERIAL NO. | DOCUMENT NO. | SHEET NO. | |
| | | | SEE CHART | SD-76291-001 | 1 OF 3 | |
| | | | THIS DRAWING CONTAINS INFORMATION THAT IS PROPRIETARY TO MOLEX INCORPORATED AND SHOULD NOT BE USED WITHOUT WRITTEN PERMISSION | | | |



| | | | | | | | |
|---|---|---|---|--|---|---|---------------------|
| SEE SHEET 1 EC NO: UCP2014-4718 DRAWNS: SPOGIEL 2013/11/19 CHKD: APPR: MBANKIS 2014/05/12 | QUALITY SYMBOLS ∇=0 ∇=0 ∇=0 | GENERAL TOLERANCES (UNLESS SPECIFIED) DIMENSION STYLE MM ONLY | DIMENSION STYLE MM ONLY DRAWN BY DATE HAVERY 2010/11/16 CHECKED BY DATE APPROVED BY DATE MBANKIS 2010/11/17 | SCALE 4:1 DESIGN UNITS METRIC THIRD ANGLE PROJECTION | TITLE .75 COPLANAR CONNECTOR GENERAL SALES DRAWING | MATERIAL NO. SEE CHART DOCUMENT NO. SD-76291-001 | SHEET NO. 2 OF 3 |
| | ANGULAR ±1/2° DRAFT WHERE APPLICABLE MUST REMAIN WITHIN DIMENSIONS | THIS DRAWING CONTAINS INFORMATION THAT IS PROPRIETARY TO MOLEX INCORPORATED AND SHOULD NOT BE USED WITHOUT WRITTEN PERMISSION | | | | | |

PCB PIN-OUT ASSIGNMENTS

(TOP SIDE OF BOARD SHOWN)



FRONT EDGE OF PCB

NOTES ON CIRCUIT DESIGNATIONS:

1. CIRCUIT 1 STARTS AT LOWER RIGHT HAND CORNER AND INCREASES TO THE LEFT ACROSS THE BOTTOM AND INCREASES TO THE RIGHT ACROSS THE TOP.
2. THERE IS NOT A 1:1 CORRESPONDENCE BETWEEN THE CIRCUIT NUMBER AND THE TAIL HOLE LOCATIONS. EACH GROUND HAS TWO CONTACTS AND THREE TAILS. THE BOXES AROUND THE THREE VERTICAL HOLES INDICATE THE UPPER AND LOWER GROUND CONTACTS SHARE THE THREE TAIL HOLE LOCATIONS.

| | | | | | | |
|--|----------------------|--|--------------------|---|--------------|---|
| SEE SHEET 1 EC NO: UCP2014-4718 DRWNSB01EL 2013/11/19 CHKD: APPROBANKIS 2014/05/12 | QUALITY SYMBOLS | GENERAL TOLERANCES (UNLESS SPECIFIED) | DIMENSION STYLE | SCALE | DESIGN UNITS | THIRD ANGLE PROJECTION |
| | ▽=0 | 4 PLACES ±--- ±--- | MM ONLY | 4:1 | METRIC | TITLE .75 COPLANAR CONNECTOR GENERAL SALES DRAWING molex DOCUMENT NO. SD-76291-001 SHEET NO. 3 OF 3 |
| | ▽=0 | 3 PLACES ±--- ±--- | DRAWN BY DATE | HAVERY 2010/11/16 | DATE | |
| | ▽=0 | 2 PLACES ±0.13 ±--- | CHECKED BY DATE | DATE | DATE | |
| ▽=0 | 1 PLACE ±0.25 ±--- | APPROVED BY DATE | MBANKIS 2010/11/17 | DATE | | |
| | | 0 PLACE ±--- ±--- | ANGULAR ±1/2° | MATERIAL NO. | SEE CHART | |
| | | DRAFT WHERE APPLICABLE MUST REMAIN WITHIN DIMENSIONS | SIZE D | THIS DRAWING CONTAINS INFORMATION THAT IS PROPRIETARY TO MOLEX INCORPORATED AND SHOULD NOT BE USED WITHOUT WRITTEN PERMISSION | | |