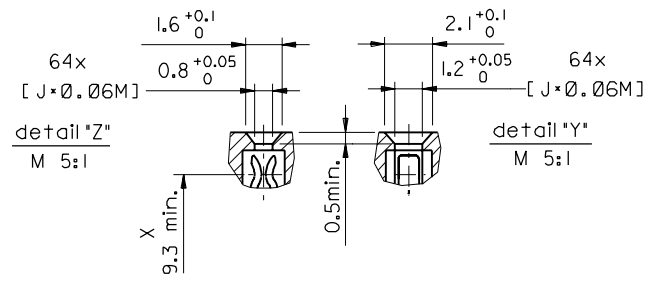
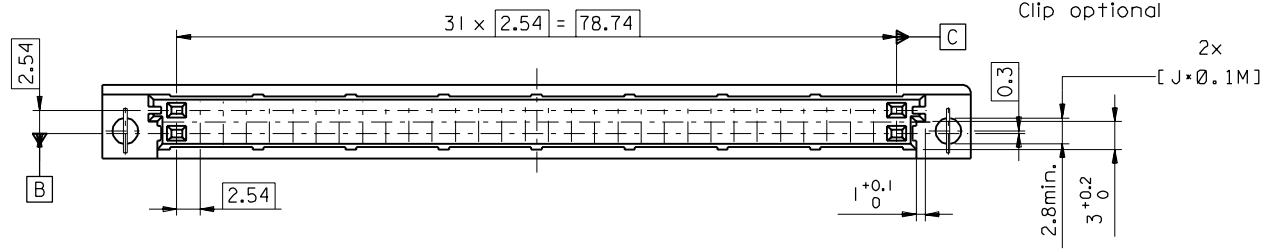
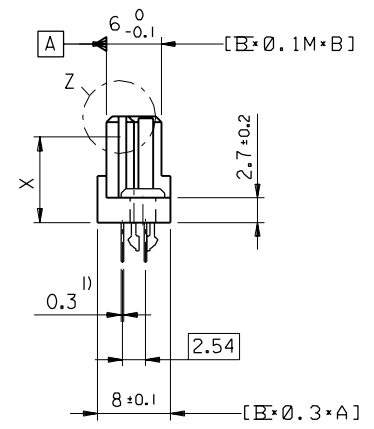
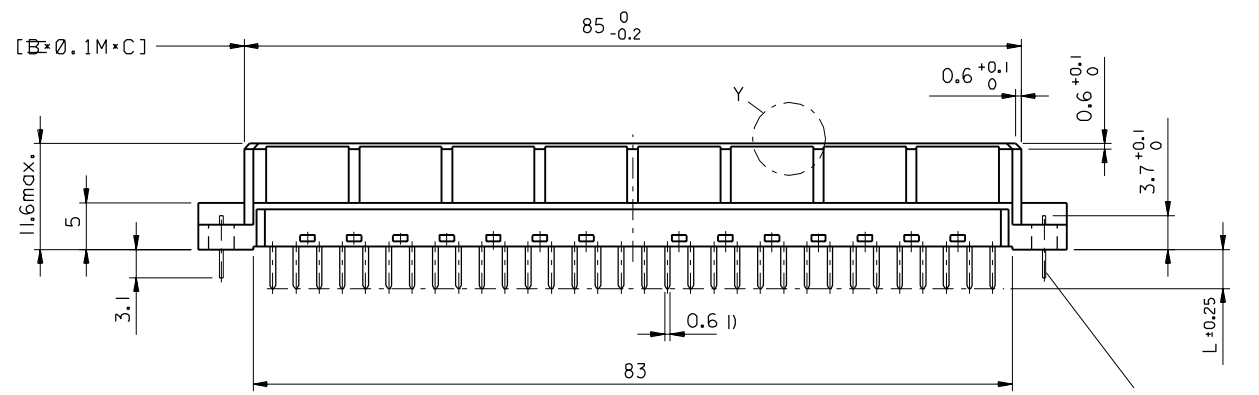


1) tails to fit in PC-board layout



| | | | |
|---|--|---|--|
| ECN MG1998-2727 new fixing clip 98-04-14 Co | REVISIONS FOR PREVIOUS REVISIONS SEE MRI LIST | 3 PLACE ± | ± |
| | | 2 PLACE ± | ± |
| C | LTR | 1 PLACE ± | ± |
| | | DRAFT WHERE APPLICABLE MUST REMAIN WITHIN DIMENSIONS | |
| | | DESIGN DIMENSION | <input checked="" type="checkbox"/> MM <input type="checkbox"/> IN. |
| | | EQUIVALENT DIMENSION | <input type="checkbox"/> MM <input type="checkbox"/> IN. |
| | | IF TWO DIMENSIONS ARE SHOWN THE UPPER IS THE DESIGN DIMENSION, LOWER IS SECONDARY | |

| | | | | | |
|------------------------|------|---|---|---------------------|------------------|
| FIRST ANGLE PROJECTION | | REVISE ONLY ON CAD SYSTEM | | SH. | REV. |
| DRWG BY KN | SIGN | CAD/CAM PROJECT NAME 85040000 611 | THIS DRAWING CONTAINS INFORMATION THAT IS PROPRIETARY TO MOLEX INC. & SHOULD NOT BE USED WITHOUT WRITTEN PERMISSION | | |
| CHK'D BY Ca | SIGN | TITLE 64 pos. Female connector DIN 41612 style B + clip Dimensions | | | |
| APP'D BY JB | SIGN | MOLEX EUROPE | | SHEET NO. 1 OF 1 | DATE 95/11/14 |
| SCALE 2:1 | | PART NO. | DWG NO. SDA-85040-0001 | SIZE B | |

